

*Discover 125 | Discover 150*



*Discover 125 | Discover 150*

# Spare Parts Catalogue



Bajaj Auto Limited  
Akurdi Pune 411 035 India  
Tel +91 20 27472851  
Fax +91 20 27407385  
[www.bajajauto.com](http://www.bajajauto.com)  
CIN L65993PN2007PLC130076

## Notice

---

All information contained in this manual is based on the latest product information at the time of publication. Bajaj Auto Limited accepts no liability for any inaccuracies or omissions in this publication, although every possible care has been taken to make it as complete and accurate as possible. All procedures and specifications subject to change without prior notice. The right is reserved to make such changes at any time without prior notice and without incurring an obligation to make such changes to product manufactured previously. Contact your authorized Bajaj Dealer for the latest information on product improvements incorporated after this manual was issued.

**DOC. NO.: 71111284**

**REV. 02, JUL 15**

---



## Foreword

---

We have pleasure in presenting the Spare Parts Catalogue for 'Discover 125 / 150' Motorcycle. This catalogue has been specially designed to assist you in selecting the correct parts for procurement to maintain 100% availability.

The Bajaj spares are subjected to the stringent quality control standards to ensure longer life of the vehicle. It is therefore necessary that only the Genuine Bajaj Spares are used.

In a continual effort to improve Performance and Efficiency of the vehicles, Specifications, Diagrams, Illustrations and Part Numbers can change without notice. Consequently, the description in this Spare Parts Catalogue cannot therefore be final and binding on us.

The modifications / alterations which are carried out after the issue of this catalogue, will be conveyed to you through our Service Circulars. You are requested to make necessary corrections in the Parts Catalogue as per the circulars so as to keep your catalogue up-to-date. This will ensure the appropriate and speedy delivery of the Spare Parts as the order placed will bear the latest part numbers.

In case, if you need any technical assistance contact the concerned Regional Office or write to us on the following address :

**Bajaj Auto Limited**  
**Service Department**  
 Akurdi, Pune 411 035 India  
 Phone : 020-27406557  
 Fax : 020-27407385

## Instructions

---

**1. How to Read the Catalogue :** Open the catalogue and from the pictorial index locate the group in which the part you want to find is present. Turn over to the concerned page number (as given by pictorial index). Now find out the figure of the part you wish to order. Write down the part number against that particular figure number from the text.

In case, if you have the part number and you need the other details, the part index can be used. The part index (at the end of the catalogue) will give you the figure and page number of the part you wish to order.

**2. How to Order Spare Parts :** The part number and the description of the part required should be invariably mentioned in the order as per the catalogue text.

The latest part number as conveyed through our service circulars should only appear on the order. In case of ordering painted components, colour shade of the components should be mentioned.

The quantity shown against the part number is the quantity per vehicle for that group so that particular quantity should be multiplied by the number of sets required.

**3. Part Number System :** We have used 8 digit system for part numbers. The model or hardware item is indicated by first two digits or alphanumeric, the next two or four digits indicate main group and the last four or two digits indicate serial number in main group or serial number or subgroup of fastener respectively. Thus the part numbers will be indicated by 2-2-4 or 2-4-2 digit system. Understanding this system will enable you to identify the spare parts easily.

**4. Abbreviations :** The following abbreviations are used in this catalogue.

Assly	Assembly	V	Volts
N.I.	Not illustrated	W	Watts
C'case	Crankcase	Accl.	Accelerator
Cyl	Cylinder	Comp.	Complete
O/s	Over size	Fr.	Front
Rr.	Rear	Std.	Standard
L	Length	A/t.	Alternate
R.H.	Right hand	L.H.	Left hand
Hex.	Hexagonal	AR	As required

Index

Plate No.	Description	Page No.
1	Cover Cylinder Head	2
2	Cylinder Head	4
3	Valve	6
4	Camshaft / Tensioner	8
5	Cylinder & Piston	10
6	Crankshaft	12
7	Transmission	14
8	Change Drum / Shift Fork	16
9	Gear Change Mechanism	18
10	Engine Assly & Crankcase RH	20
11	Crankcase LH	22
12	Cover RH	24
13	Cover Magneto	26
14	Clutch	28
15	Kick Starter Mechanism	30
16	Carburettor	32
17	Air Cleaner Complete	34
18	Silencer Assly	36
19	Oil Pump	38
20	Starter Assly	40
21	Magneto / C.D.I. / H.T. Coil	42
22	Seat Assly / Seat Lock	44
23	Engine Mountings	46
24	Frame & Frame Fitting	48
25	Swing Arm / Rear Shock Absorber	50
26	Rider Foot Rest	52

Index

Plate No.	Description	Page No.
27	Pillion Foot Rest / Holder	54
28	Mudguard Front & Rear	56
29	Stand Assembly	58
30	Tyre / Tube / Rim	60
31	Front Hub (Disc Brake)	62
32	Front Master Cylinder	64
33	Front Disc Brake Caliper Assembly	66
34	Front Hub (Drum Brake)	68, 70
35	Rear Hub	72, 74
36	Rear Brake Pedal	76
37	Handle Bar	78, 80
38	Front Fork	84
39	Painted Parts & Decals	86,88
40	Painted Parts & Decals - Discover 125 (Relaunched)	90,92
41	Petrol Tank, Cap Tank & Gauge Fuel	94
42	Fittings - Petrol Tank, Side Cover & Cover Seat	96
43	Meter Assembly	97
44	Control Cables	100
45	Chain Case	102
46	Head Lamp & Fairing	104,106
47	Indicator Light Assembly	108
48	Tail Lamp Assembly / Front Number Plate	110
49	Electrical Equipments	112
50	Tool Kit	114
51	Accessories / Grab Handle	116
	Kits List For Discover 150	117
	Amendment Sheet (Parts Added & Deleted)	121
	Part Index	113

# Pictorial Index

PLATE NO. : 1 COVER CYLINDER HEAD	PAGE NO. 2	PLATE NO. : 2 CYLINDER HEAD	PAGE NO. 4

PLATE NO. : 3 VALVE	PAGE NO. 6	PLATE NO. : 4 CAMSHAFT / TENSIONER	PAGE NO. 8

# Pictorial Index

PLATE NO. : 5 CYLINDER & PISTON	PAGE NO. 10	PLATE NO. : 6 CRANKSHAFT	PAGE NO. 12

PLATE NO. : 7 TRANSMISSION	PAGE NO. 14	PLATE NO. : 8 CHANGE DRUM / SHIFT FORK	PAGE NO. 16

# Pictorial Index

PLATE NO. : 9 GEAR CHANGE MECHANISM	PAGE NO. 18
--	----------------

PLATE NO. : 10 ENGINE ASSLY & CRANKCASE RH	PAGE NO. 20
---	----------------

PLATE NO. : 11 CRANKCASE LH	PAGE NO. 22
--------------------------------	----------------

PLATE NO. : 12 COVER RH	PAGE NO. 24
----------------------------	----------------

# Pictorial Index

PLATE NO. : 13 COVER MAGNETO	PAGE NO. 26
---------------------------------	----------------

PLATE NO. : 14 CLUTCH	PAGE NO. 28
--------------------------	----------------

PLATE NO. : 15 KICK STARTER MECHANISM	PAGE NO. 30
--	----------------

PLATE NO. : 16 CARBURETOR	PAGE NO. 32
------------------------------	----------------

# Pictorial Index

PLATE NO. : 17  
AIR CLEANER COMPLETE

PAGE NO.  
34

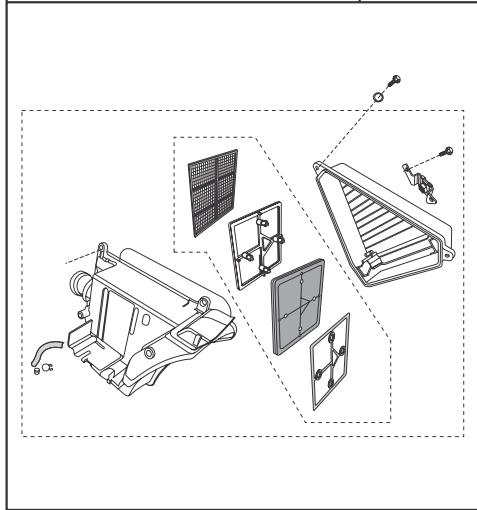


PLATE NO. : 18  
SILENCER ASSLY

PAGE NO.  
36

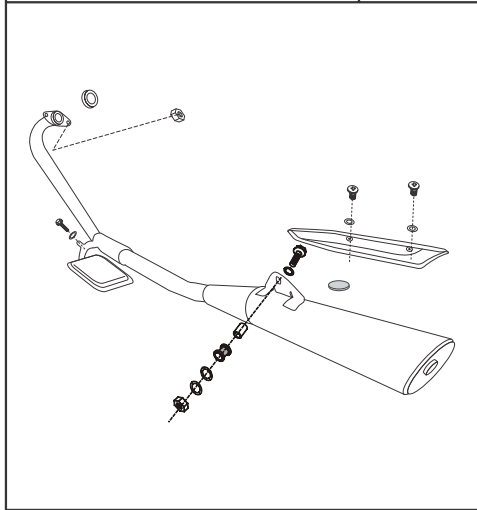


PLATE NO. : 19  
OIL PUMP

PAGE NO.  
38

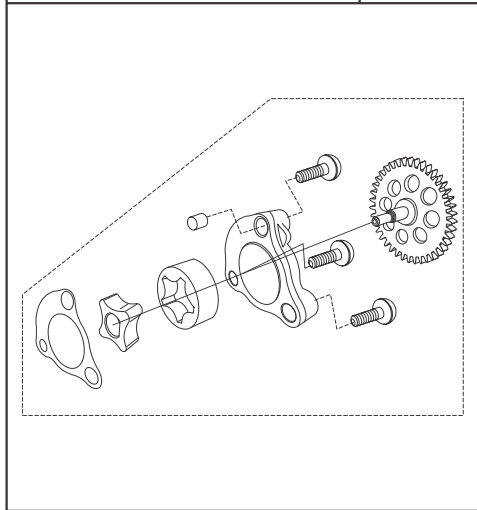
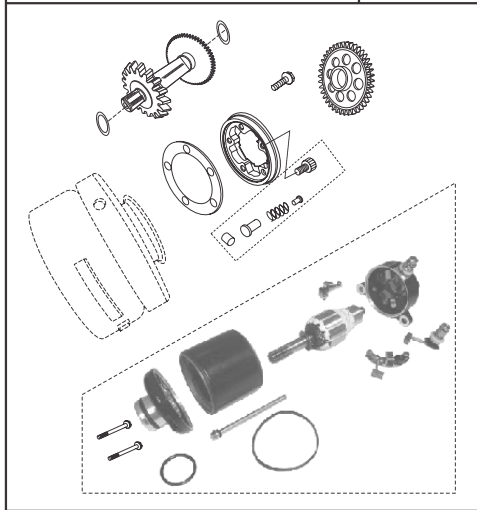


PLATE NO. : 20  
STARTER ASSLY

PAGE NO.  
40



# Pictorial Index

PLATE NO. : 21  
MAGNETO / C.D.I. / H.T. COIL

PAGE NO.  
42

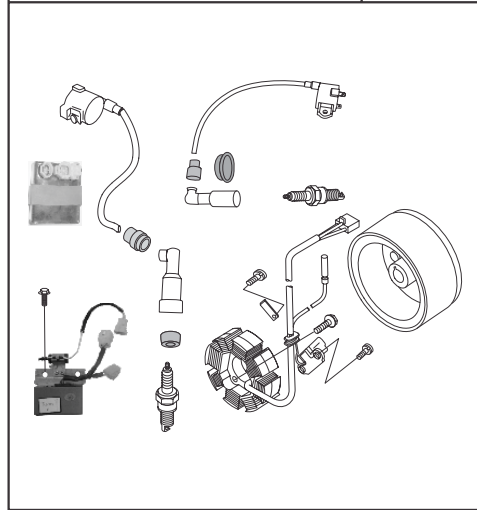


PLATE NO. : 22  
SEAT ASSLY / SEAT LOCK

PAGE NO.  
44

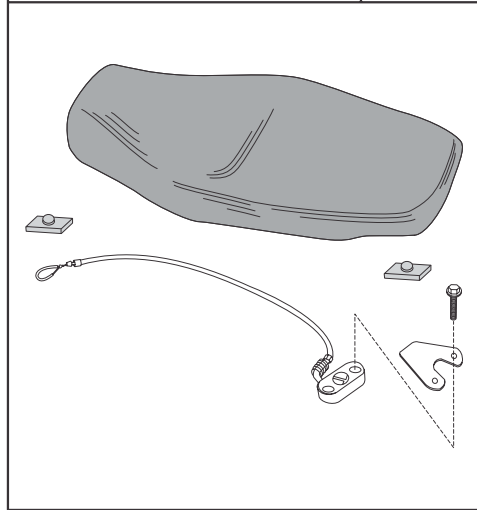


PLATE NO. : 23  
ENGINE MOUNTINGS

PAGE NO.  
46

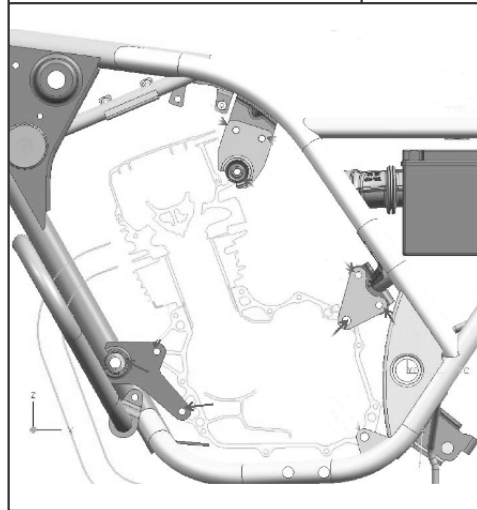
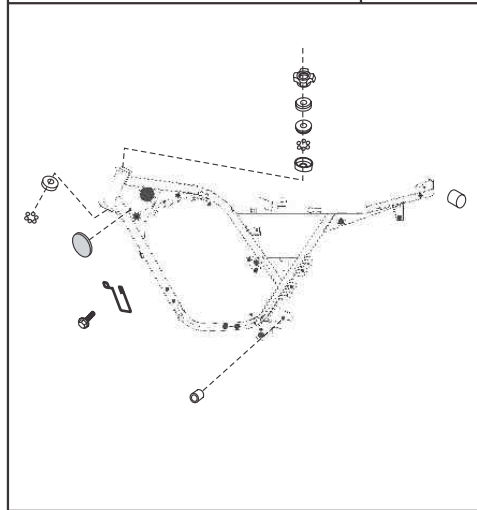


PLATE NO. : 24  
FRAME & FRAME FITTINGS

PAGE NO.  
48



# Pictorial Index

PLATE NO. : 25  
SWING ARM / RR. SHOCK ABSORBER

PAGE NO.  
50

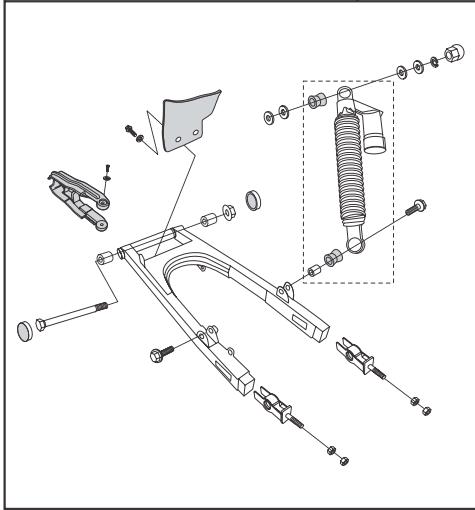


PLATE NO. : 26  
RIDER FOOT REST

PAGE NO.  
52

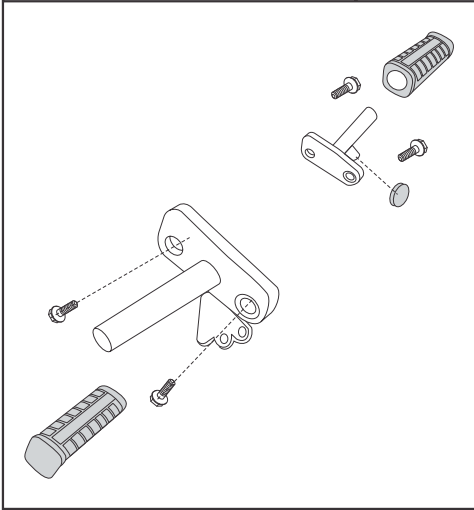


PLATE NO. : 27  
PILLION FOOT REST / HOLDER

PAGE NO.  
54

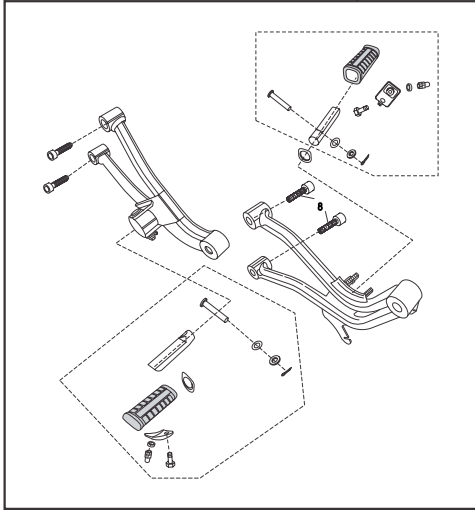
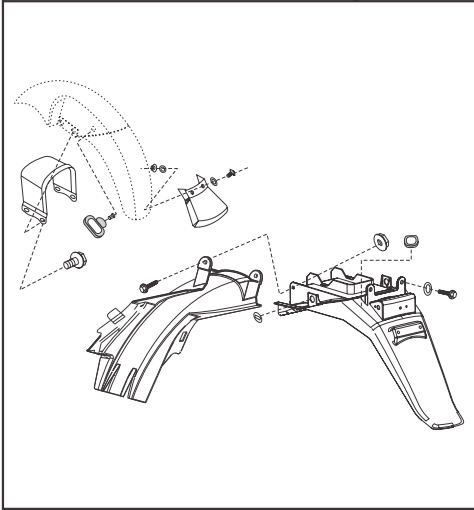


PLATE NO. : 28  
MUDGUARD FRONT & REAR

PAGE NO.  
56



# Pictorial Index

PLATE NO. : 29  
STAND ASSLY

PAGE NO.  
58

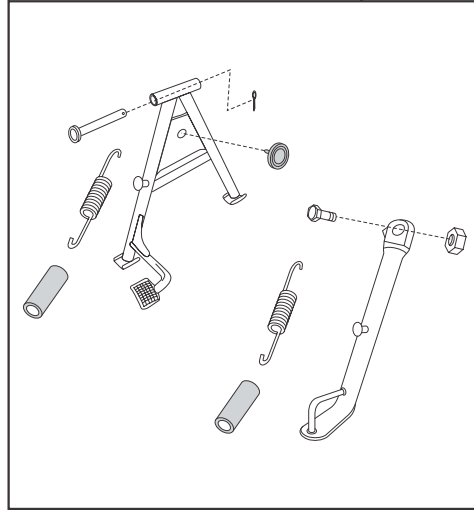


PLATE NO. : 30  
TYRE / TUBE / RIM

PAGE NO.  
60

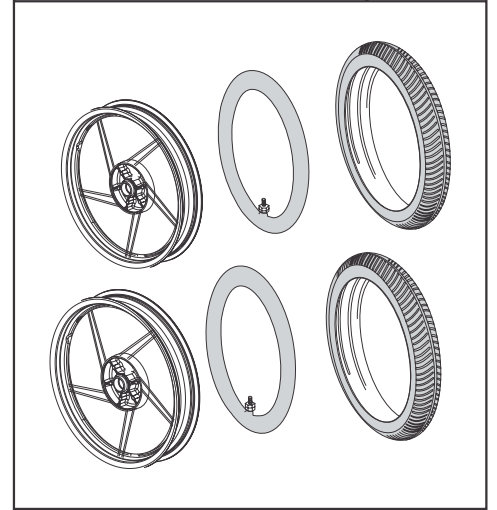


PLATE NO. : 31  
FRONT HUB

PAGE NO.  
62, 64

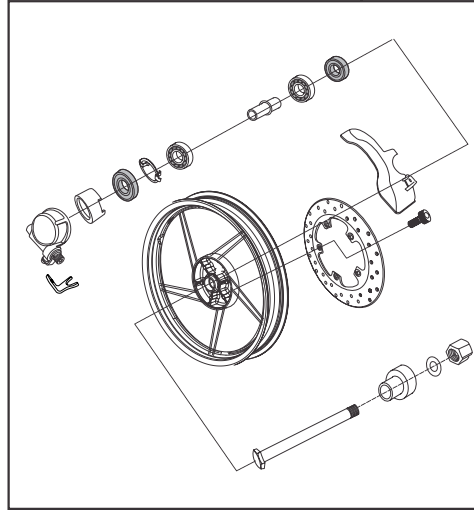
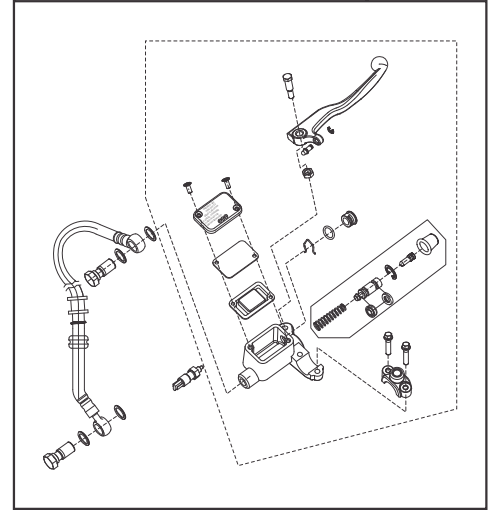


PLATE NO. : 32  
FRONT MASTER CYLINDER

PAGE NO.  
66, 68



# Pictorial Index

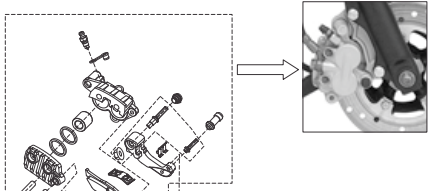
PLATE NO. : 33 FRONT DISC BRAKE CALIPER ASSLY	PAGE NO. 70
 <ul style="list-style-type: none"> <li>PISTON SEAL</li> <li>DUST SEAL</li> <li>BLEEDER CAP</li> <li>PROTECTION BOOT</li> <li>INSULATOR</li> <li>CALIPER PISTON</li> <li>BLEEDER SCREW</li> <li>PAD SPRING</li> </ul>	

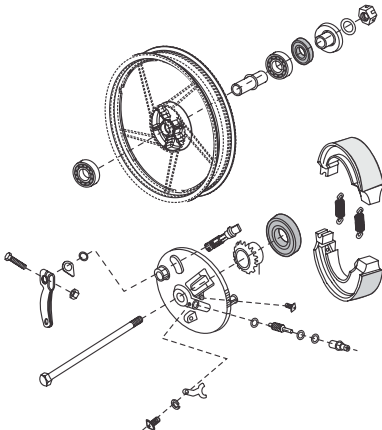
PLATE NO. : 34 REAR HUB	PAGE NO. 72, 74
	

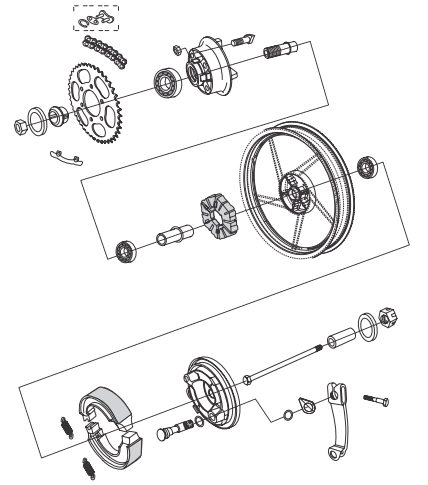
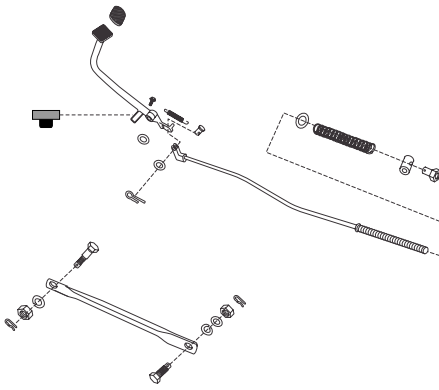
PLATE NO. : 35 REAR HUB	PAGE NO. 72, 74
	

PLATE NO. : 36 REAR BRAKE PEDAL	PAGE NO. 76, 78
	

# Pictorial Index

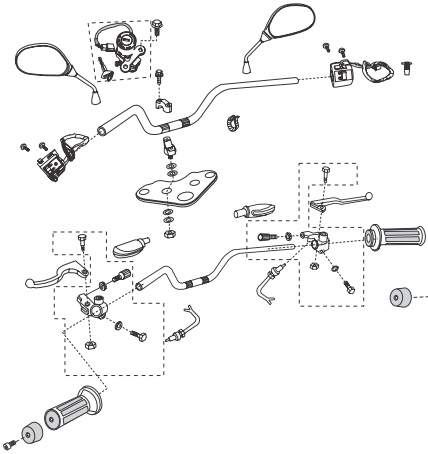
PLATE NO. : 37 HANDLE BAR	PAGE NO. 80,82,84
	

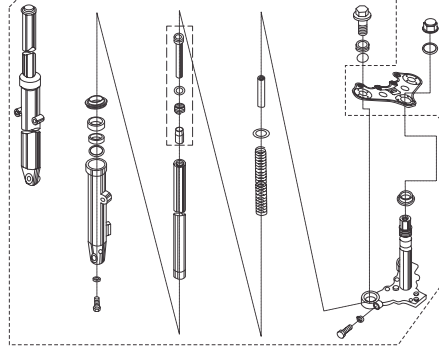
PLATE NO. : 38 FRONT FORK	PAGE NO. 84
	

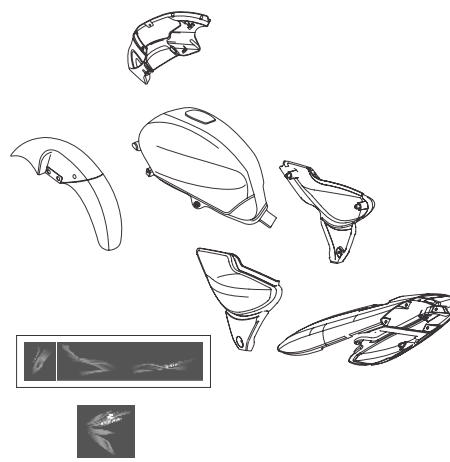
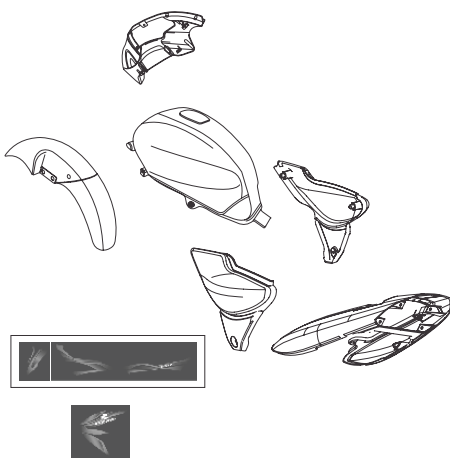
PLATE NO. : 39 PAINTED PARTS AND DECALS DISCOVER 125 (RELAUNCHED)	PAGE NO. 86, 88
	

PLATE NO. : 40 PAINTED PARTS AND DECALS DISCOVER 150 (RELAUNCHED)	PAGE NO. 90, 92
	

# Pictorial Index

PLATE NO. : 41 PETROL TANK, CAP TANK AND GAUGE FUEL	PAGE NO. 94

PLATE NO. : 42 FITTINGS - PETROL TANK, SIDE COVERS & COVER SEAT	PAGE NO. 96

PLATE NO. : 43 METER ASSEMBLY	PAGE NO. 98

PLATE NO. : 44 CONTROL CABLES	PAGE NO. 100

# Pictorial Index

PLATE NO. : 45 CHAIN CASE	PAGE NO. 102

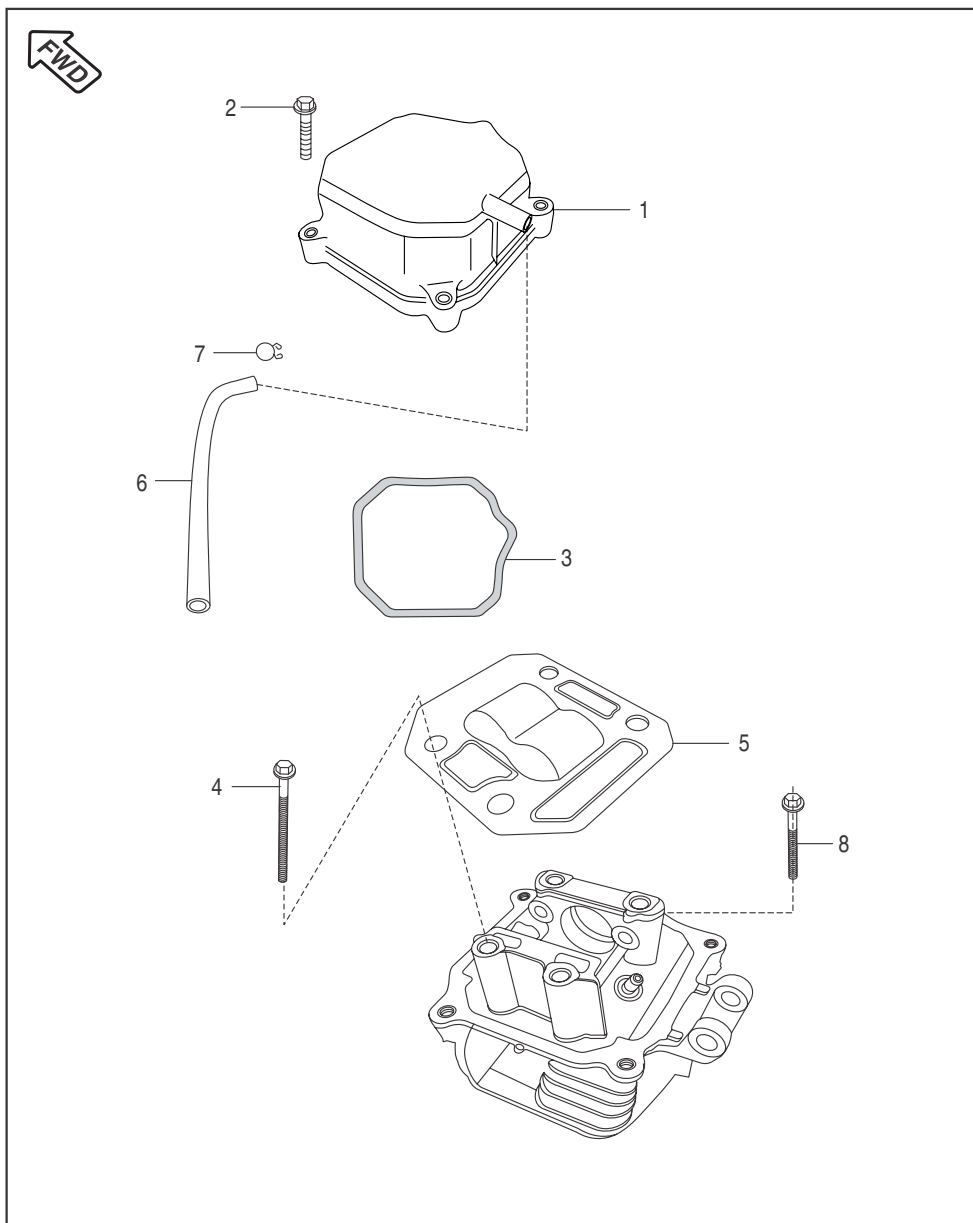
PLATE NO. : 46 HEAD LAMP & FAIRING	PAGE NO. 104, 106

PLATE NO. : 47 INDICATOR LIGHT ASSEMBLY	PAGE NO. 108

PLATE NO. : 48 TAIL LAMP ASSLY / FRONT NUMBER PLATE	PAGE NO. 110

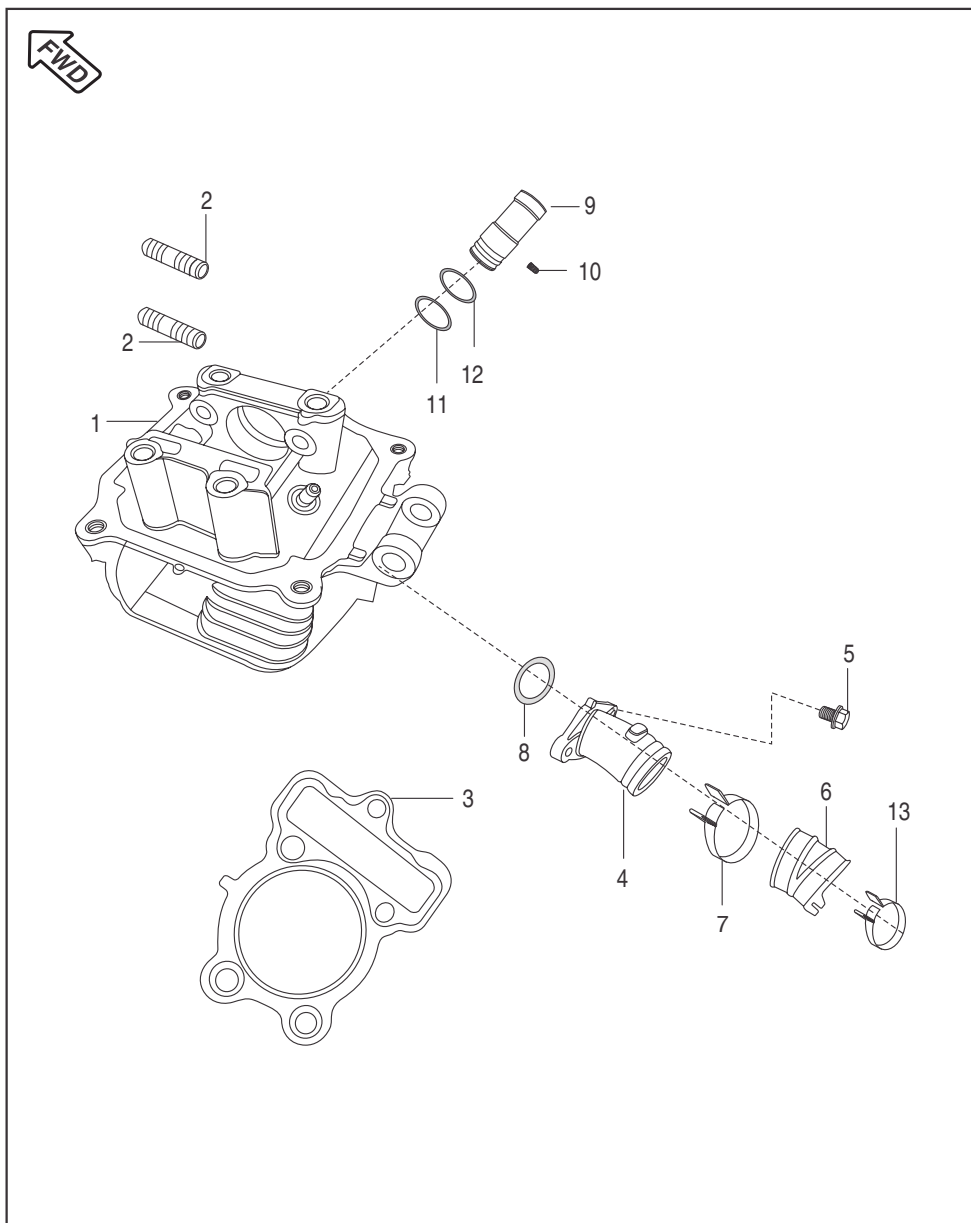


Cover Cylinder Head



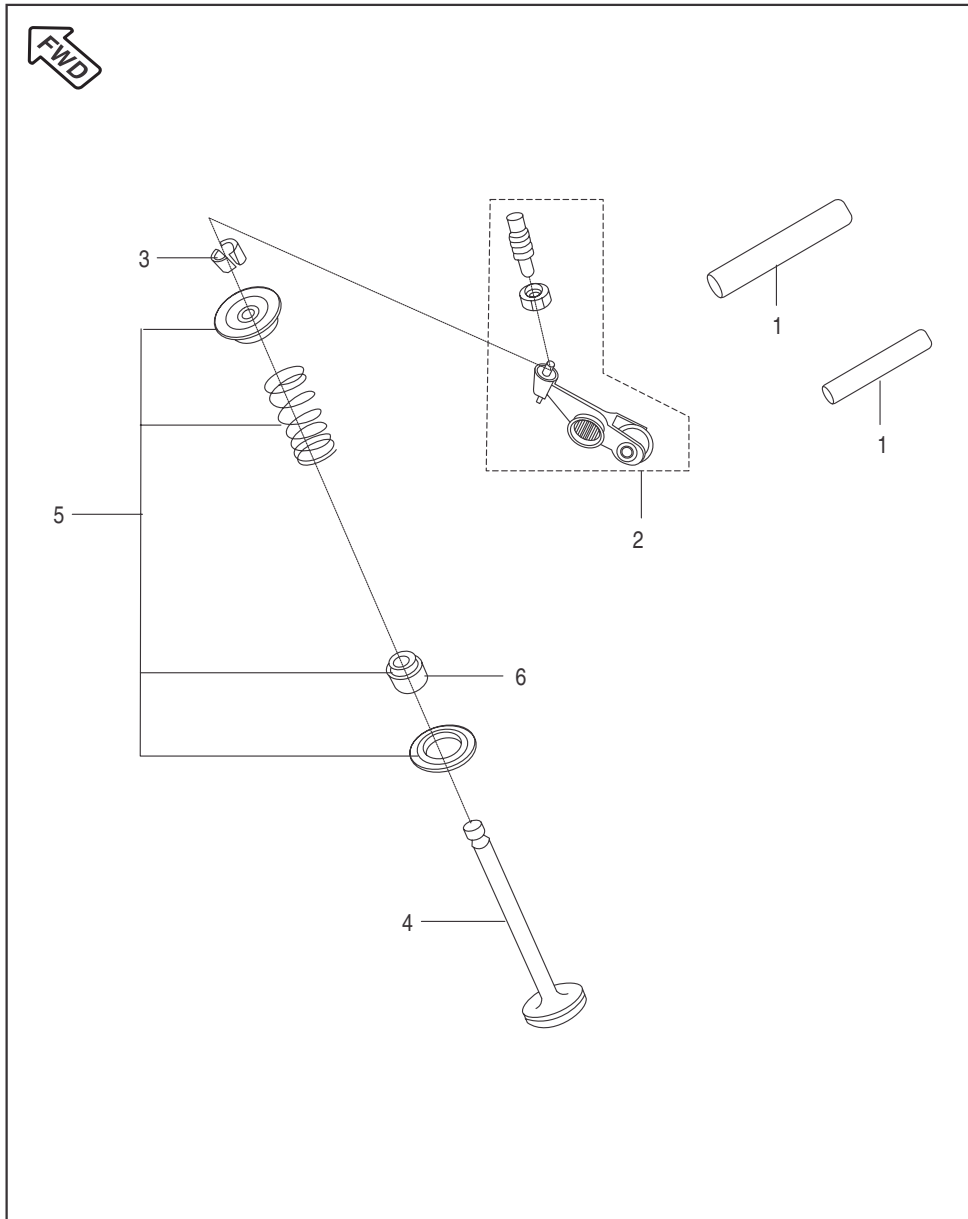
No.	Part No.	Description	DIS 125 DRUM	DIS 125 DISC	DIS 150 DISC	Remarks
1	JZ 5110 21	Cover Cylinder Head	1	1	1	Re-introduced
	JZ 5110 29	Cover Cylinder Head	1	1	--	
2	59 0400 38	Bolt Flange	4	4	4	
3	JD 5110 10	Gasket Head Cover	1	1	1	
4	JA 5110 08	Bolt Head Mounting	4	4	4	
5	JZ 5110 20	Plate Cylinder Head	1	1	1	Refer Ser Cir-F-35
	PA 5110 39	Plate Cylinder Head	1	1	1	
6	JZ 5810 04	Hose C' case Breather	1	1	1	
7	JA 5110 29	Clamp	2	2	2	
8	59 0400 50	Flange Bolt	1	1	1	For Head Mtg.

Cylinder Head



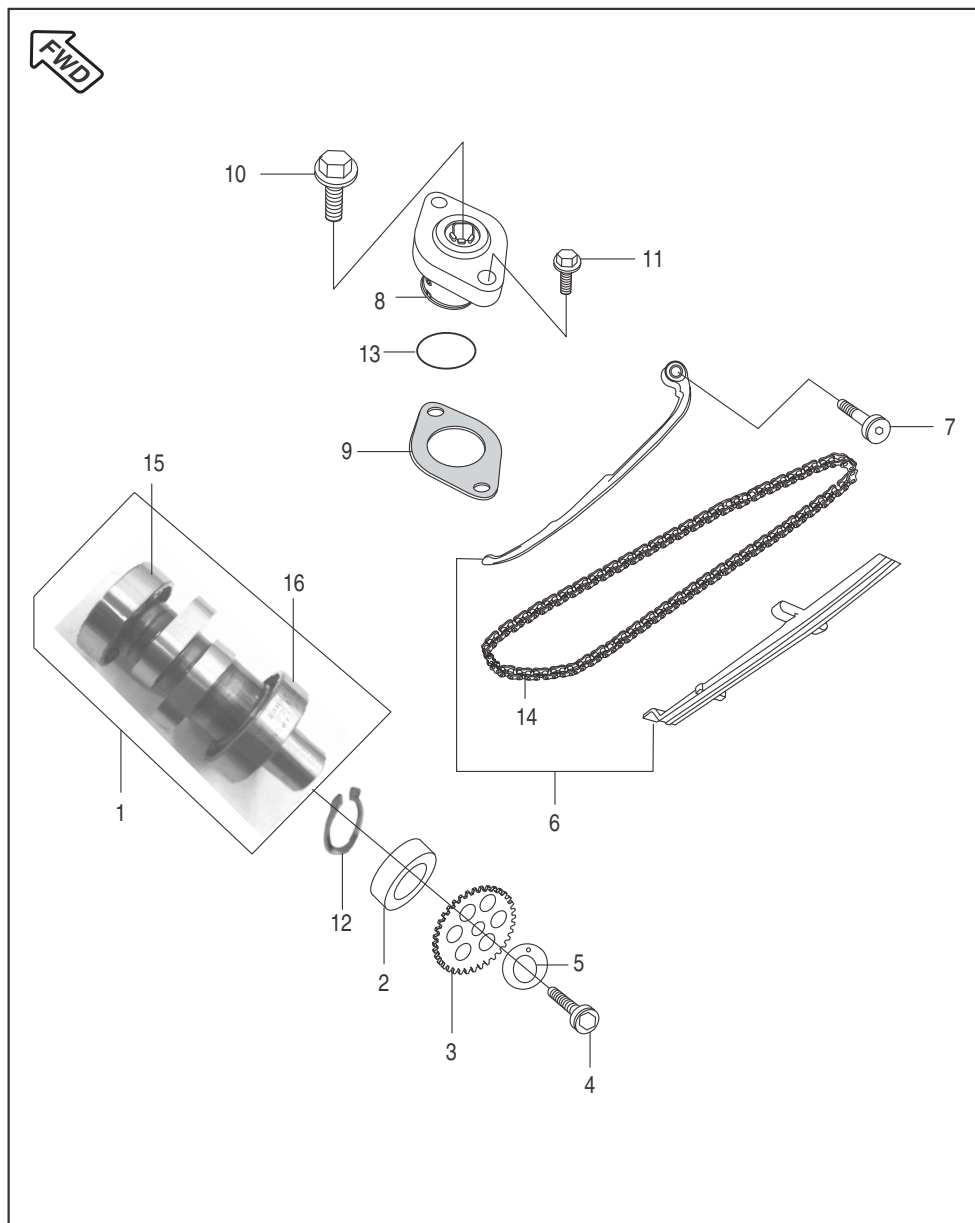
No.	Part No.	Description	DIS 125 DRUM	DIS 125 DISC	DIS 150 DISC	Remarks
1	36 JZ00 10	Head Cylinder Complete	--	--	1	With studs & Valve Guide
	36 JZ00 27	Head Cylinder Complete	1	1	--	
	36 JZ01 65	Head Cylinder Complete	1	1	--	
2	JA 5110 28	Stud	2	2	2	
3	JZ 5110 16	Gasket Cylinder Head	--	--	1	
	JD 5110 08	Gasket Cylinder Head	1	1	--	
4	JZ 5814 02	Intake Manifold	1	1	1	
5	JA 5814 06	Bolt Flange	2	2	2	
6	JZ 5812 10	Sleeve (Carb - Duct Rubber)	1	1	1	
7	DP 1011 98	Clamp (39mm)	1	1	1	
8	39 1283 21	'O' Ring (Intake Pipe)	1	1	1	
9	JB 5110 18	Sleeve Spark Plug R.H	1	1	1	
10	39 2608 01	Grub Screw	1	1	1	
11	39 2629 21	'O' Ring Sleeve	1	1	1	
12	39 1283 21	'O' Ring Sleeve	1	1	1	
13	AA 1210 45	Clamp	1	1	1	

Valve



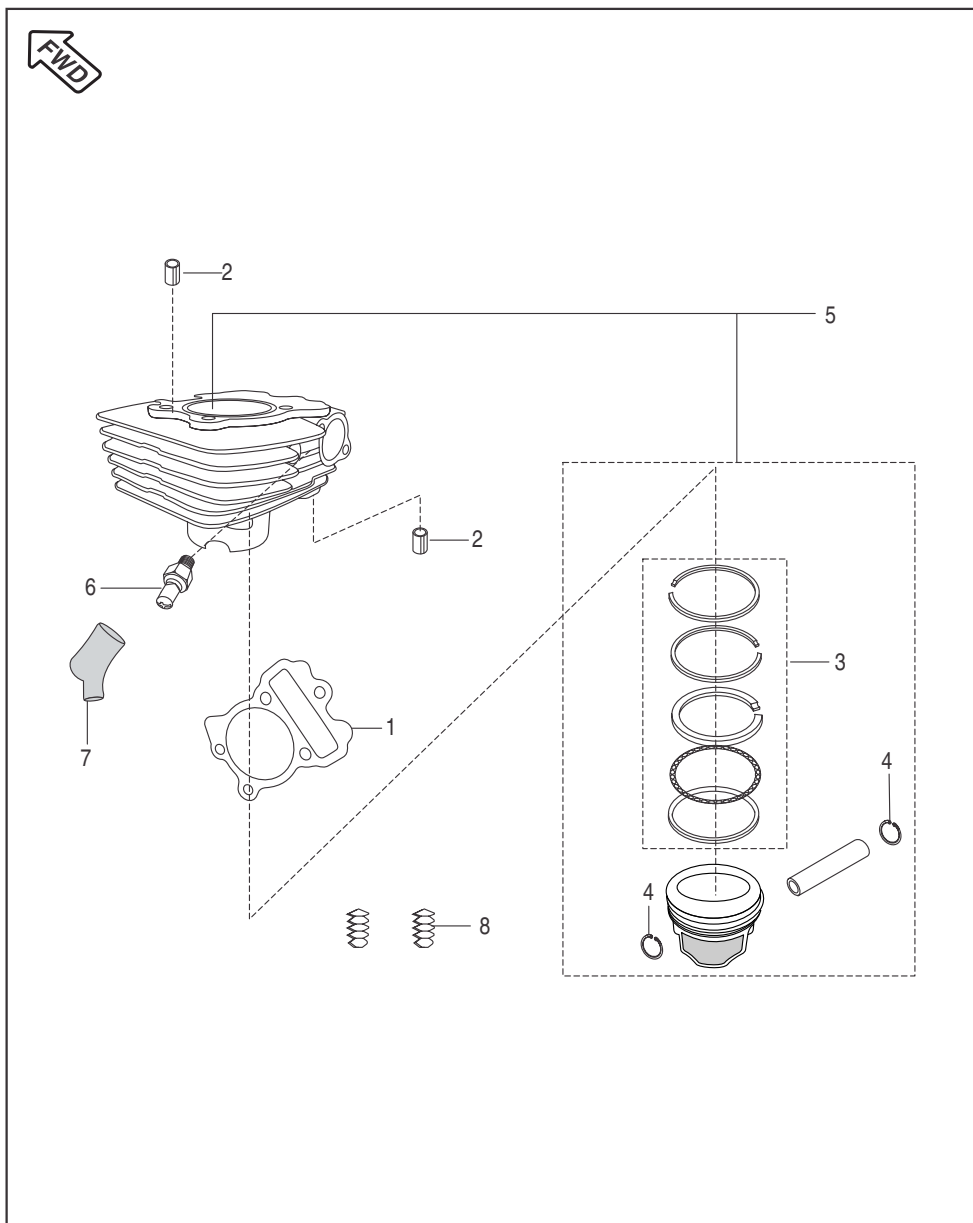
No.	Part No.	Description	DIS 125 DRUM	DIS 125 DISC	DIS 150 DISC	Remarks
1	JA 5112 11	Shaft Rocker Arm Exhaust	2	2	2	
2	JZ 5112 03	Rocker Arm with Roller	2	2	2	
3	DG 1010 29	Cotter Valve (Collet)	4	4	4	
4	36 JZ00 01	Valve Kit	1	1	1	Refer Page No. 112
5	36 JZ00 04	Valve Repair Kit	1	1	1	Refer Page No. 112
6	39 2017 19	Seal Valve Stem	2	2	2	

Camshaft / Tensioner



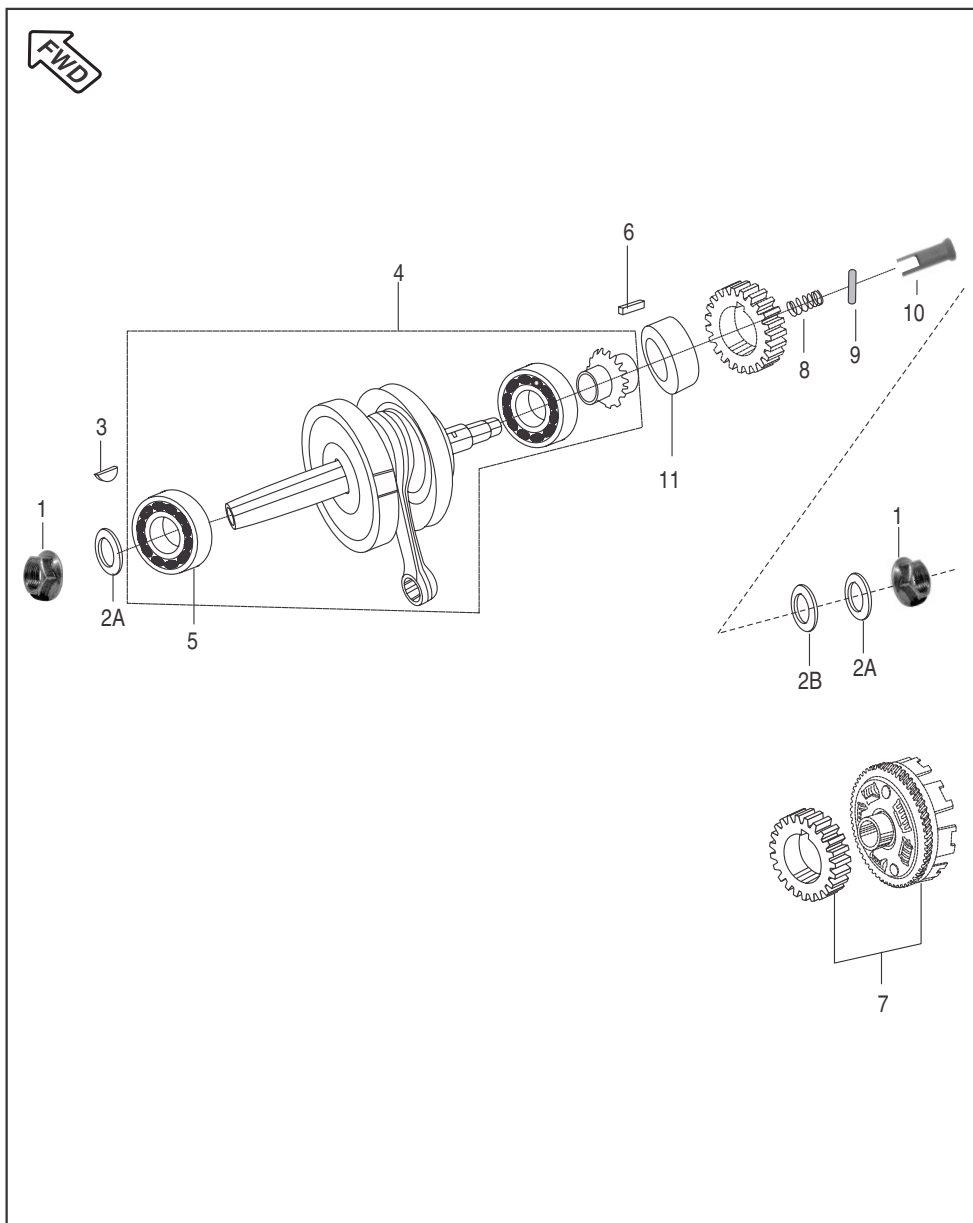
No.	Part No.	Description	DIS 125 DRUM	DIS 125 DISC	DIS 150 DISC	Remarks
1	JZ 5110 04	Camshaft Complete	1	1	1	
2	JA 5112 16	Spacer Cam Sprocket	1	1	1	
3	DS 1012 76	Sprocket Cam Shaft	1	1	1	
4	39 2198 04	Bolt Allen Bolt	1	1	1	
5	DH 1010 48	Special Washer ('O' Washer)	1	1	1	
6	36 JE00 03	Guide Chain Kit	1	1	1	Refer Page No. 112
7	DH 1013 92	Bolt Special	1	1	1	
8	JA 5210 17	Adjuster Assly Chain	1	1	1	
	JV 5210 03	Adjuster Assly Chain	1	1	--	Re-introduced
9	CS 1011 28	Gasket	1	1	1	
10	JA 5210 18	Bolt	1	1	1	
11	JA 5210 19	Flange Bolt	2	2	2	
	39 1673 04	Flange Bolt	2	2	--	Re-introduced
12	39 0594 17	Circlip for Camshaft	1	1	1	
13	39 2669 21	'O' Ring (Tensioner)	1	1	1	
14	DS 1099 05	Cam Chain (94 Link)	1	1	1	
15	39 2683 20	Bearing Ball	1	1	1	
16	39 1880 20	Bearing Ball	1	1	1	

Cylinder and Piston



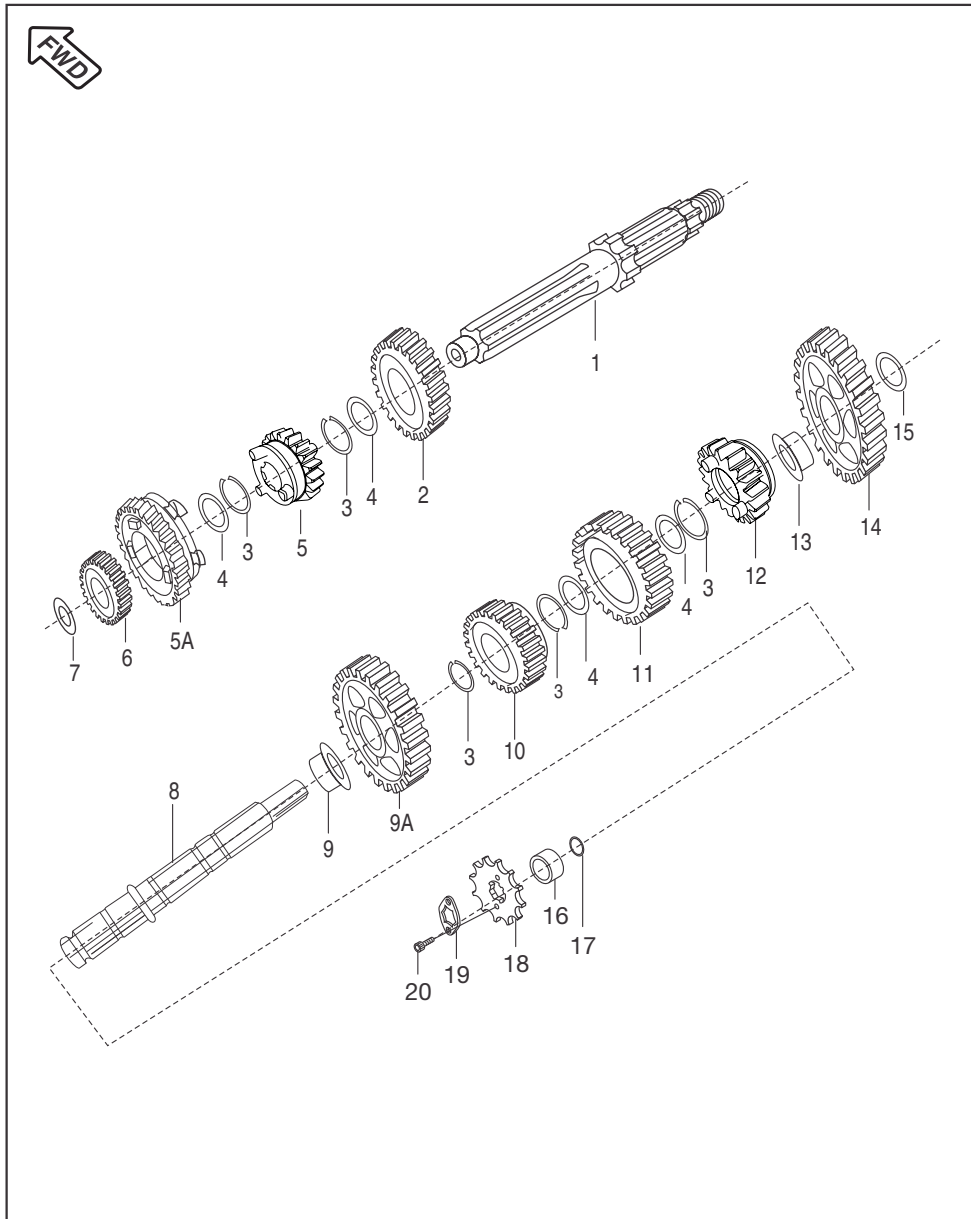
No.	Part No.	Description	DIS 125 DRUM	DIS 125 DISC	DIS 150 DISC	Remarks
1	JD 5210 02	Gasket Cylinder	1	1	1	
2	39 1000 06	Dowel Pin	4	4	4	
3	36 JZ00 05	Piston Ring Set	--	--	1	Refer Page No. 111
	36 JE00 02	Piston Ring Set	1	1	--	
4	DP 1011 65	Wire Circlip	2	2	2	
5	36 JZ00 02	Cylinder Block / Piston Assly.	--	--	1	Molycoat Piston
	36 JZ00 24	Cylinder Block / Piston Assly.	1	1	--	
	36 JZ01 66	Cylinder Block / Piston Assly.	1	1	--	Re-introduced
6	JW 3514 00	Thermal Sensor	1	1	1	
7	JB 4022 02	Grommet for Thermal Sensor	1	1	1	
8	JA 5210 15	Damper	3	3	3	

Crankshaft



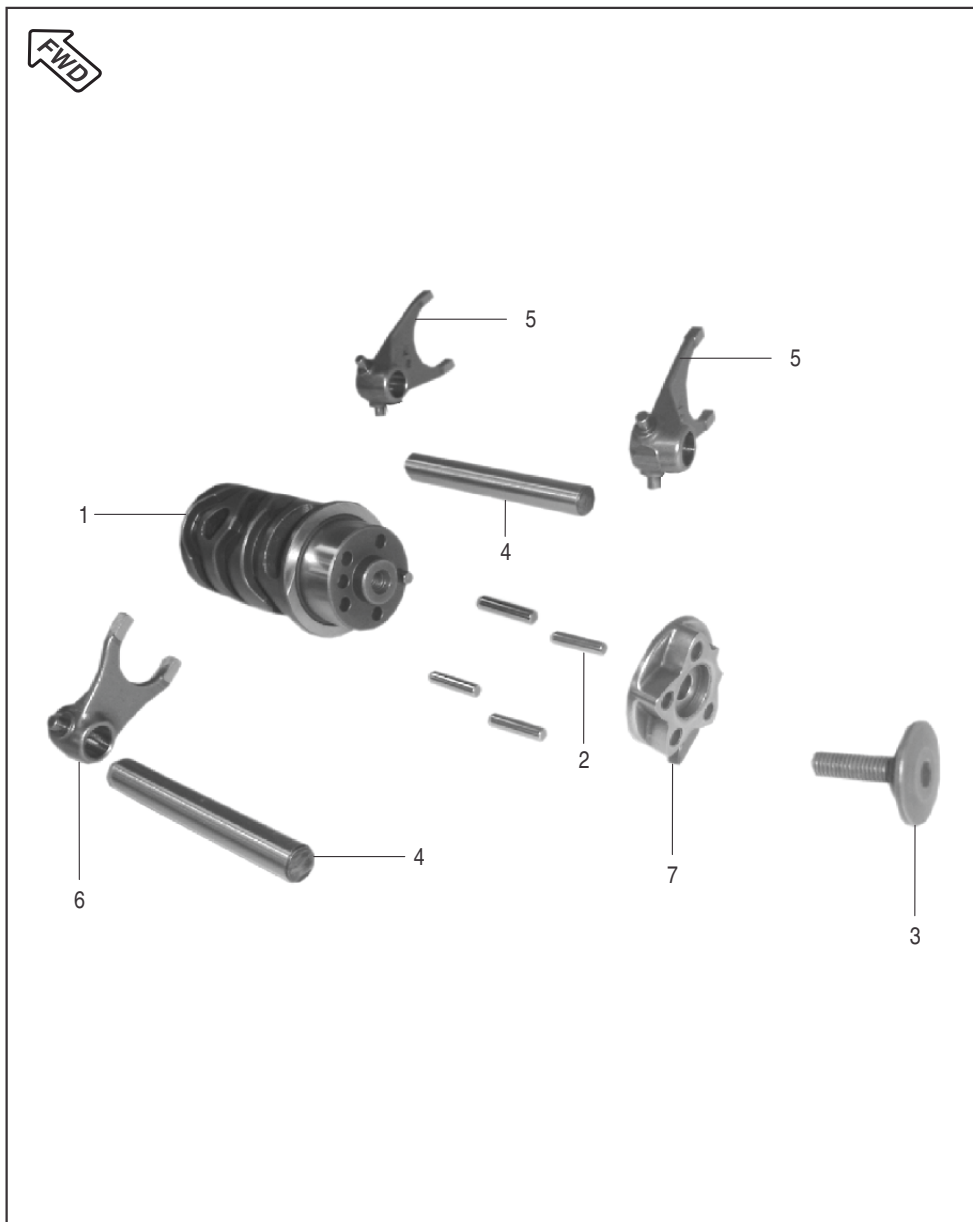
No.	Part No.	Description	DIS 125 DRUM	DIS 125 DISC	DIS 150 DISC	Remarks
1	59 1500 14	Flange Nut	2	2	2	
2A	59 1200 03	Belleville Washer	2	2	2	
2B	59 1100 08	Plain Washer	1	1	1	
3	31 1011 73	Woodruff Key	1	1	1	
4	JZ 5310 03	Crank Shaft Assly	--	--	1	
	JZ 5310 07	Crank Shaft Assly	1	1	--	
5	JE 5310 01	Ball Bearing	--	--	2	
	39 1864 20	Ball Bearing	2	2	--	
6	DS 1011 54	Parallel Key	1	1	1	
7	36 JZ00 14	Set Primary Drive / Driven	--	--	1	Refer Page No.111
	36 JZ00 23	Set Primary Drive / Driven	1	1	--	Refer Page No.111
8	JA 531012	Spring	1	1	1	
9	JA 5310 15	Parallel Pin	1	1	1	
10	JB 5310 21	Plunger Oil	1	1	1	
11	JD 5310 04	Spacer Crankshaft Clutch Side	1	1	1	

Transmission



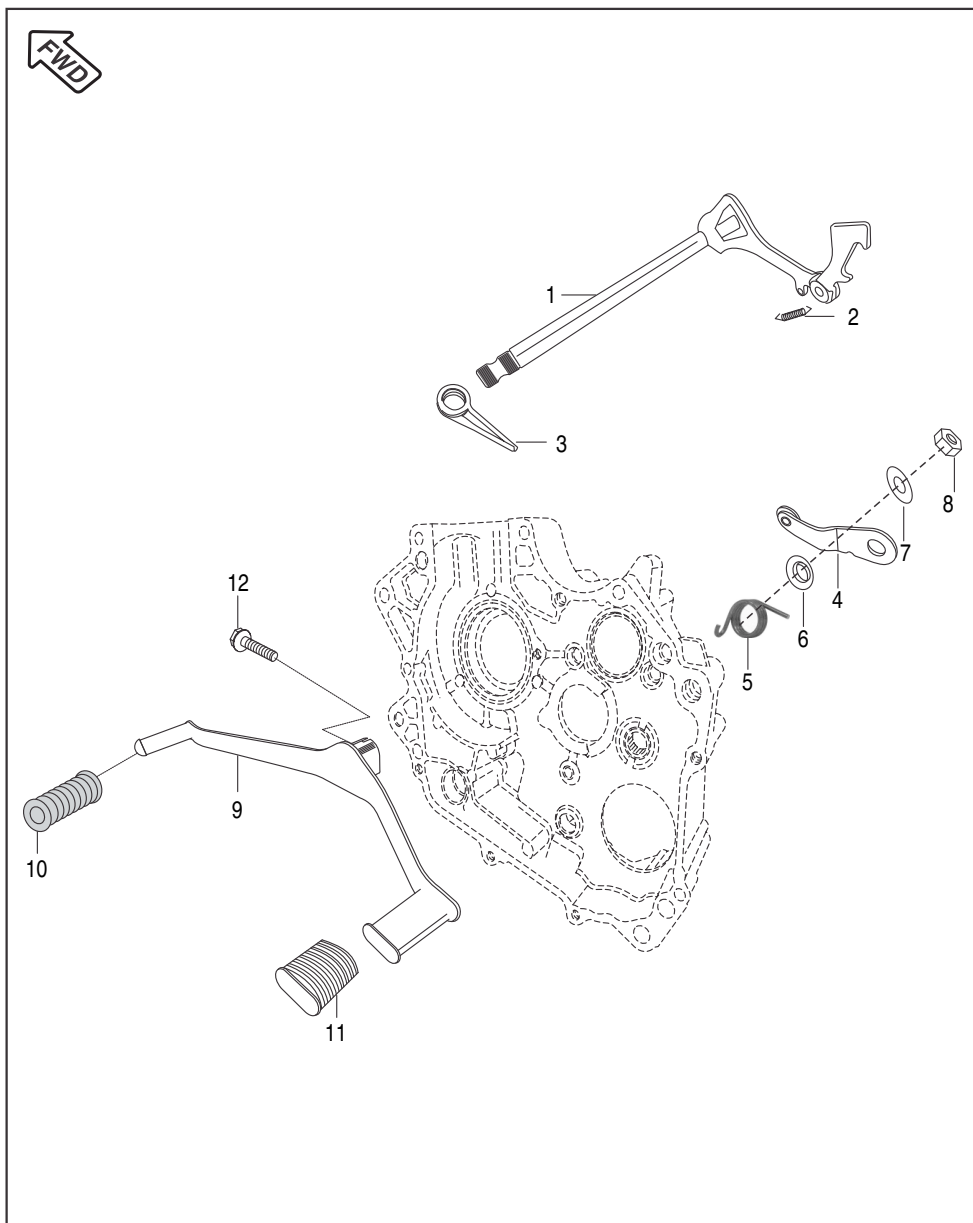
No.	Part No.	Description	DIS 125 DRUM	DIS 125 DISC	DIS 150 DISC	Remarks
1	JZ 5510 01	Shaft I/P Transmission	--	--	1	
	JZ 5510 06	Shaft I/P Transmission-Forged	--	--	1	From 21.11.2010
	JZ 5510 10	Shaft I/P W/O Gun hole	1	1	--	
2	JZ 5512 02	Gear 4th Drive	1	1	1	
3	39 0987 17	Ring Snap	1	1	5	
4	JA 5510 02	Spline Washer	1	1	4	
	JZ 5512 01	Gear 3rd Drive	1	1	1	
	JE 5512 01	Gear 3rd Drive	--	--	1	F-28 dated 10.08.12
	JE 5512 09	Gear 3rd Drive	1	1	--	Re-introduced
5A	JZ 5512 03	Gear 5th Drive	--	--	1	Upto 21.11.2010
	JZ 5512 13	Gear 5th Drive-Forged	1	1	1	
6	JZ 5512 00	Gear 2nd Drive	1	1	1	
7	JA 5510 04	Washer Thrust 2nd Drive	1	1	1	
8	JZ 5510 03	Shaft Output Transmission	--	--	1	Upto 21.11.2010
	JZ 5510 08	Shaft O/P Transmission-Forged	1	1	1	
9	JZ 5512 10	Bush 2nd Driven	1	1	1	
9A	JZ 5512 06	Gear 2nd Driven	1	1	1	
10	JZ 5512 09	Gear 5th Driven	--	--	1	Upto 21.11.2010
	JZ 5512 11	Gear 5th Driven-Forged	1	1	1	
11	JZ 5512 07	Gear 3rd Driven	--	--	1	Upto 21.11.2010
	JZ 5512 12	Gear 3rd Driven-Forged	1	1	1	
	JE 5512 06	Gear 3rd Driven	--	--	1	F-28 dated 10.08.12
	JE 5512 10	Gear 3rd Driven	1	1	--	Re-introduced
12	JZ 5512 08	Gear 4th Driven	1	1	1	
13	JZ 5512 05	Bush 1st Driven	1	1	1	
14	JZ 5512 04	Gear 1st Driven	1	1	1	
15	JA 5510 08	Washer Thrust 1st Driven	1	1	1	
16	JA 5510 09	Collar Sprocket Drive	1	1	1	
17	59 2100 24	'O' Ring Collar Sprocket	1	1	1	
18	JZ 5510 04	Sprocket Drive	1	1	1	
19	DU 1012 13	Plate Lock Sprocket	1	1	1	
20	39 1981 04	Socket Head Bolt	2	2	2	

Change Drum / Shift Fork

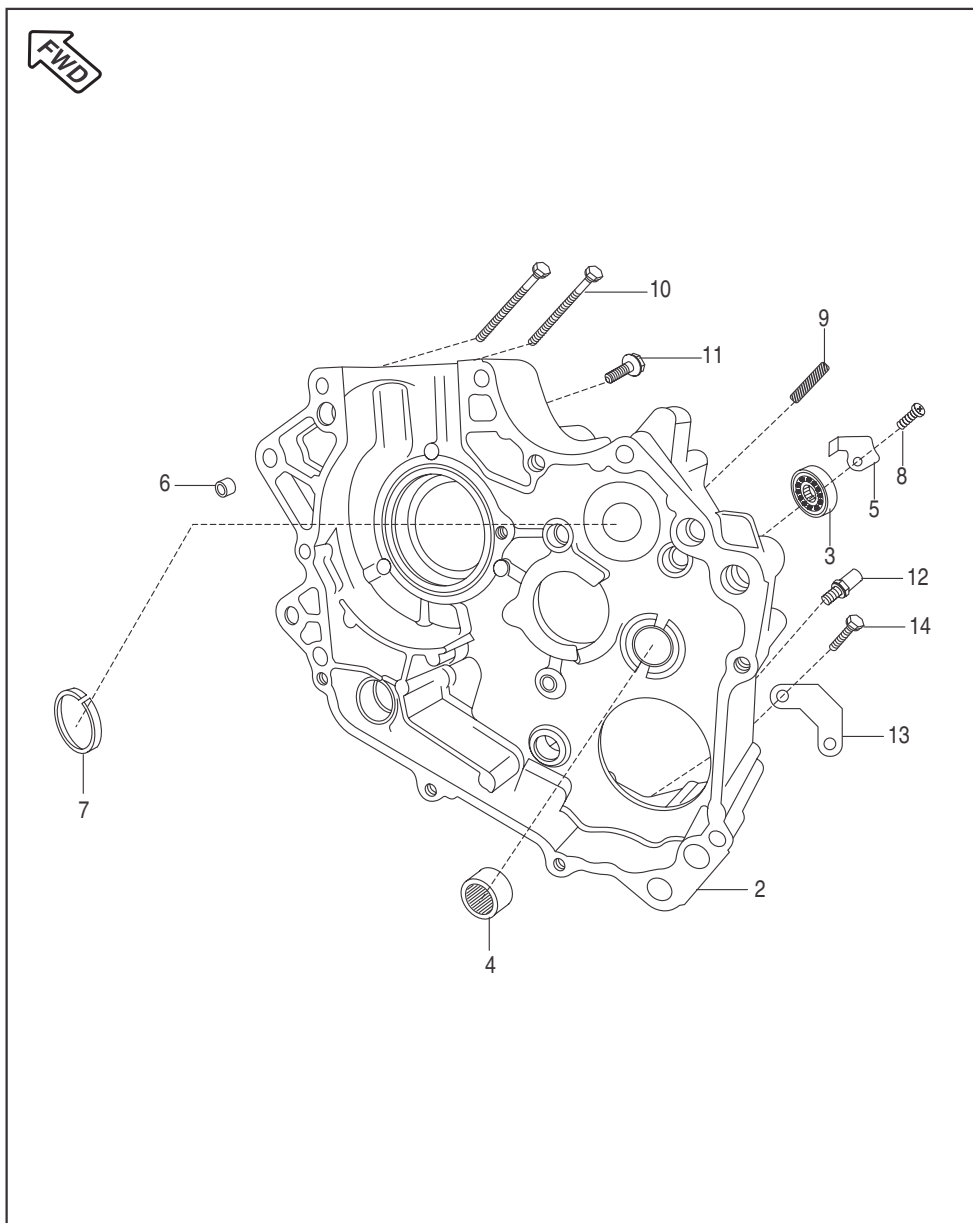


No.	Part No.	Description	DIS 125 DRUM	DIS 125 DISC	DIS 150 DISC	Remarks
1	JZ 5610 00	Drum Complete Gear Shift	1	1	1	Re-introduced
	PA 5610 00	Drum Complete Gear Shift	1	1	--	
2	39 0992 06	Dowel (Pin Drum Change)	4	4	4	
3	JD 5610 11	Special Bolt	1	1	1	
4	JD 5610 06	Shaft Gear Shift Fork	2	2	2	
5	JD 5610 04	Fork Gear Shift Output	2	2	2	
6	JZ 5610 02	Fork Gear Shift Input	1	1	1	
7	JD 5610 02	Cam Drum Change	1	1	1	

Gear Change Mechanism



No.	Part No.	Description	DIS 125 DRUM	DIS 125 DISC	DIS 150 DISC	Remarks
1	JW 5612 05	Lever Complete Gear Shift	1	1	1	Re-introduced
	52 JZ02 64	Lever Complete Gear Shift	1	1	--	
2	JW 5612 06	Extension Spring	1	1	1	
3	JW 5612 08	Spring Gear Shift Return	1	1	1	
4	JD 5612 03	Inhibitor Complete Gear Shift	1	1	1	
5	JD 5612 04	Spring Inhibitor	1	1	1	
6	JA 5612 09	Step Washer (Collar)	1	1	1	
7	39 2704 11	Plain Washer	1	1	1	
8	39 0817 15	Nut	1	1	1	
9	JZ 5614 01	Lever Complete Gear Shifter (Gear Pedal)	1	1	1	
10	DH 1015 09	Damper	1	1	1	
11	DG 1013 39	Damper	1	1	1	
12	JA 5612 11	Flange Bolt	1	1	1	



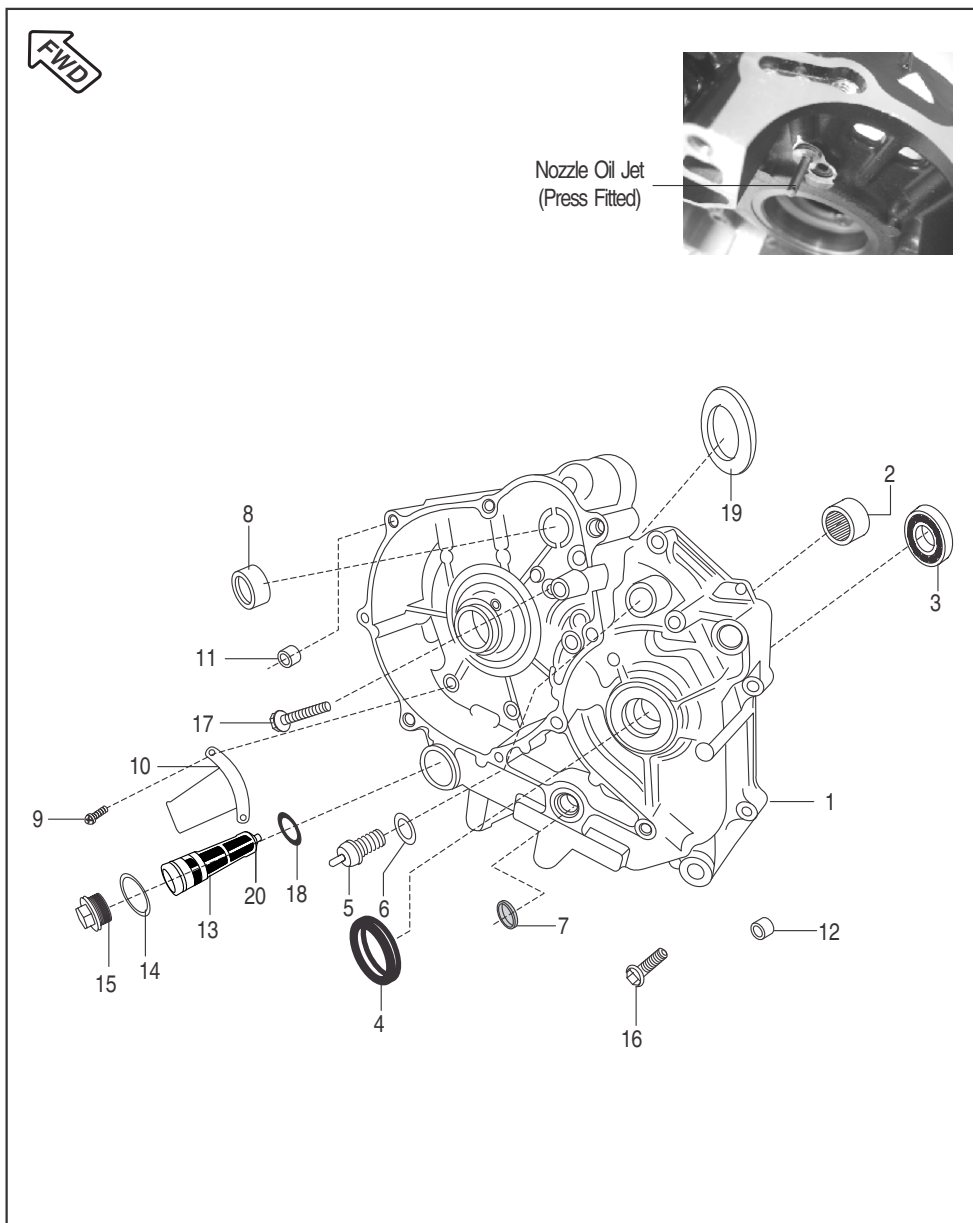
 Front Wheel Direction

Engine Assembly / Crankcase RH

No.	Part No.	Description	DIS 125 DRUM	DIS 125 DISC	DIS 150 DISC	Remarks
1	JZ 5010 01	Engine Assly	1	1	--	N.I.
	JZ 5010 00	Engine Assly	--	--	1	N.I.
	JZ 5010 09	Engine Assly	1	1	--	N.I. Re-introduced
2	36 JZ00 29	Crankcase Clutch Side	1	1	--	NRB + Bush + Stud
	36 JZ00 09	Crankcase Clutch Side	--	--	1	NRB + Bush + Stud
	36 JZ01 68	C'case Clutch Side NRB + Bush	1	1	--	Re-introduced
3	59 2000 36	Bearing Ball	1	1	1	For I/P Shaft.
4	JA 5410 11	Needle Roller Bearing	1	1	1	For O/P Shaft.
5	JA 5410 10	Stopper Plate	1	1	1	
6	39 1000 06	Dowel Pin	2	2	2	
7	DU 1010 85	Bushing	1	1	1	
8	DH 1013 80	Screw	1	1	1	
9	52 JA00 27	Stud Inhibitor Mounting	1	1	1	
10	JA 5412 35	Bolt	2	2	2	Crankcase Mtg.
	39 1740 04	Bolt	2	2	--	Re-introduced
11	59 0400 38	Bolt Flange	1	1	1	Crankcase Mtg.
12	JA 5410 14	Bolt Shift Change	1	1	1	
13	JA 5410 12	Guide Kick	1	1	1	
14	39 1964 04	Hexagon Bolt	2	2	2	

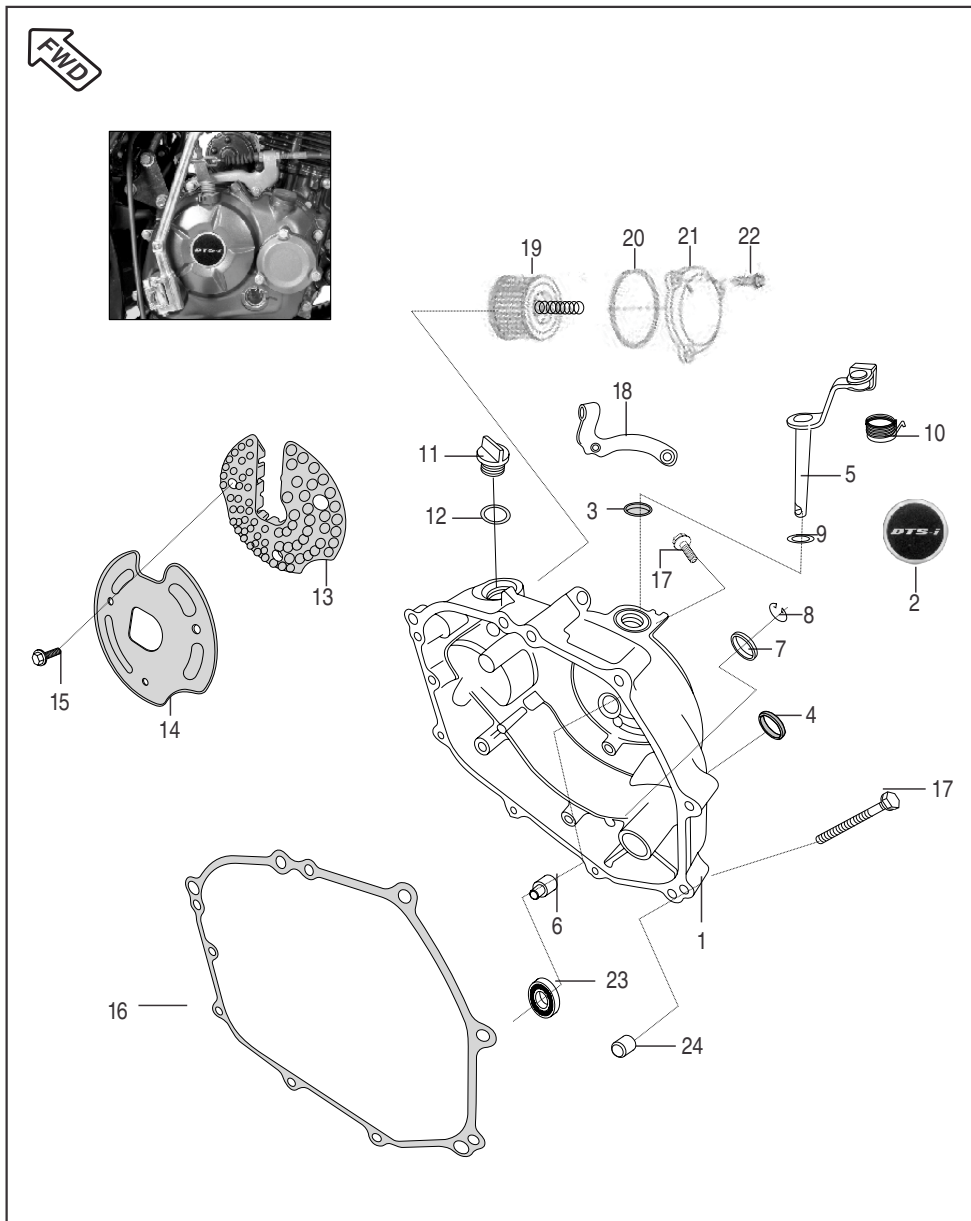
Brand ID: 001MC643 (DISCOVER 150)  
Brand ID: 001MC645 (DISCOVER 125)

Crankcase LH

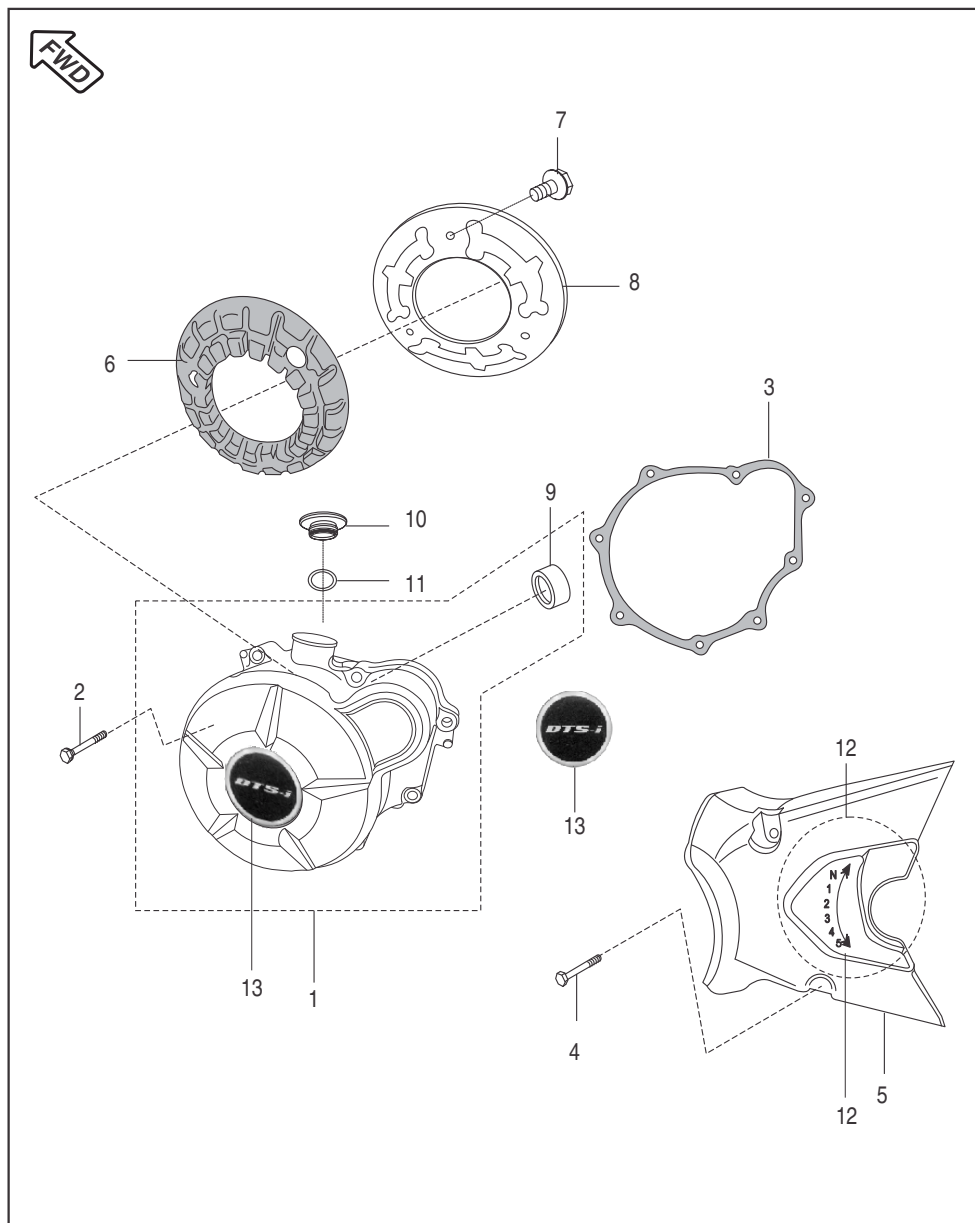


No.	Part No.	Description	DIS 125 DRUM	DIS 125 DISC	DIS 150 DISC	Remarks
1	36 JZ00 11	Crankcase Magneto Side	--	--	1	NRB + Bush
	36 JZ00 28	Crankcase Magneto Side	1	1	--	NRB + Bush
	36 JZ01 67	C'case Mag Side NRB + Bush	1	1	--	Re-Introduced
2	39 2562 20	Needle Roller Bearing	1	1	1	
3	59 2000 36	Ball Bearing	1	1	1	
4	39 1715 19	Seal Oil	1	1	1	Output Shaft
5	31 2010 81	Neutral Switch	1	1	1	
6	DH 1017 84	Gasket Neutral Switch	1	1	1	
	DH 1012 64	Gasket Neutral Switch	1	1	--	Re-introduced
7	39 2190 19	Oil Seal	1	1	1	Shifter Shaft
8	JA 5410 05	Bush Starter Clutch	1	1	1	Starter Clutch
9	39 0747 01	Pan Head Screw	2	2	2	
10	JA 5410 34	Stopper Gear Starter Clutch	1	1	1	
11	39 1000 06	Hollow Dowel Pin	4	4	4	
12	39 0999 06	Hollow Dowel Pin	4	4	4	
13	JA 5410 19	Mesh Filter Oil strainer	1	1	1	
14	59 2100 23	'O' Ring Cap Strainer	1	1	1	
15	JA 5410 21	Cap Strainer	1	1	1	
	JV 5410 06	Cap Strainer	1	1	--	Re-introduced
16	59 0400 38	Bolt Flange	6	6	6	Crankcase Mtg.
17	39 1759 04	Bolt	1	1	1	Crankcase Mtg.
18	JA 5410 20	'O' Ring Mesh Filter Oil Strainer	1	1	1	
	59 2100 23	Cap Strainer	1	1	--	Re-introduced
19	JD 5410 00	Damper Crankshaft	--	--	1	
	JA 5410 27	Damper Crankshaft	1	1	-	
20	JA 5410 32	Strainer Assly.	1	1	1	
	JG 5710 24	Strainer Assly.	1	1	--	Re-introduced

Cover RH



No.	Part No.	Description	DIS 125 DRUM	DIS 125 DISC	DIS 150 DISC	Remarks
1	36 JZ00 13	Clutch Cover	--	--	1	With Decal + Gauge + Circlip Re-introduced
	36 JZ00 25	Clutch Cover	1	1	--	
	36 JZ01 69	Clutch Cover	1	1	--	
2	JE 5412 11	Decal Clutch Cover	1	1	1	
3	39 1041 19	Oil Seal Clutch Lever	1	1	1	
4	30 1011 42	Oil Seal (Kick Shaft)	1	1	1	
5	JW 5410 05	Shaft Clutch Release	1	1	1	Re-introduced
	JV 5412 08	Shaft Clutch Release	1	1	--	
6	JE 5514 01	Rod Push	--	--	1	Re-introduced
	DP 1012 69	Rod Push	1	1	--	
7	DG 1014 18	Gauge	1	1	1	Oil Level Check
8	DS 1012 15	Wire Circlip	1	1	1	
9	JA 5412 36	Plain Washer	1	1	1	Re-introduced
	JE 5412 13	Plain Washer	1	1	--	
10	JA 5412 37	Spring Torsion Clutch Lever	1	1	1	Re-introduced
	JE 5412 14	Spring Torsion Clutch Lever	1	1	--	
11	JA 5412 11	Cap Oil Filler	1	1	1	
12	JA 5412 25	'O' Ring Cap Oil Filler	1	1	1	
13	JE 5412 09	Damper	1	1	1	] Not applicable Re-introduced Discover 125
14	JA 5412 16	Plate Damper	1	1	1	
15	39 2208 04	Bolt Flange	3	3	3	
16	JA 5412 12	Gasket Clutch Cover	1	1	1	
17	59 0400 38	Bolt Flange	8	8	8	Re-introduced
	JV 5412 17	Bolt Flange	8	8	--	
18	JW 5410 00	Bracket Clutch Cable	1	1	1	Re-introduced
	JV 5412 09	Bracket Clutch Cable	1	1	--	
19	DD 1211 81	Oil Filter Element	1	1	1	
20	39 1671 21	'O' Ring	1	1	1	
21	JZ 5412 14	Cap Filter	1	1	1	Re-introduced
	JA 5412 11	Cap Filter	1	1	--	
22	JA 5210 19	Bolt Flange	3	3	3	Re-introduced
	JV 5412 17	Bolt Flange	3	3	--	
23	14 1510 33	Bearing Push Rod	--	--	1	Re-introduced
	39 1001 20	Bearing Push Rod	1	1	--	
24	39 0999 06	Pin Hollow Dowel	2	2	2	



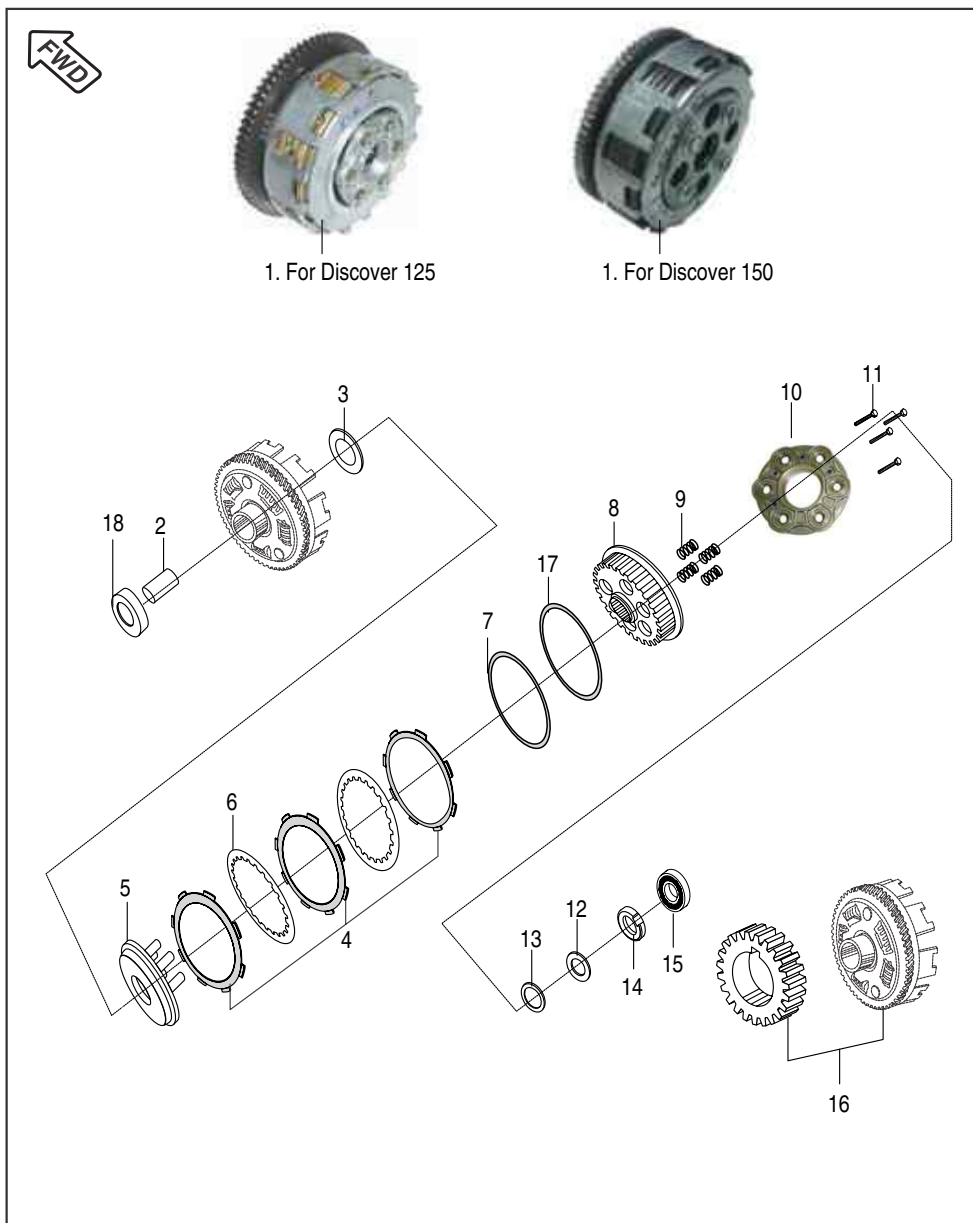
Front Wheel Direction

Cover Magneto

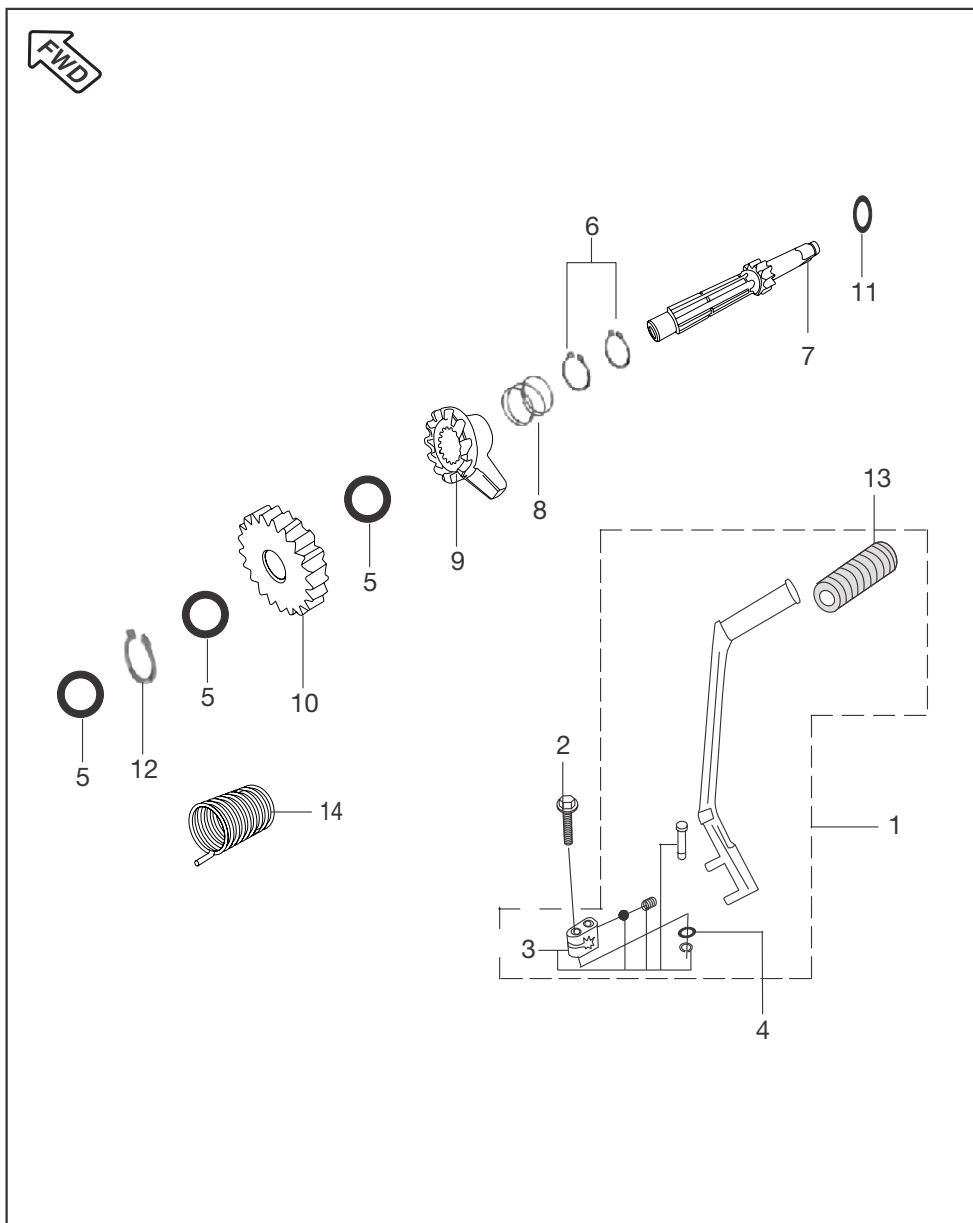
No.	Part No.	Description	DIS 125 DRUM	DIS 125 DISC	DIS 150 DISC	Remarks
1	36 JZ00 15	Cover Magneto	1	1	1	With Bush
	JZ 5412 35	Cover Magneto	1	1	--	With Bush
	52 JE00 17	Cover Magneto	1	1	--	Re-introduced
2	JA 5410 44	Bolt Flange	8	8	8	
	JV 5412 15	Bolt Flange	8	8	--	Re-introduced
3	JA 5412 05	Gasket Magneto Cover	1	1	1	
4	59 0400 38	Bolt	2	2	2	
	JV 5410 07	Bolt	2	2	--	Re-introduced
5	JZ 5412 02	Cover LH Rear Complete	1	1	1	Without label
	JZ 5412 35	Cover LH Rear Complete	1	1	--	Re-introduced
6	JE 5412 10	Damper Cover LH	1	1	1	} Not applicable for reintroduced Discover 125
7	DH 1013 88	Flanged Bolt	3	3	3	
8	JA 5412 21	Plate Damper Cover LH	1	1	1	
9	JA 5410 05	Bush	1	1	1	For Drive Gear Assly
	10	JA 5412 33	Threaded Cap TDC Finder	1	1	1
	JV 5412 07	Threaded Cap TDC Finder	1	1	--	
11	30 1011 95	'O' Ring	1	1	1	
12	JW 2330 00	Sticker Gear Shifting	1	1	1	
13	JE 5412 12	Decal Magneto Cover	1	1	1	} Re-introduced
	JZ 5412 37	Decal Magneto Cover	1	1	--	

Brand ID: 001MC643 (DISCOVER 150)  
 Brand ID: 001MC645 (DISCOVER 125)

Clutch



No.	Part No.	Description	DIS 125 DRUM	DIS 125 DISC	DIS 150 DISC	Remarks
1	JZ 5514 13	Clutch Complete	1	1	--	
	JZ 5514 09	Clutch Complete	--	---	1	
2	JA 5514 06	Collar Clutch	1	1	1	
3	39 2600 11	Washer	1	1	1	
4	36 JE00 05	Friction Plate Kit	--	--	1	Ref. Page No.114
	36 JZ00 37	Friction Plate	1	1	--	Ref. Page No.114
5	DP 1011 07	Wheel Clutch	--	--	1	
	JB 5514 08	Wheel Clutch	1	1	---	
6	DP 1011 11	Plate Clutch	--	---	4	
	JG 5514 47	Plate Clutch	--	---	4	Alternate
	30 1010 96	Plate Clutch	4	4	---	
7	DP 1012 43	Plate Judder Spring	--	---	1	
8	JE 5514 03	Hub Clutch	--	--	1	
	JB 5514 11	Hub Clutch	1	1	---	
9	JZ 5514 12	Compression Spring	--	--	4	
	JZ 5514 15	Compression Spring	6	6	---	
10	JE 5514 05	Holder Clutch	--	--	1	4 Hole
	JB 5514 12	Holder Clutch	1	1	--	6 Hole
11	DP 1011 16	Bolt Flange	--	---	4	
	39 0980 04	Bolt Flange	6	6	---	
12	39 2200 11	Belleville Washer	--	---	1	
	JA 5514 16	Belleville Washer	1	1	---	
13	39 0240 11	Plain Washer	--	--	1	
	JA 5514 20	Plain Washer	1	1	---	
14	DH 1016 48	Nut Special	--	--	1	L.H. Threads
	JA 5310 07	Nut Special	1	1	--	L.H. Threads
15	14 1510 33	Bearing Clutch Lifter	--	--	1	
	39 1001 20	Bearing Clutch Lifter	1	1	---	
16	36 JZ00 14	Set Primary Drive & Driven	--	--	1	Refer Page 111
	36 JZ00 23	Set Primary Drive & Driven	1	1	--	Refer Page 111
17	DP 1011 14	Spring Anti Judder	--	---	1	
18	JD 5514 00	Spacer Clutch Assly	1	1	1	'JD' Mark for ID



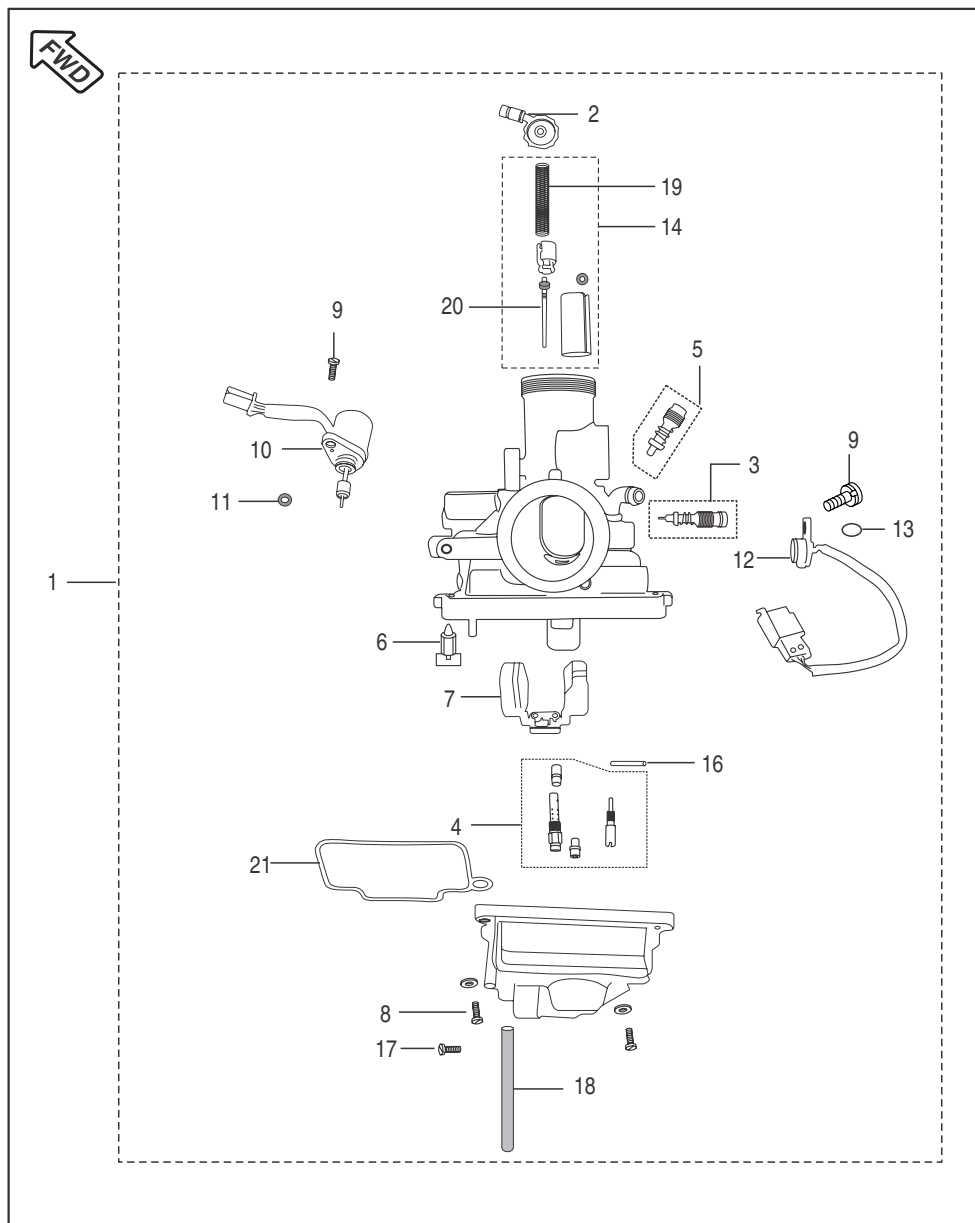
Front Wheel Direction

Kick Starter Mechanism

No.	Part No.	Description	DIS 125 DRUM	DIS 125 DISC	DIS 150 DISC	Remarks
1	JA 6212 01	Lever Assly Kick	1	1	1	
2	JA 6212 06	Bolt Special	1	1	1	
3	36 DU10 07	Boss Kick Set	1	1	1	Refer Page No 113
4	22 1502 41	Plain Washer	1	1	1	
5	39 0993 11	Plain Washer Small	3	3	3	
6	39 0738 17	Circlip Shaft	2	2	2	
7	JD 6210 01	Shaft Kick	1	1	1	
8	DS 1011 17	Spring Kick Starter	1	1	1	
9	JA 6210 02	Ratchet	1	1	1	
10	JZ 6210 00	Gear Spur Kick Starter	1	1	1	
11	JA 6210 06	Washer Thrust	1	1	1	
12	39 2408 17	Circlip	1	1	1	
13	DD 1010 97	Kick Rubber	1	1	1	
14	DH 1011 25	Spring Kick Starter Return	1	1	1	
	JE 5410 08	Spring Kick Starter Return	1	1	--	Re-introduced

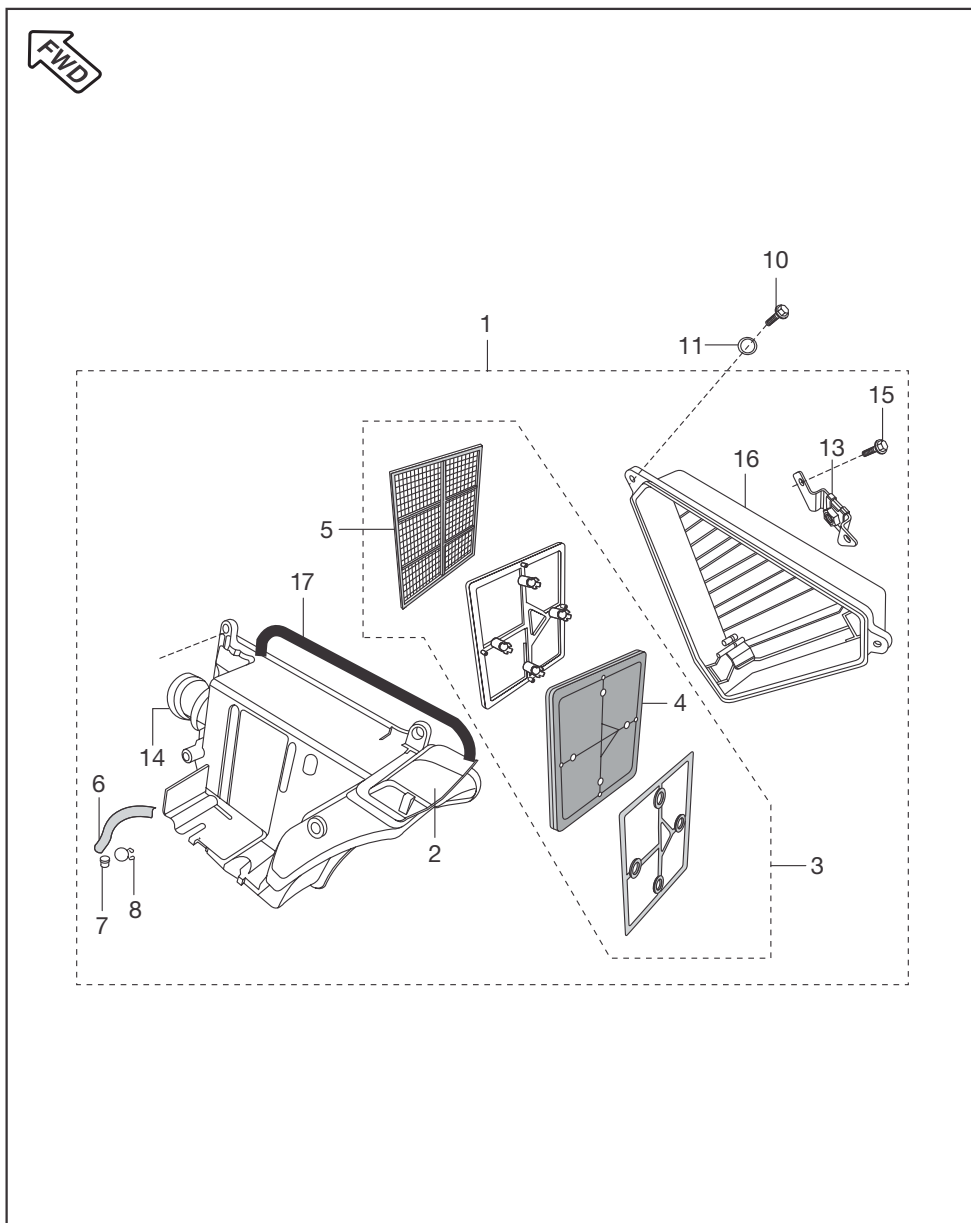
Brand ID: 001MC643 (DISCOVER 150)  
 Brand ID: 001MC645 (DISCOVER 125)

Carburettor

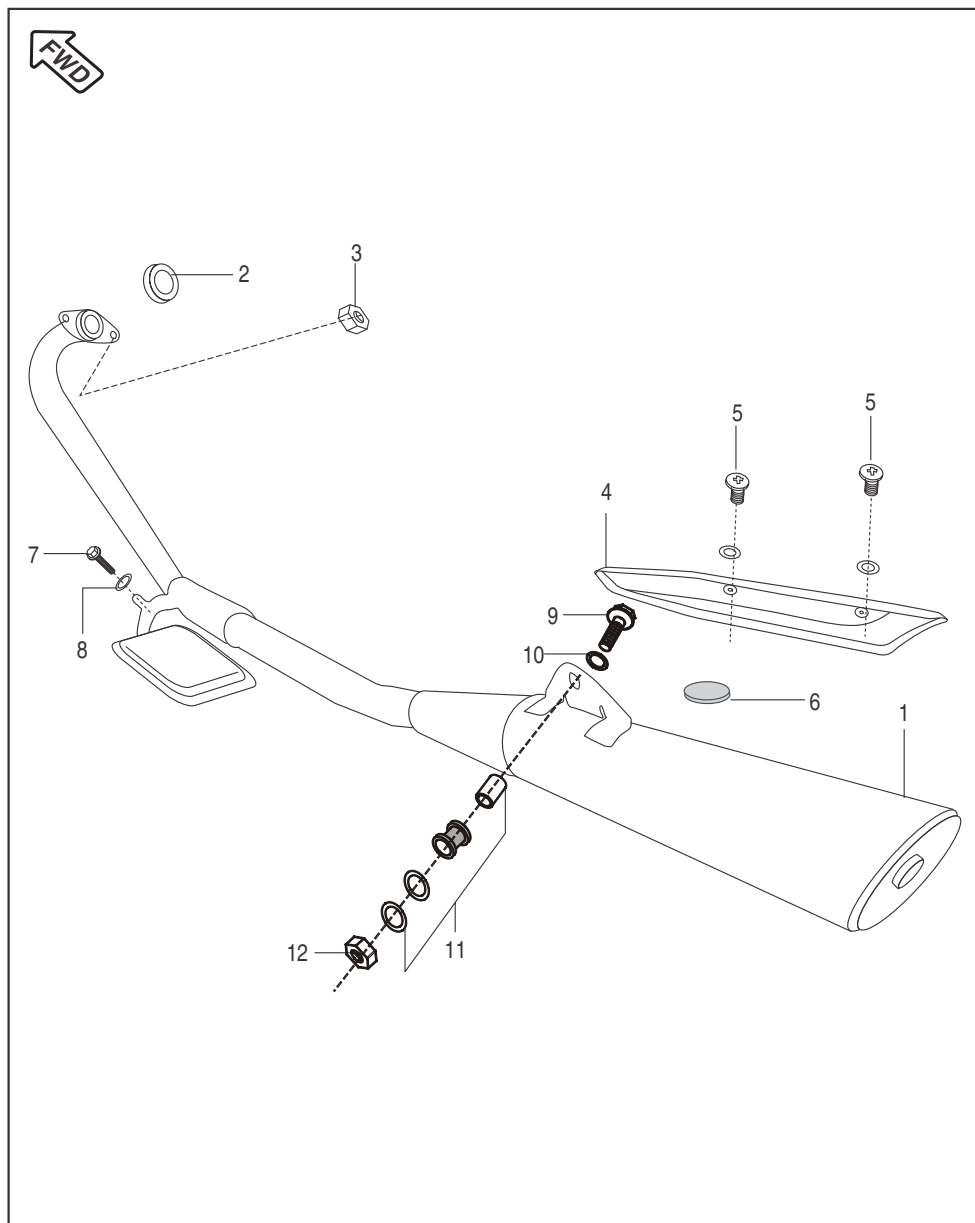


No.	Part No.	Description	DIS 125 DRUM	DIS 125 DISC	DIS 150 DISC	Remarks
1	JZ 5812 09	Carburettor Assly	--	--	1	
	JZ 5812 27	Carburettor Assly	1	1	--	
2	36 JZ00 20	Adjuster Throttle Cable Kit	1	1	1	Refer Page 114
3	DH 1211 69	Pilot Screw Kit	1	1	1	Refer Page 112
4	36 JZ00 17	Jet Kit	--	--	1	Refer Page 111
	36 JZ00 31	Jet Kit	1	1	--	Refer Page 111
5	36 JZ00 16	Idling Screw Kit	1	1	1	Refer Page 113
6	JA 5812 21	Valve Complete Float	1	1	1	
7	24 1213 65	Float Complete	1	1	1	
8	CB 1210 42	Screw Washers Bowl M4x14	--	--	2	
	CB 1210 39	Screw Washers Bowl M4x14	2	2	--	
9	JA 5812 33	Screw TPS & Solenoid Choke	2	2	2	
10	JA 5812 39	Solenoid Choke Assly	1	1	1	
11	JA 5812 40	"O" Ring Solenoid Choke	1	1	1	
12	JB 5812 02	Throttle Position Sensor	1	1	1	
13	JB 5812 04	"O" Ring (TPS)	1	1	1	
14	36 JZ00 19	Throttle Valve Kit	--	--	1	Refer Page 112
	36 Jz00 32	Throttle Valve Kit	1	1	--	Refer Page 112
15	36 JZ00 21	Carburettor Gasket 'O' Ring	1	1	1	Refer Page 113
16	24 1210 69	Arm Pin Float	1	1	1	
17	JA 5813 14	Drain Screw	1	1	1	
18	JZ 5812 20	Hose Drain	1	1	1	
19	JZ 5812 16	Spring	1	1	1	
20	JZ 5812 22	Jet Needle	--	--	1	
21	JA 5812 32	O-Ring (FCB)	1	1	1	

Air Cleaner Complete



No.	Part No.	Description	DIS 125 DRUM	DIS 125 DISC	DIS 150 DISC	Remarks
1	JZ 5810 07	Air Filter Assly	1	1	1	
2	DS 1211 16	Air Filter Duct	1	1	1	Intake
3	JZ 5810 10	Assly Catridge Air filter	1	1	1	
4	JZ 5810 11	Element Air Filter	1	1	1	
5	DX 1210 11	Flame Arrester	1	1	1	
6	JZ 5810 12	Tube Drain	1	1	1	
	DS 1211 17	Tube Drain	1	1	--	Re-introduced
7	DS 1211 26	Plug	1	1	1	
8	DG 1210 02	Clamp	1	1	1	
9	JZ 5810 04	Hose Breather	1	1	1	N.I.
10	39 1797 01	Hex Head Screw	3	3	3	
	39 0071 04	Hex Head Screw	3	3	--	Re-introduced
11	39 1765 11	Washer	3	3	3	
12	DH 1210 38	Clamp	1	1	1	N.I.
13	DS 1610 69	Bracket Side Cover Mtg.	1	1	1	
14	JZ 5810 06	Connecting Tube	1	1	1	
15	39 1779 02	Self Tapping Screw	2	2	2	
16	JZ 5810 09	Filter Air Cover	1	1	1	
17	JZ 5810 29	'O' Ring	1	1	1	
18	JA 5210 19	Flange Bolt	2	2	2	For Filter Mtg
19	39 1677 04	Flange Bolt	1	1	1	For Filter Mtg



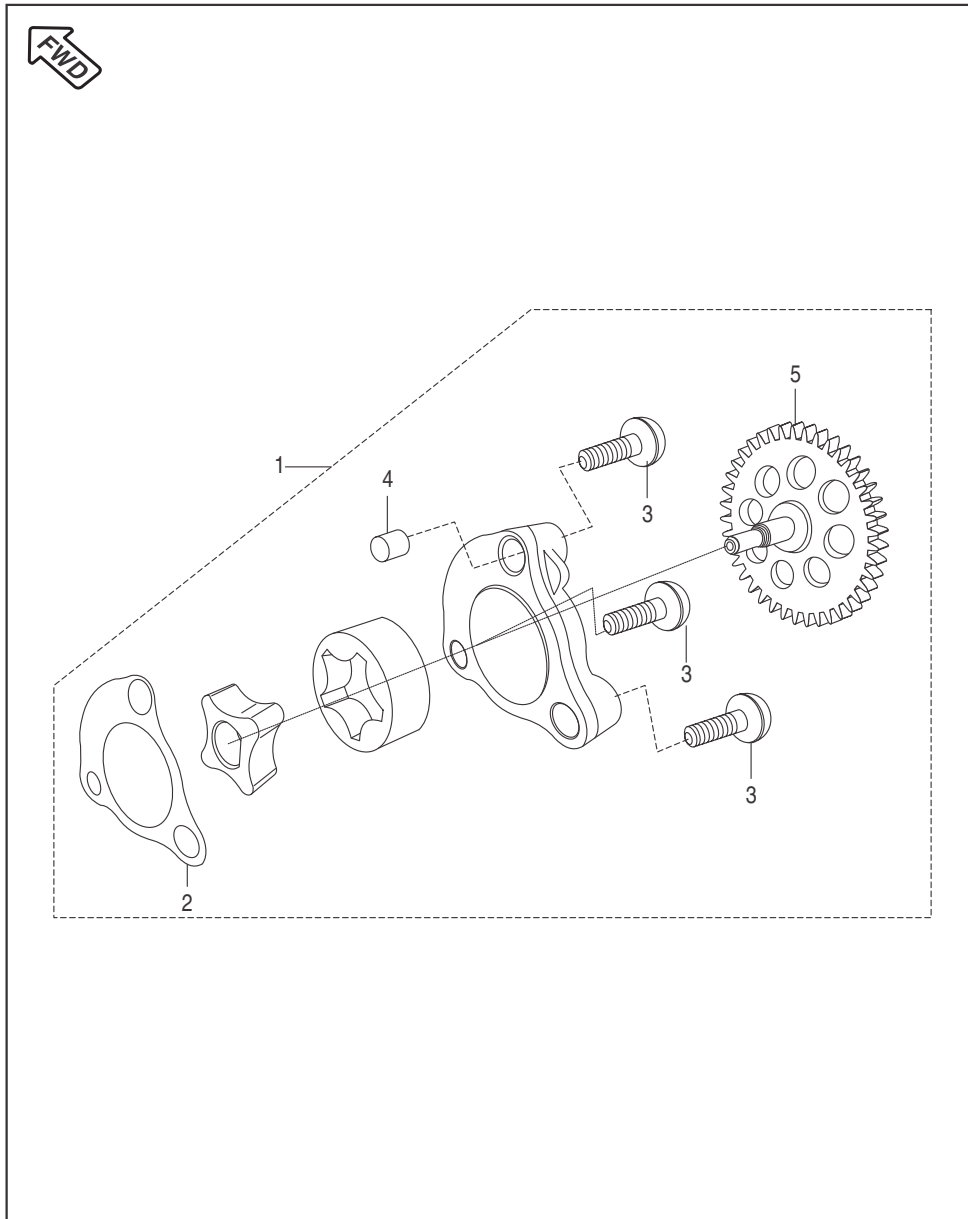
 Front Wheel Direction

Silencer Assembly

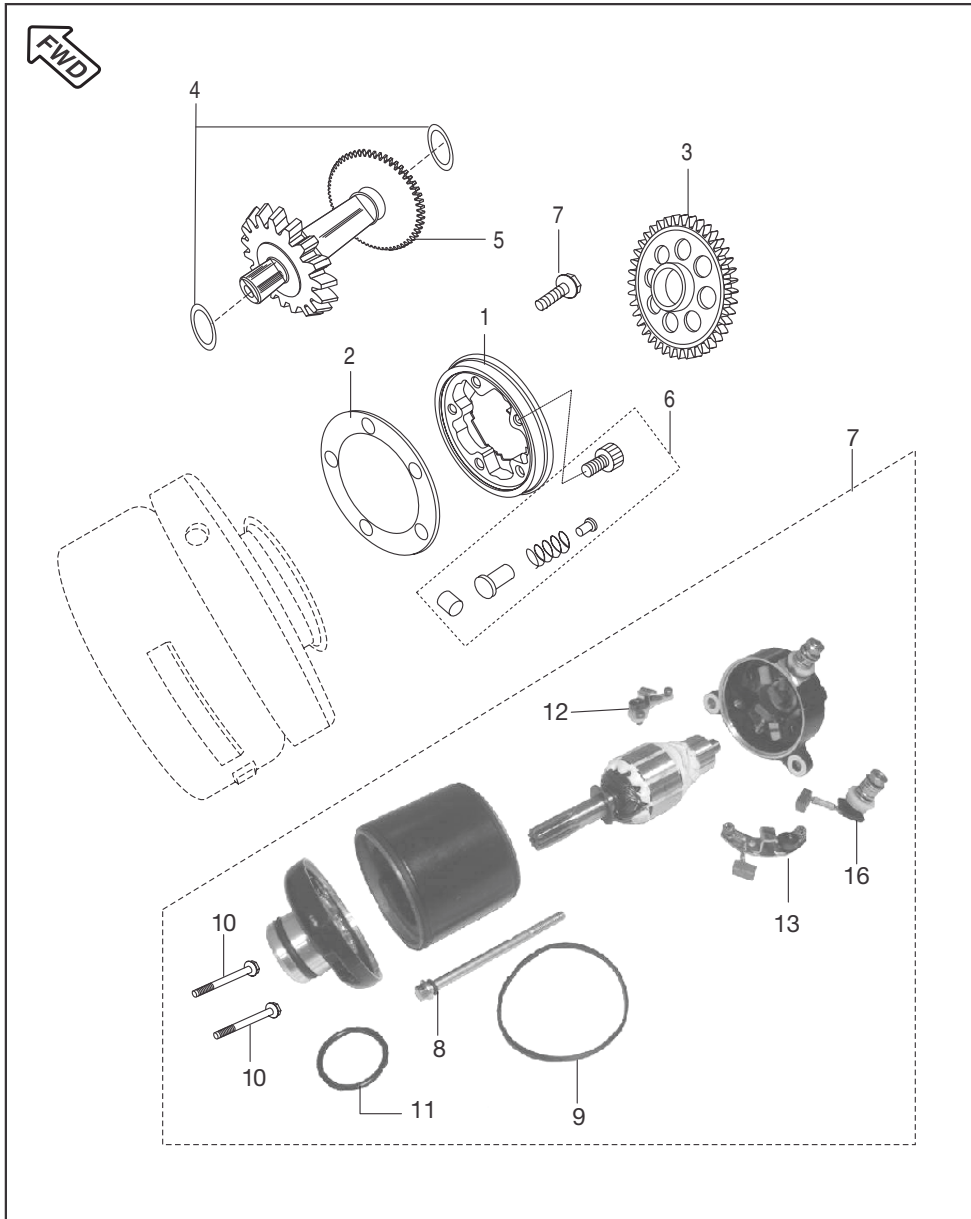
No.	Part No.	Description	DIS 125 DRUM	DIS 125 DISC	DIS 150 DISC	Remarks
1	36 JZ00 12	Silencer Assly without Shield	--	--	1	
	36 JZ00 30	Silencer Assly without Shield	1	1	--	
2	CB 1011 14	Gasket Exhaust Mounting	1	1	1	
	JE 5910 02	Gasket Exhaust Mounting	1	1	--	Re-introduced
3	JA 5910 40	Flange Nut	2	2	2	
4	JZ 5910 43	Shield Silencer	1	1	1	
5	JW 5910 28	Truss Screw	2	2	2	
6	JB 5910 59	Grommet Shield	2	2	2	
7	39 2754 04	Bolt Hex with Flange M5	1	1	1	
8	39 2492 11	Plain Washer	1	1	1	
9	39 2722 04	Bolt M10 x 1.25	1	1	1	
10	JB 1130 05	Washer	2	2	2	
11	36 DK00 09	Hardware Kit	1	1	1	
12	DD 1610 71	U Nut M10 x 1.25	1	1	1	

Brand ID: 001MC643 (DISCOVER 150)  
 Brand ID: 001MC645 (DISCOVER 125)

Oil Pump



No.	Part No.	Description	DIS 125 DRUM	DIS 125 DISC	DIS 150 DISC	Remarks
1	JZ 5710 00	Oil Pump Assly	1	1	1	
2	JA 5410 16	Gasket Case Oil Pump	1	1	1	
3	39 0753 01	Pan Head Screw	3	3	3	
	FD 1010 78	Pan Head Screw	3	3	--	Re-introduced
4	39 0999 06	Dowel	2	2	2	
5	JZ 5710 01	Gear Driven + Shaft	1	1	1	

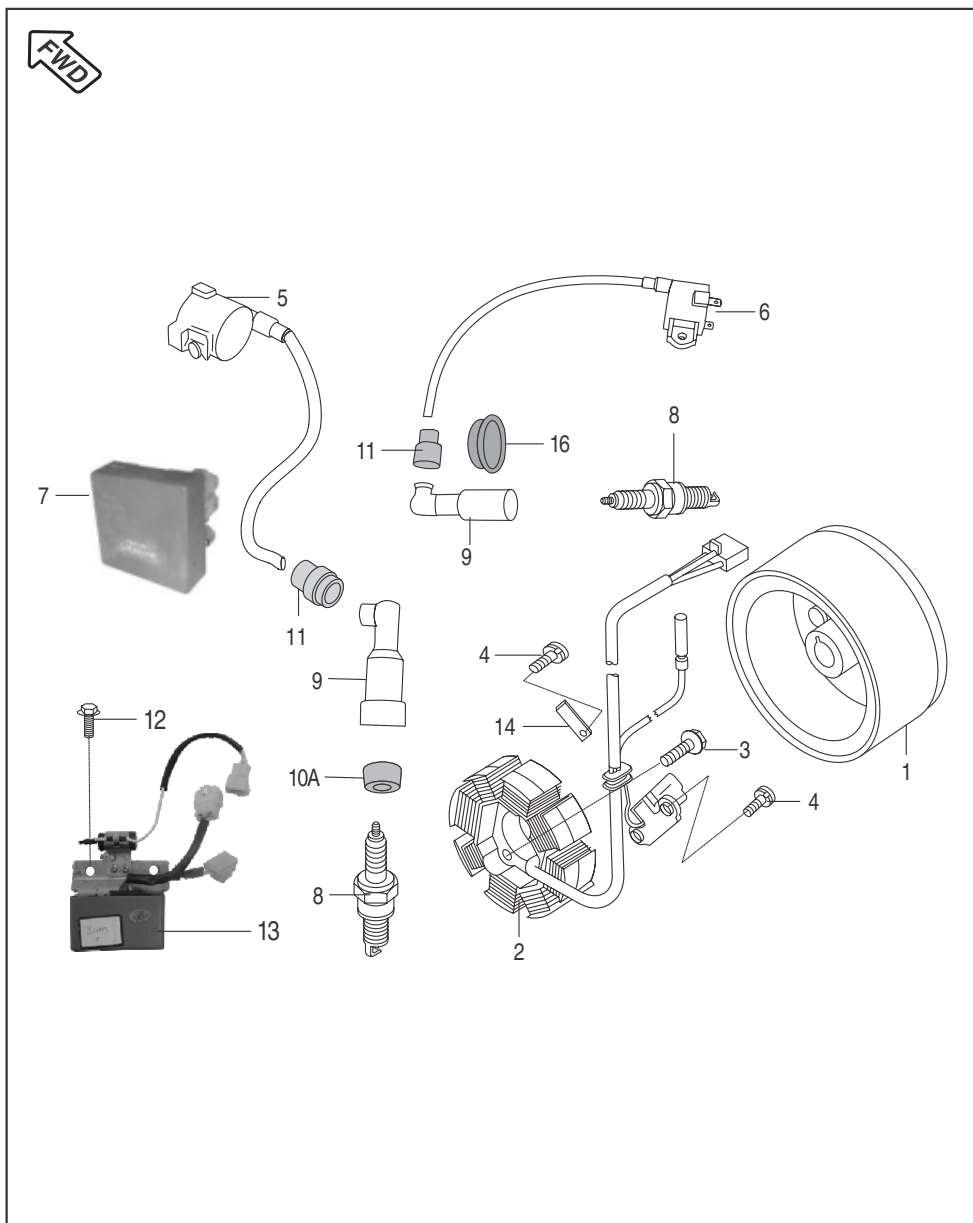


Front Wheel Direction

### Starter Assembly

No.	Part No.	Description	DIS 125 DRUM	DIS 125 DISC	DIS 150 DISC	Remarks
1	JA 6214 14	Body Complete Starter Clutch	1	1	1	
2	DH 1017 81	Plate Roller Clutch	1	1	1	
3	JA 6214 10	Gear Starter Clutch	1	1	1	
4	JA 6214 02	Washer	2	2	2	
5	JA 6214 06	Drive Assly	1	1	1	
6	36 JZ00 08	Starter Clutch Repair Kit	1	1	1	Refer Page No. 114
7	JA 3516 00	Motor Assly	1	1	1	
	PF 3516 00	Motor Assly	1	1	--	Re-introduced
8	JA 3516 04	'O' Ring for Tie Bolt (Flash)	1	1	1	
9	JA 3516 06	Sealing Ring (Flash)	1	1	1	
	JA 3516 26	Sealing Ring (Lucas-TVS)	1	1	1	
10	LA D000 11	Flange Bolt	2	2	2	Motor Mounting
	JV 5412 17	Flange Bolt	2	2	--	Re-introduced
11	JA 3516 02	'O' Ring for Spigot (Flash)	1	1	1	
	JA 3516 27	'O' Ring for Spigot (Lucas-TVS)	1	1	1	
12	JA 3516 08	+ve Brush Holder Assly (Flash)	1	1	1	
13	JA 3516 09	-ve Brush Holder Assly (Flash)	1	1	1	
14	JA 3516 18	Brush & Earth Plate Assly	1	1	1	N.I. (Lucas-TVS)
15	JA 3516 24	Brush Spring (Lucas-TVS)	1	1	1	N.I.
16	JA 3516 19	Terminal Assly (Lucas-TVS)	1	1	1	

Brand ID: 001MC643 (DISCOVER 150)  
Brand ID: 001MC645 (DISCOVER 125)



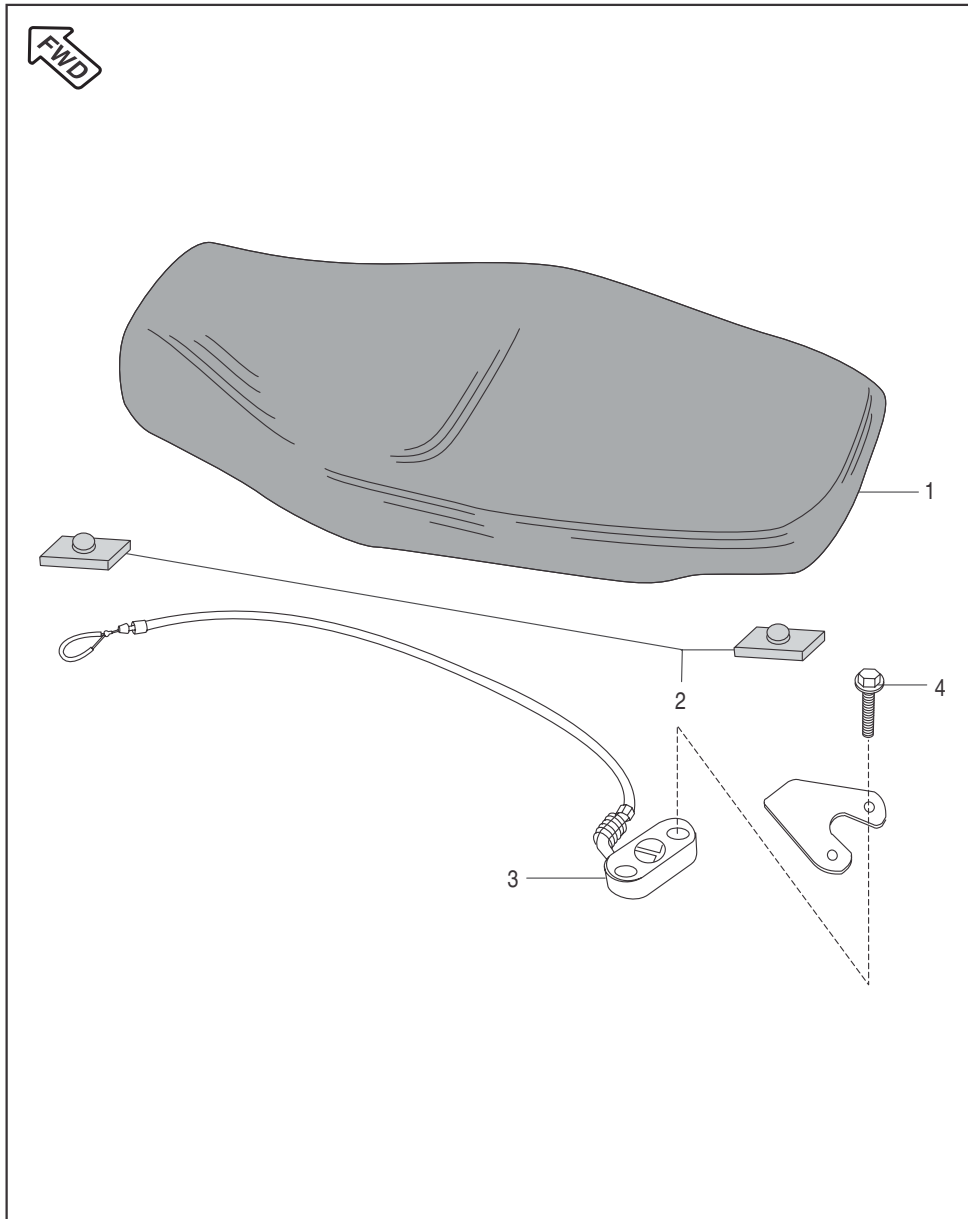
**FWD** Front Wheel Direction

Magneto, CDI & H.T. Coil

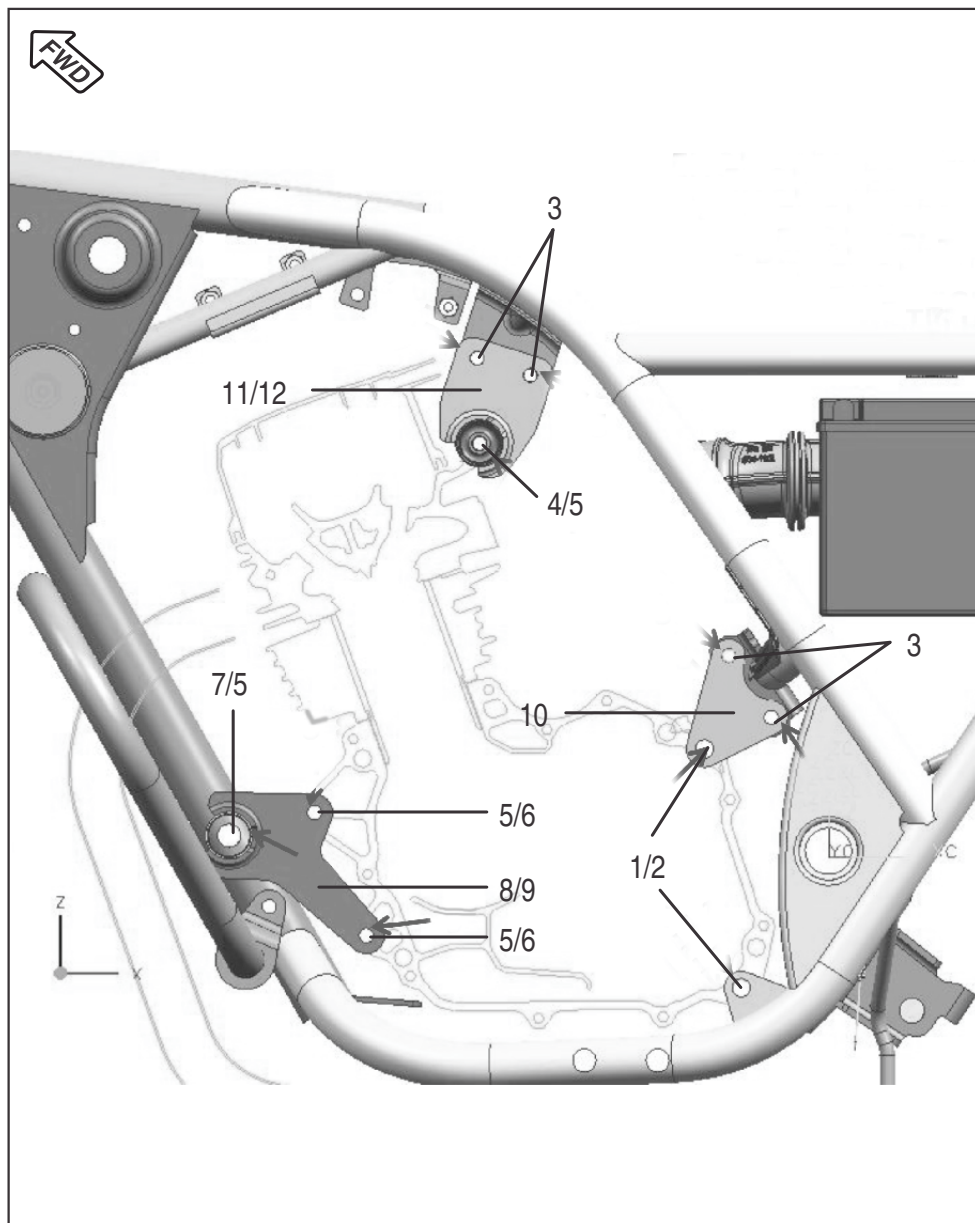
No.	Part No.	Description	DIS 125 DRUM	DIS 125 DISC	DIS 150 DISC	Remarks
1	JE 3510 02	Rotor Assly	--	--	1	
	JZ 3510 01	Rotor Assly	1	1	--	
2	JP 3510 07	Stater Assly Complete	1	1	1	
3	39 1675 04	Bolt Flange	2	2	2	
4	39 0746 01	Pan Head Screw	--	--	3	For Lock Plate & Pick Up Coil Mtg
	DH 1013 80	Pan Head Screw	3	3	--	
5	JE 3512 03	H. T. Coil LH	--	--	1	
	PA 3512 01	H. T. Coil LH	1	1	--	
6	JE 3512 04	H. T. Coil RH	--	--	1	
	PA 3512 02	H. T. Coil RH	1	1	--	
7	JZ 3512 05	C.D.I. Assly	--	--	1	Red Colour
	JZ 3512 06	C.D.I. Assly	1	1	--	
8	DD 1110 18	Spark Plug PRZ9 HC	2	2	2	
9	DD 1110 48	Spark Plug Cap LH	1	1	1	
	DH 1110 15	Spark Plug Cap RH	1	1	1	
10A	DD 1110 11	Grommet Spark Plug Cap LH	1	1	1	
10B	DH 1110 13	Grommet Spark - Plug Cap RH	1	1	1	
11	DD 1110 12	Grommet for HT Cable	2	2	2	
12	39 1943 04	Bolt Flange	2	2	2	
13	JK 4020 00	DC Regulator With Capacitor	1	1	1	
14	JA 5410 28	Lock Plate	1	1	1	
15	59 0400 14	Bolt Flange (N.I.)	4	4	4	For HT Coil Mtg
16	JD 3512 06	Grommet Sleeve Spark Plug	1	1	1	

Brand ID: 001MC643 (DISCOVER 150)  
Brand ID: 001MC645 (DISCOVER 125)

Seat Assembly / Seat Lock



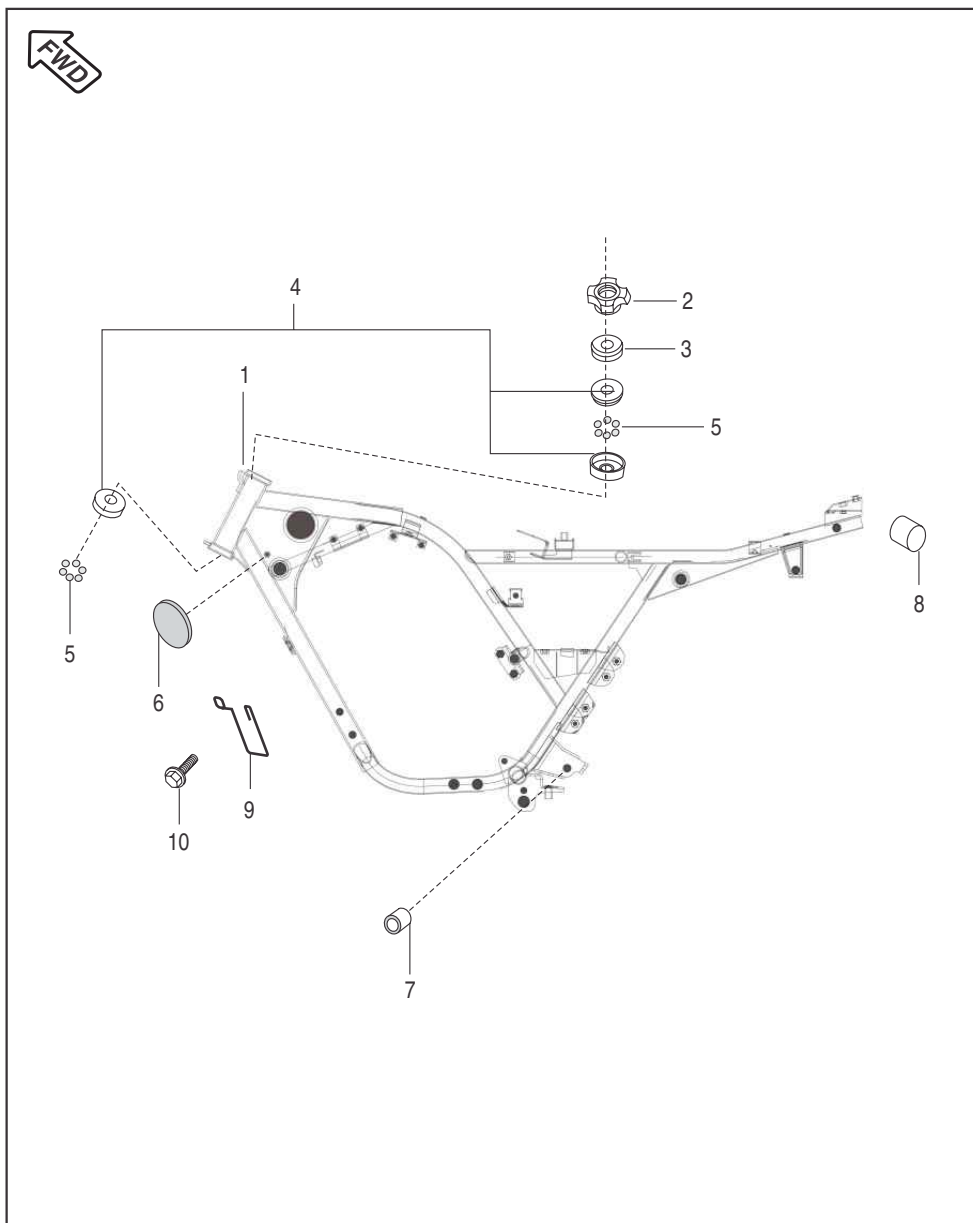
No.	Part No.	Description	DIS 125 DRUM	DIS 125 DISC	DIS 150 DISC	Remarks
1	JN 1910 00 JZ 1910 06	Seat Assly Comp Seat Assly Comp	-- 1	-- 1	1 1	Up to 10.03.2011
2	36 DS21 01	Seat Damper Kit	1	1	1	Refer Page No. 113
3	DS 2110 06	Lock Assly Seat	1	1	1	
4	39 1902 04	Flanged Bolt	2	2	2	



Engine Mountings

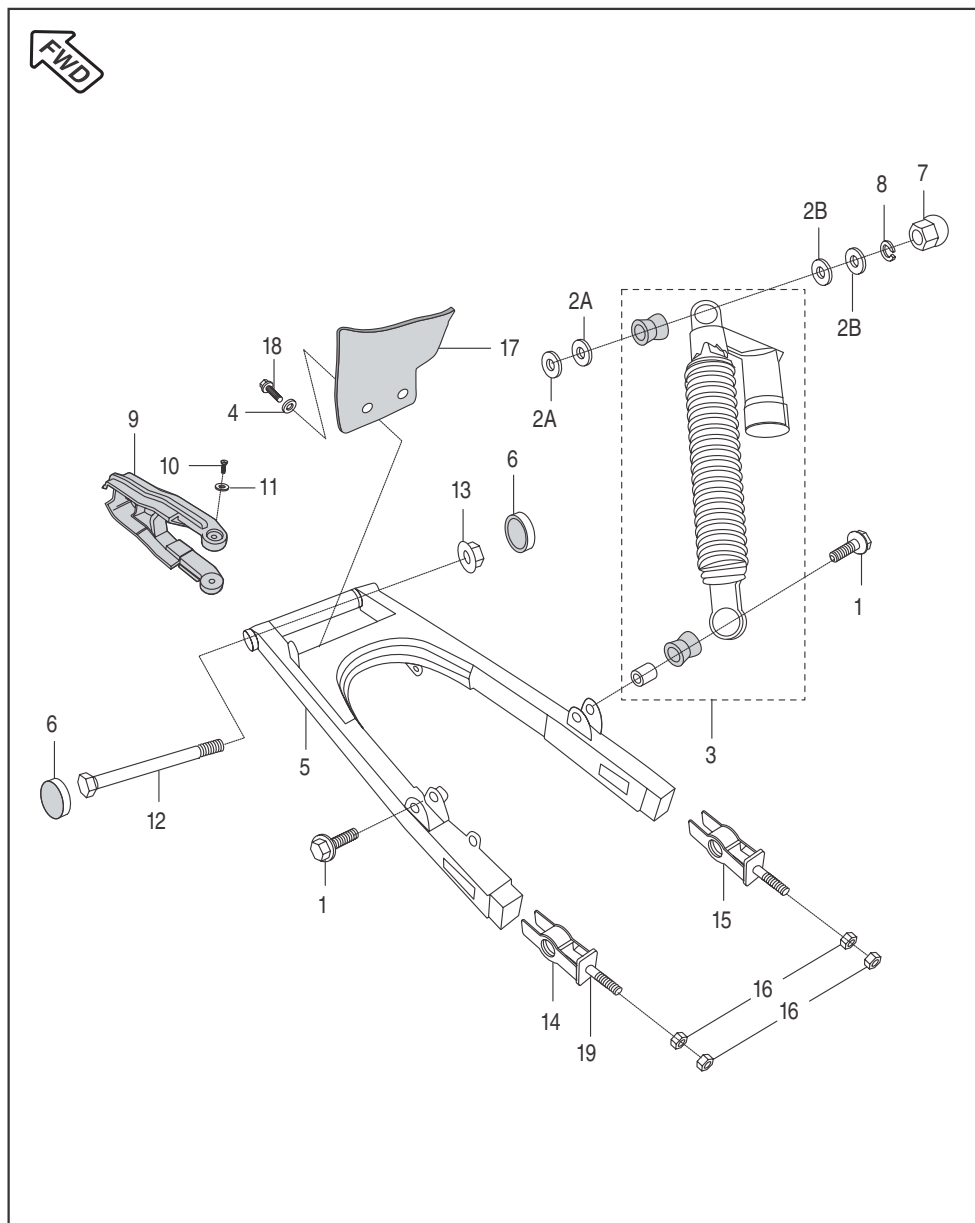
No.	Part No.	Description	DIS 125 DRUM	DIS 125 DISC	DIS 150 DISC	Remarks
1	JA 1134 03	Flange Bolt M10 x 110	2	2	2	
2	39 2723 15	Flanged Nut	2	2	2	
3	39 1556 04	Bolt Flanged	8	8	8	
4	LA D000 52	Bolt Flange	1	1	1	
5	39 1970 15	Nut Flanged	4	4	4	
6	JA 1134 02	Bolt Flanged	2	2	2	
7	LA D000 41	Bolt Flanged	1	1	1	
8	JZ 1134 00	BKT Comp LH Engine Front	1	1	1	
9	JZ 1134 03	BKT Comp RH Engine Front	1	1	1	
10	JZ 1134 02	Engine Mtg. BKT Rear Top	2	2	2	
11	JZ 1134 05	Bracket Comp LH Top	1	1	1	
12	JZ 1134 07	Bracket Comp RH Top	1	1	1	

Frame and Frame Fittings



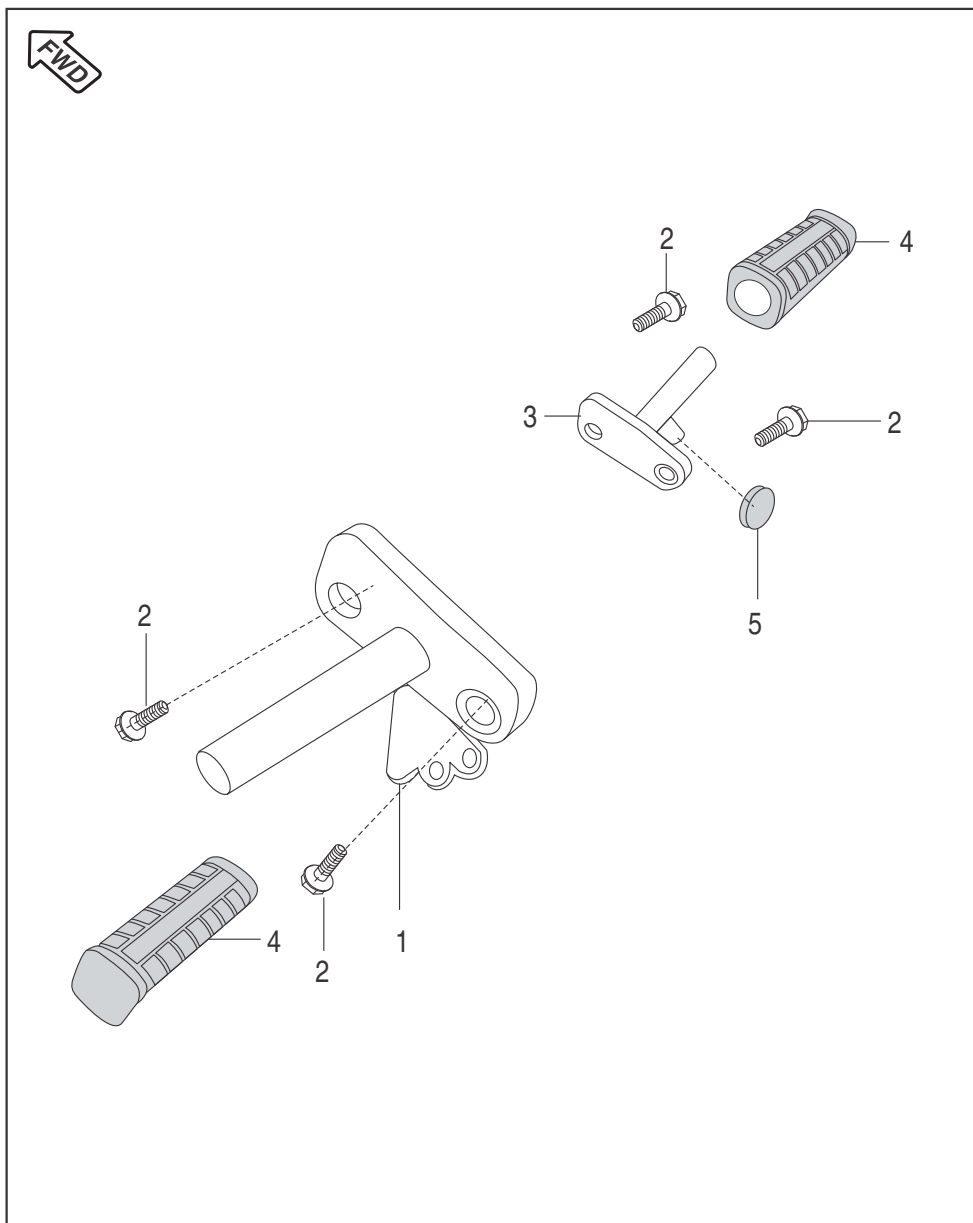
No.	Part No.	Description	DIS 125 DRUM	DIS 125 DISC	DIS 150 DISC	Remarks
1	JZ 1110 29	Frame Assly Complete	1	1	1	
	JZ 1113 10	Frame Assly Complete	1	1	--	Re-introduced
2	DS 1810 18	Nut Fork	1	1	1	
3	DH 1810 14	Cup - Steering	1	1	1	
4	36 3140 01	Bearing Cone Kit	1	1	1	Refer Page No. 113
	36 3140 05	Bearing Cone Kit With Greas	1	1	1	Refer Ser Cir-F38
5	36 3140 02	Ball Steel Kit	1	1	1	
6	PA 4010 00	Side Reflector	2	2	2	Not for Reintroduced Discover 125
7	DP 1710 06	Silent Bush	2	2	2	
8	DP 1612 60	End Cap	2	2	2	
9	PA 1138 00	Hook Clutch Cable	1	1	1	
10	39 2060 04	Bolt M5	1	1	1	

Swing Arm / Rear Shock Absorber



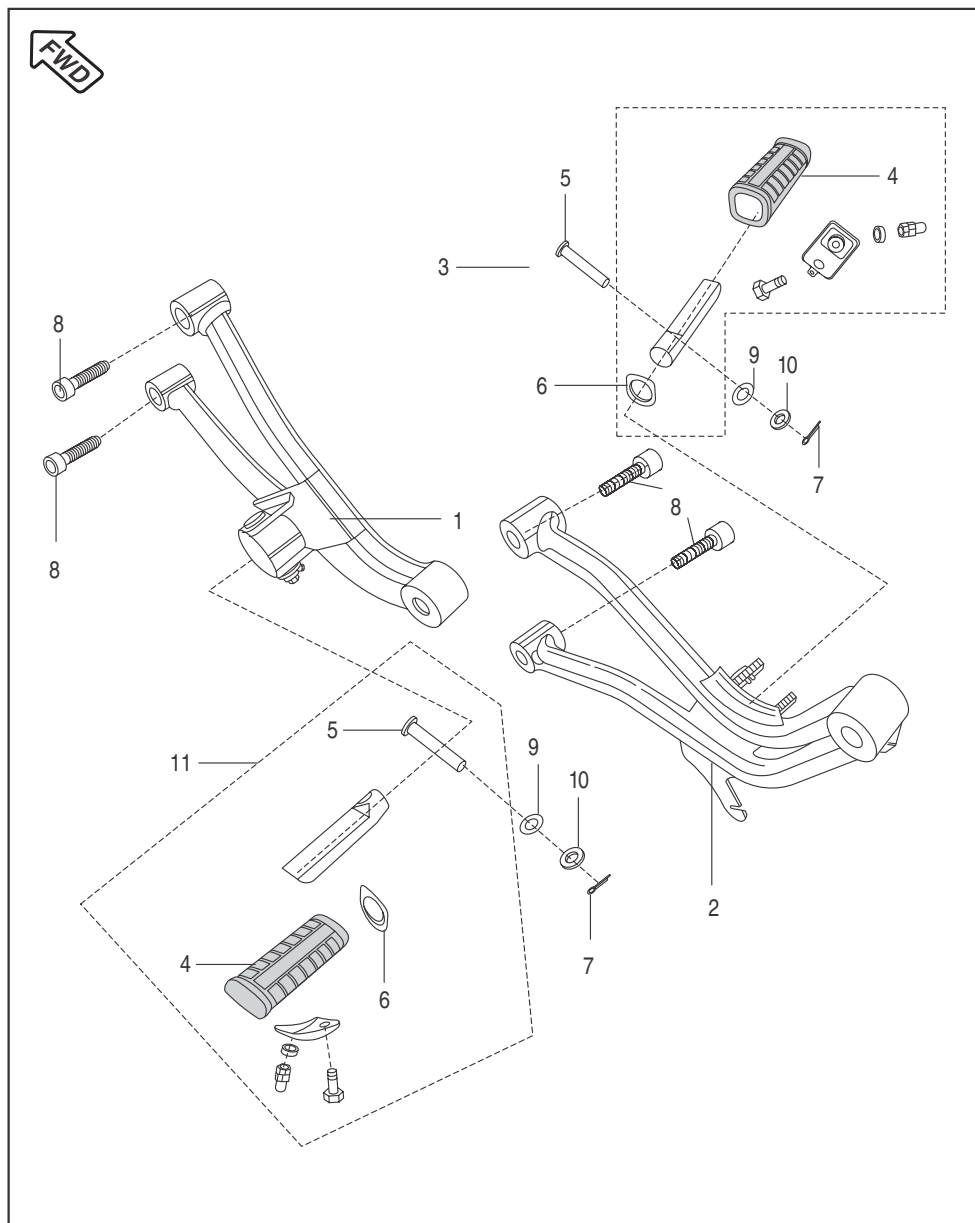
No.	Part No.	Description	DIS 125 DRUM	DIS 125 DISC	DIS 150 DISC	Remarks
1	JB 1220 16	Hex Bolt / Flange - M10	2	2	2	For RSA
2A	JB 1220 11	Plain Washer	4	4	4	For RSA
2B	JB 1220 10	Plain Washer	4	4	4	
3	JN 1220 00	Rear Shock Absorber	2	2	2	
4	39 0258 11	Plain Washer	2	2	2	For Mud Flap
5	JN 1220 06	Swing Arm Assly	1	1	1	
6	DS 1710 15	Cap Swing Arm	2	2	2	
7	JB 1220 09	Domed Cap Nut	2	2	2	
8	39 2726 12	Spring Washer	2	2	2	
9	DS 1710 07	Chain Slider	1	1	1	
10	39 0553 02	Screw	2	2	2	For Chain Sider
11	39 0454 11	Plain Washer	2	2	2	For Chain Sider
12	DS 1710 13	Shaft Swing Arm	1	1	1	
13	39 1358 15	Flanged Nut	1	1	1	
14	DJ 1510 36	Adjuster Chain LH	1	1	1	
15	DJ 1510 37	Adjuster Chain RH	1	1	1	
16	39 0292 15	Hexagon Nut	4	4	4	
17	DS 1710 14	Mud Flap	1	1	1	
18	39 2060 04	Flange Bolt	2	2	2	For Mud Flap
19	DJ 1510 47	Plate Chain Adjuster	2	2	2	
20	DJ 1710 34	Nitrox Chamber Screw Assly	1	1	1	N.I.
21	DP 1710 06	Bushing Rubber	2	2	2	N.I.

Rider Foot Rest



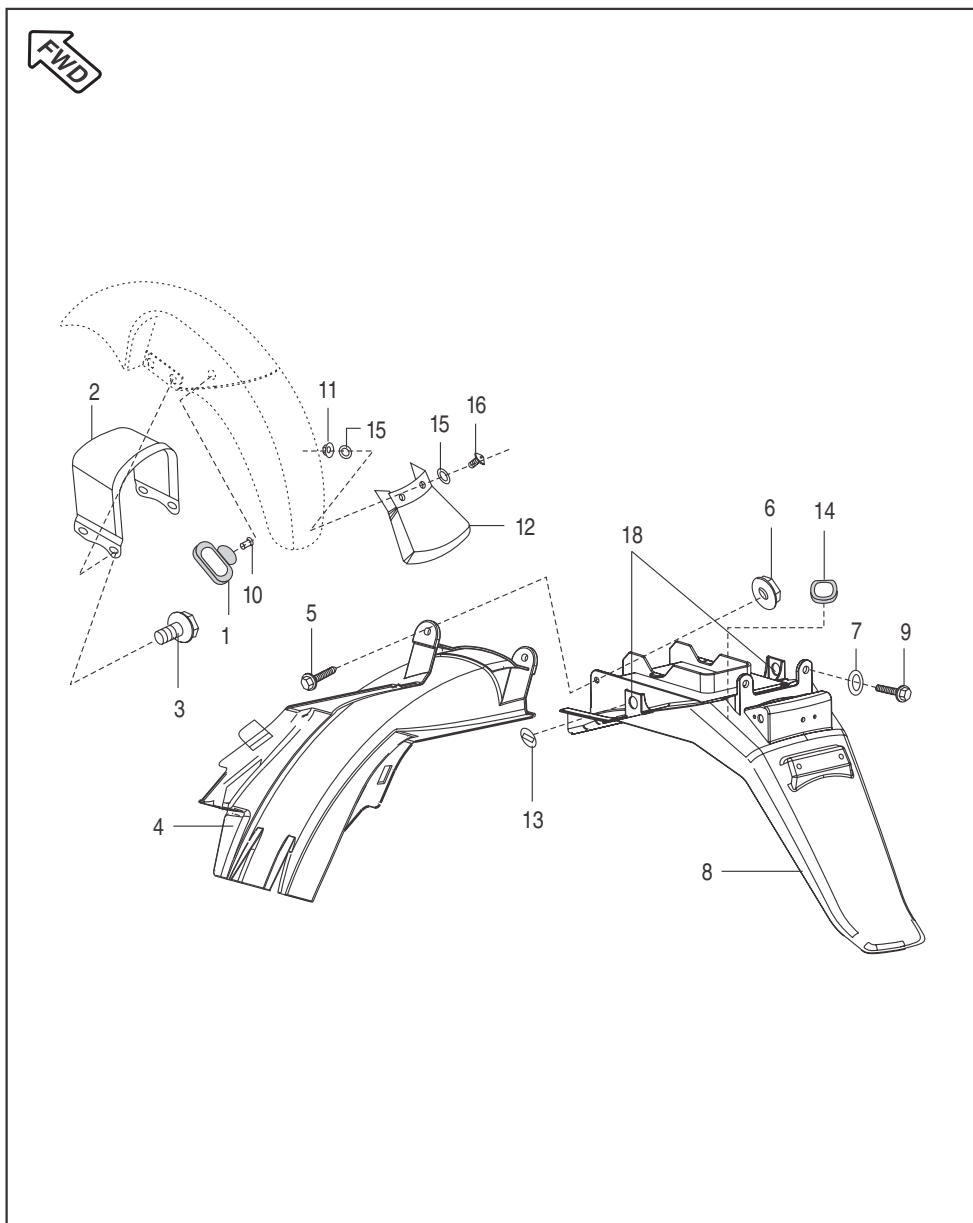
No.	Part No.	Description	DIS 125 DRUM	DIS 125 DISC	DIS 150 DISC	Remarks
1	JZ 1130 01	Main Step LH	1	1	1	
2	39 2310 04	Flange Bolt	4	4	4	
	LA D001 26	Flange Bolt	4	4	--	Re-introduced
3	JZ 1130 11	Main Step RH	1	1	1	
4	DF 1614 13	Rubber Main Step	2	2	2	
5	DH 1611 94	Damper	1	1	1	For Kick stopper

Pillion Foot Rest / Holder



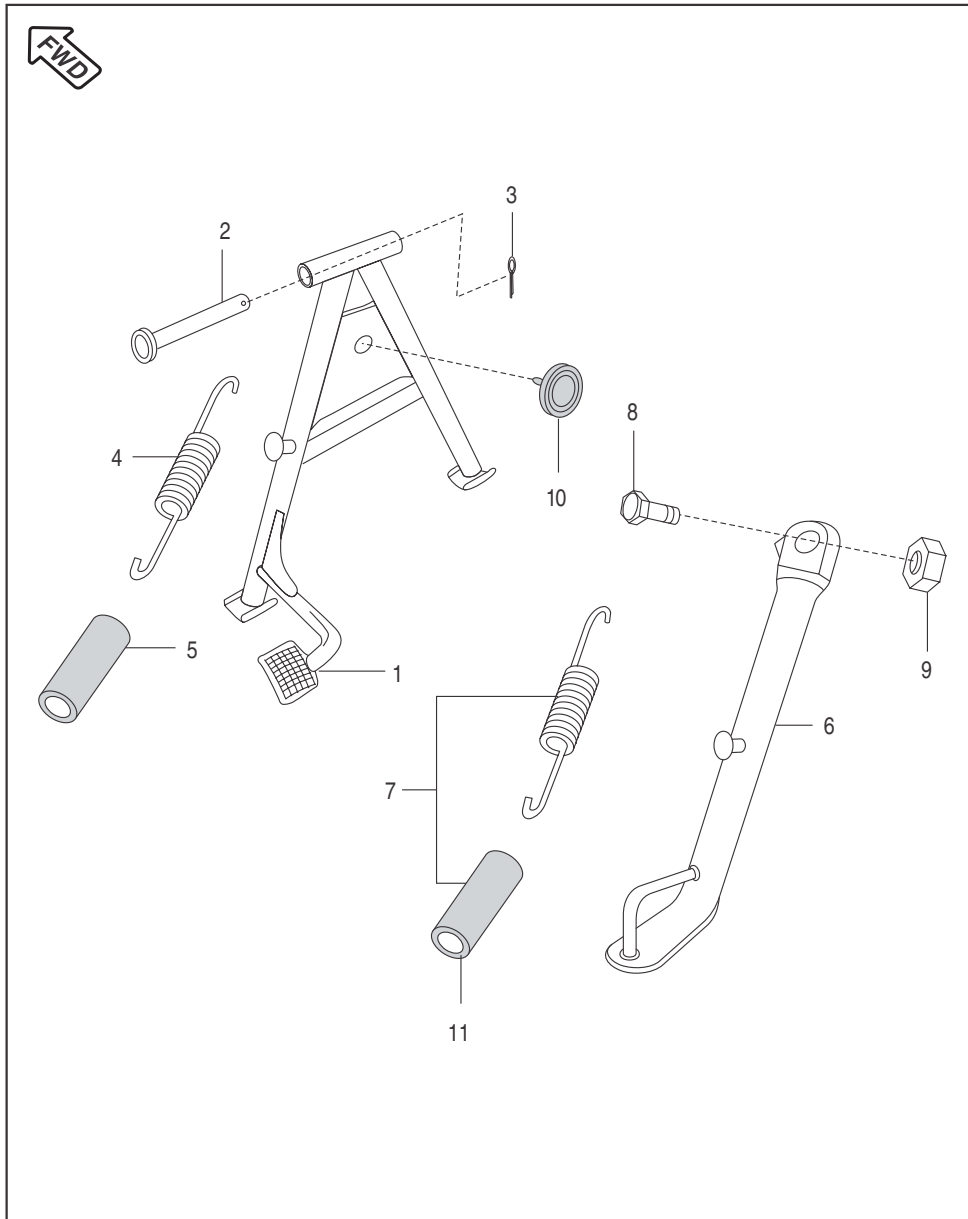
No.	Part No.	Description	DIS 125 DRUM	DIS 125 DISC	DIS 150 DISC	Remarks
1	JZ 1130 15	Holder LH Step	1	1	1	
2	JZ 1130 17	Holder RH Step	1	1	1	
3	DJ 1611 29	Step Assembly RH	1	1	1	
4	DJ 1611 22	Rubber Pillion Step	2	2	2	
5	DD 1613 81	Pin Pillion Step	2	2	2	
6	DH 1611 00	Spacer	2	2	2	For Rear Footrest
7	39 0784 08	Split Pin	2	2	2	
8	39 2722 04	Soc. Head Bolt	4	4	4	
9	30 1410 31	'O' Ring	2	2	2	
10	39 1040 11	Washer Plain	2	2	2	
11	DJ 1611 28	Step Assembly LH	1	1	1	

Mudguard - Front & Rear



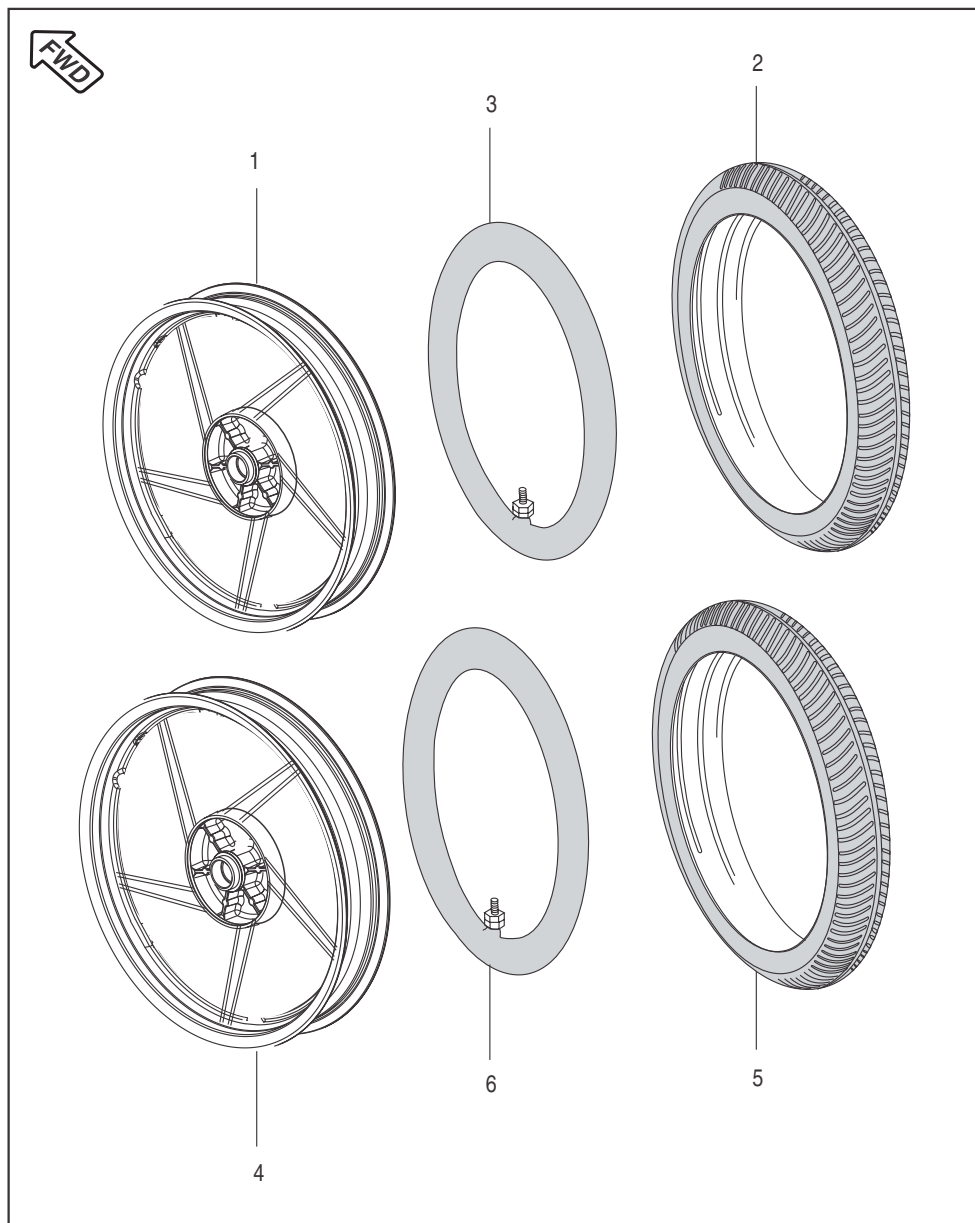
No.	Part No.	Description	DIS 125 DRUM	DIS 125 DISC	DIS 150 DISC	Remarks
1	DS 1611 25	Cable Guide	1	1	1	
2	JB 1814 21	Brace Fender	--	1	1	Fender Front Mtg
	JB 1814 16	Brace Fender	1	--	--	
3	JB 1814 12	Flange Bolt	4	4	4	
4	JZ 1814 02	Fender Rear Front	1	1	1	
5	DS1612 87	Flange Bolt	2	2	2	
6	39 0798 15	Flange Nut	2	2	2	
7	39 0211 11	Plain Washer	2	2	2	
8	JZ 1814 01	Fender Rear	1	1	1	
9	39 1943 04	Flange Bolt	2	2	2	
10	DJ 1610 69	Nail for Cable Guide	1	1	1	
11	39 0326 15	Nyloc Nut	3	3	3	
12	JB 1814 03	Flap Front Fender	1	1	1	
13	DL 1610 15	Grommet	2	2	2	
14	JZ 1814 06	Grommet Saree Guard	1	1	1	
15	39 0242 11	Washer	6	6	6	
16	39 2420 01	Screw	3	3	3	

Stand Assembly



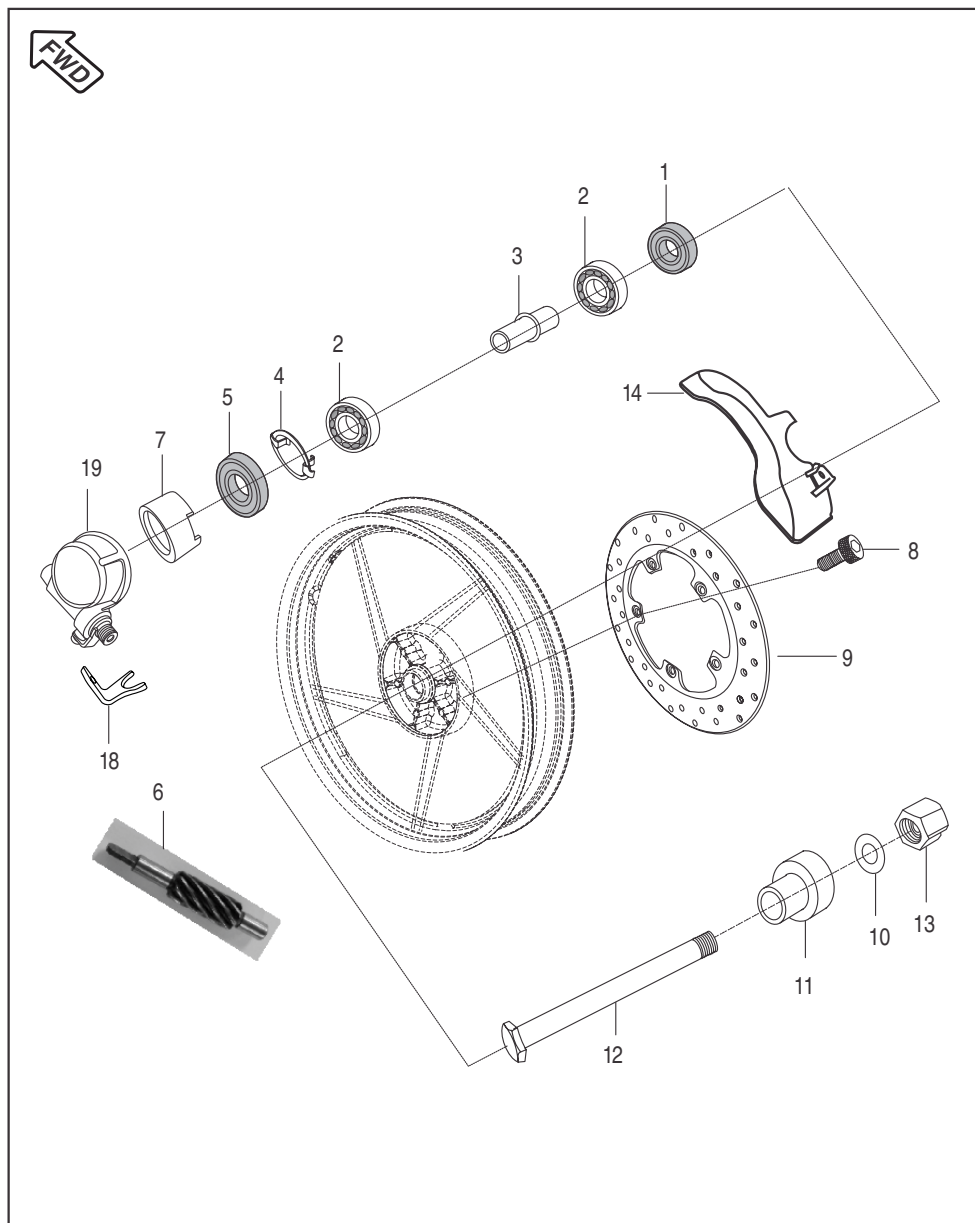
No.	Part No.	Description	DIS 125 DRUM	DIS 125 DISC	DIS 150 DISC	Remarks
1	DS 1611 13	Center Stand	1	1	1	
2	DS 1611 12	Shaft Stand	1	1	1	
3	39 0797 08	Pin Cotter	1	1	1	
4	DH 1611 21	Spring Main Stand	1	1	1	
5	DH 1611 45	Cover Spring Main Stand	1	1	1	
6	DS 1610 77	Stand Side	1	1	1	
7	DH 1612 40	Spring Side Stand with Cover	1	1	1	
8	DF 1611 02	Bolt	1	1	1	
9	39 0422 15	Nut	1	1	1	
10	JN 1132 00	Damper Main Stand	1	1	1	
11	DH 1611 46	Cover Side Stand Spring	1	1	1	

Tube / Tyre / Rim



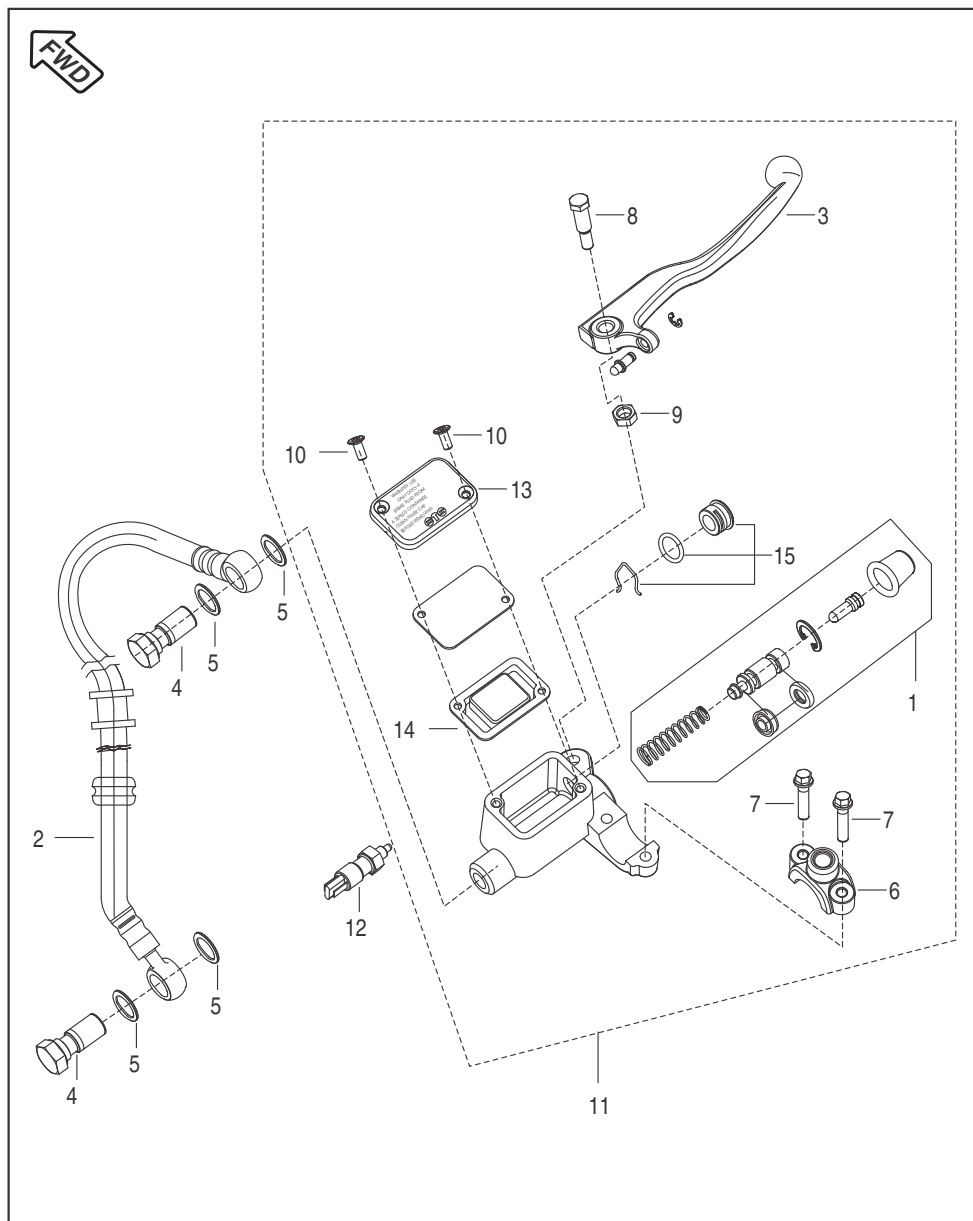
No.	Part No.	Description	DIS 125 DRUM	DIS 125 DISC	DIS 150 DISC	Remarks
1	JZ 1310 12	Wheel Rim Front	--	--	1	
	JZ 1310 14	Wheel Rim Front	--	1	--	
	JZ 1310 11	Wheel Rim Front	1	--	--	Re-introduced
	JZ 1310 41	Wheel Rim Front	--	1	--	Re-introduced
	JZ 1310 42	Wheel Rim Front	1	--	--	
2	DS 1510 48	Tyre Front	1	1	1	
3	DS 1510 49	Tube Front	1	1	1	
4	JZ 1212 06	Wheel Rim Rear	--	--	1	
	JZ 1312 13	Wheel Rim Rear	1	1	--	
	PF 1312 22	Wheel Rim Rear	1	1	--	Re-introduced
5	DS 1510 31	Tyre Rear	--	--	1	
	DS 1510 52	Tyre Rear	1	1	--	
6	DS 1510 29	Tube Rear	--	--	1	
	DS 1510 53	Tube Rear	1	1	--	

Front Hub (Disc Brake)



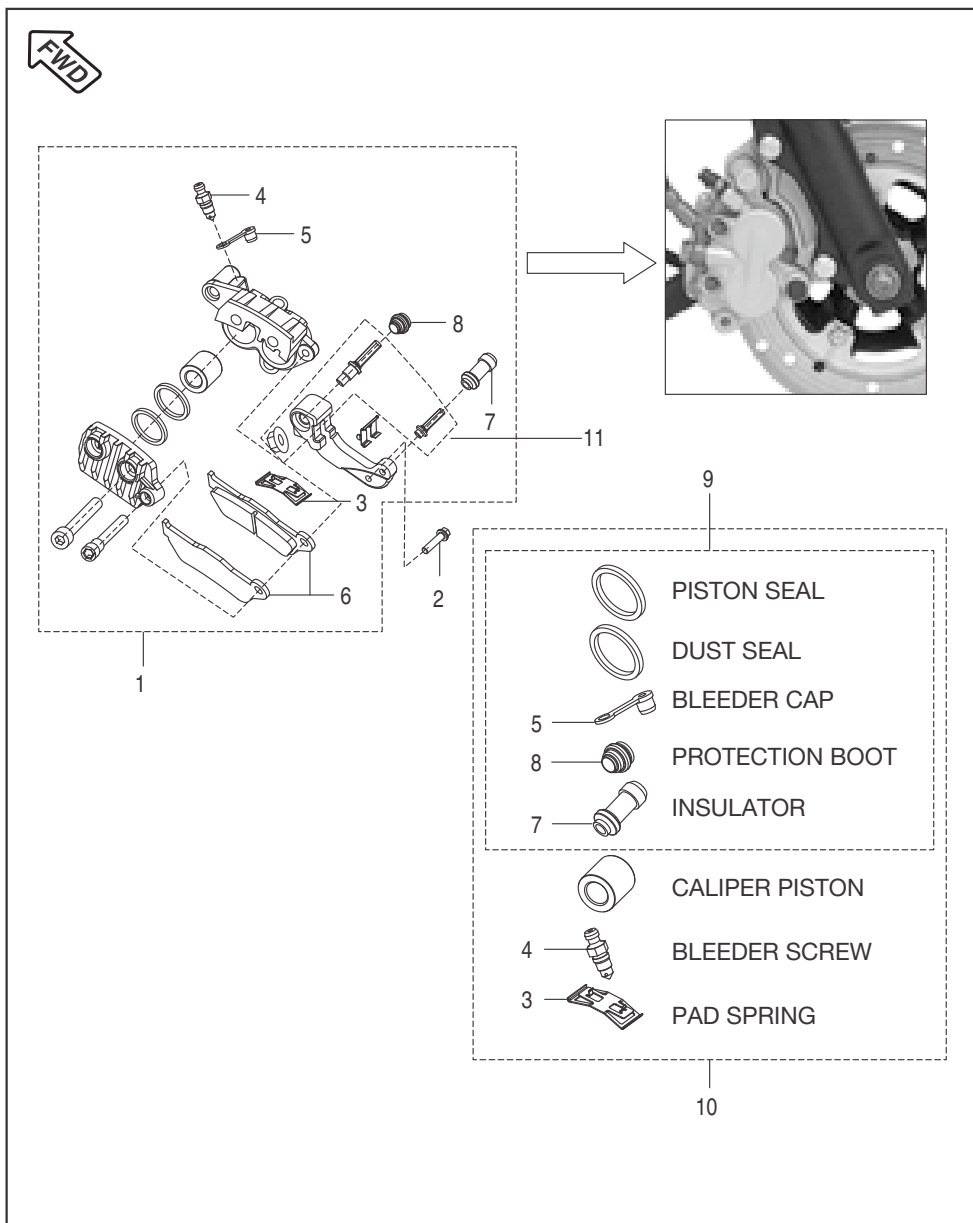
No.	Part No.	Description	DIS 125 DRUM	DIS 125 DISC	DIS 150 DISC	Remarks
1	30 1510 33	Seal Oil	--	1	1	
2	39 2688 20	Bearing Ball	--	2	2	
3	DE 1510 06	Spacer Assly	--	1	1	
4	DE 1510 12	Plate Drive	--	1	1	
5	DE 1510 08	Seal Oil	--	1	1	
6	30 1510 41	Meter Gear	--	1	1	
7	DS 1510 38	Speedo Gear	--	1	1	
8	JD 1318 11	Hex. Soc. Head Bolt	--	--	5	
	LA C000 02	Hex. Soc. Head Bolt	--	5	--	
9	JD 1318 10	Disc (240 mm Dia)	--	--	1	
	JW 1318 06	Disc (200 mm Dia)	--	1	--	
10	JB 1310 18	Plain Washer	--	1	1	
11	JN 1310 03	Spacer	--	1	1	
12	JB 1310 17	Axle	--	1	1	
13	JB 1310 19	'U' Nut	--	1	1	
14	JN 1812 06	Cover Disc	--	--	1	
	JW 1812 41	Cover Disc	--	1	--	
15	JN 1812 11	Clip Nut	--	1	1	Cover Disc Mtg
16	LB U000 04	Step Bolt	--	1	1	Cover Disc Mtg
17	LB U000 06	Truss Screw	--	--	1	Cover Disc Mtg
	LB U000 05	Truss Screw	--	1	--	Cover Disc Mtg
18	36 DU15 04	Front Hub Bushing Kit	--	1	1	
19	DJ 151057	Case Meter Assly	--	--	1	Up to 30.11.2010
	JZ 1316 01	Case Meter Assly- Screw Mtg	--	1	1	
	JZ 1316 11	Case Meter Assly- Screw Mtg	--	1	--	Re-introduced

Front Master Cylinder



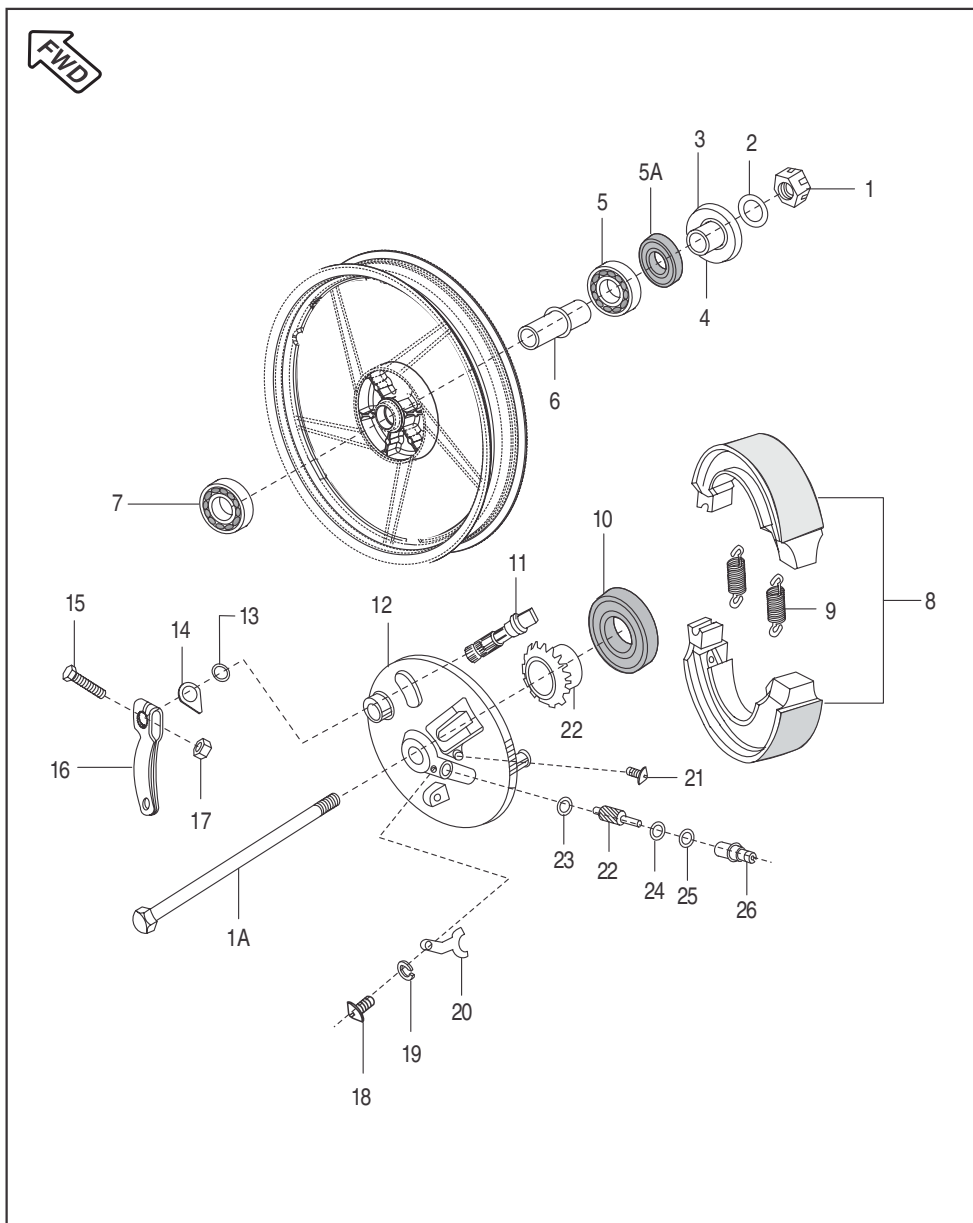
No.	Part No.	Description	DIS 125 DRUM	DIS 125 DISC	DIS 150 DISC	Remarks
1	DJ 1910 23	Major Kit - Master Cylinder	--	1	1	Refer Cir-F-31
	36 DJ40 31	Major Kit-M Cyl with Grease	--	1	1	
2	JN 1318 00	Hose Brake Front	--	--	1	
	JW 1318 05	Hose Brake Front	--	1	--	
3	DJ 1910 06	Lever Grip RH	--	1	1	
4	DE 1910 11	Banjo Bolt	--	2	2	
5	DE 1910 10	Washer Copper	--	4	4	
6	DE 1910 33	Clamp Holder RH	--	1	1	
7	DE 1910 34	Bolt	--	2	2	
8	DE 1910 31	Bolt Front Brake Lever	--	1	1	
9	DE 1910 32	Nut Flanged	--	1	1	
10	DE 1910 30	Screw	--	2	2	
11	DE 1510 15	Cylinder Master with Lever	--	1	1	
12	DE 2010 16	Front Brake Switch	--	1	1	
13	DE 1910 29	Reservoir Cover	--	1	1	
14	DE 1910 28	Diaphragm	--	1	1	
15	DE 1910 35	'O' Ring Master Cylinder Kit	--	1	1	
16	DJ 2011 08	Cable Assly for Switch	--	1	1	N.I.
17	JN 1318 04	Clamp Hose Pipe - Upper	--	1	1	N.I.

Front Disc Brake Caliper Assly



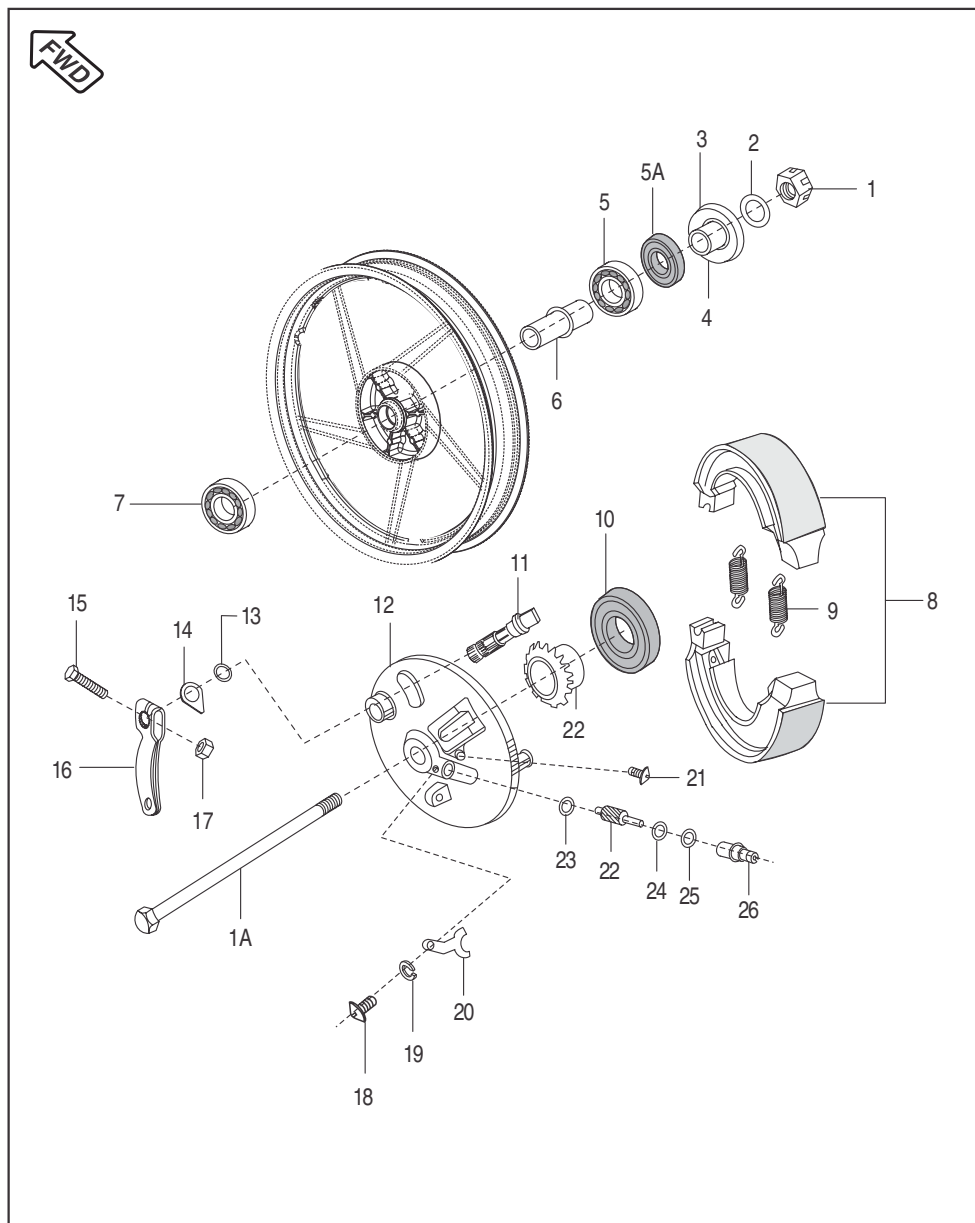
No.	Part No.	Description	DIS 125 DRUM	DIS 125 DISC	DIS 150 DISC	Remarks
1	JD 1318 13	Caliper Assly Front	--	--	1	
	JW 1318 01	Caliper Assly Front	--	1	---	
2	DJ 1612 80	Bolt Flanged Caliper Mounting	--	2	2	
3	DE 1510 48	Spring Pad	--	1	1	
4	DE 1510 46	Bleeder Screw	--	1	1	
5	DE 1510 47	Bleeder Cap	--	1	1	
6	DE 1510 37	Disc Pad Set	--	--	1	
	JW 1318 07	Disc Pad Set	--	1	---	
7	DJ 1510 72	Insulator	---	---	1	
	DE 1510 43	Insulator	--	1	---	
8	DJ 1510 73	Protection Boot	--	--	1	
	DE 1510 45	Protection Boot	--	1	---	
9	DJ 1510 74	Minor Kit - Caliper	--	--	1	
	JW 1318 09	Minor Kit - Caliper	--	1	---	
	36 DJ40 32	Minor Kit - Caliper With Grease	---	---	1	Refer Cir F-31
10	DJ 1510 75	Major Kit - Caliper	--	1	1	
	36 DJ40 33	Major Kit - Caliper With Grease	--	1	1	Refer Cir F-31
11	JW 1318 10	Anchor Pin Kit	--	1	1	
12	JW 1318 02	Holder Bracket	--	1	---	

Front Hub (Drum Brake)



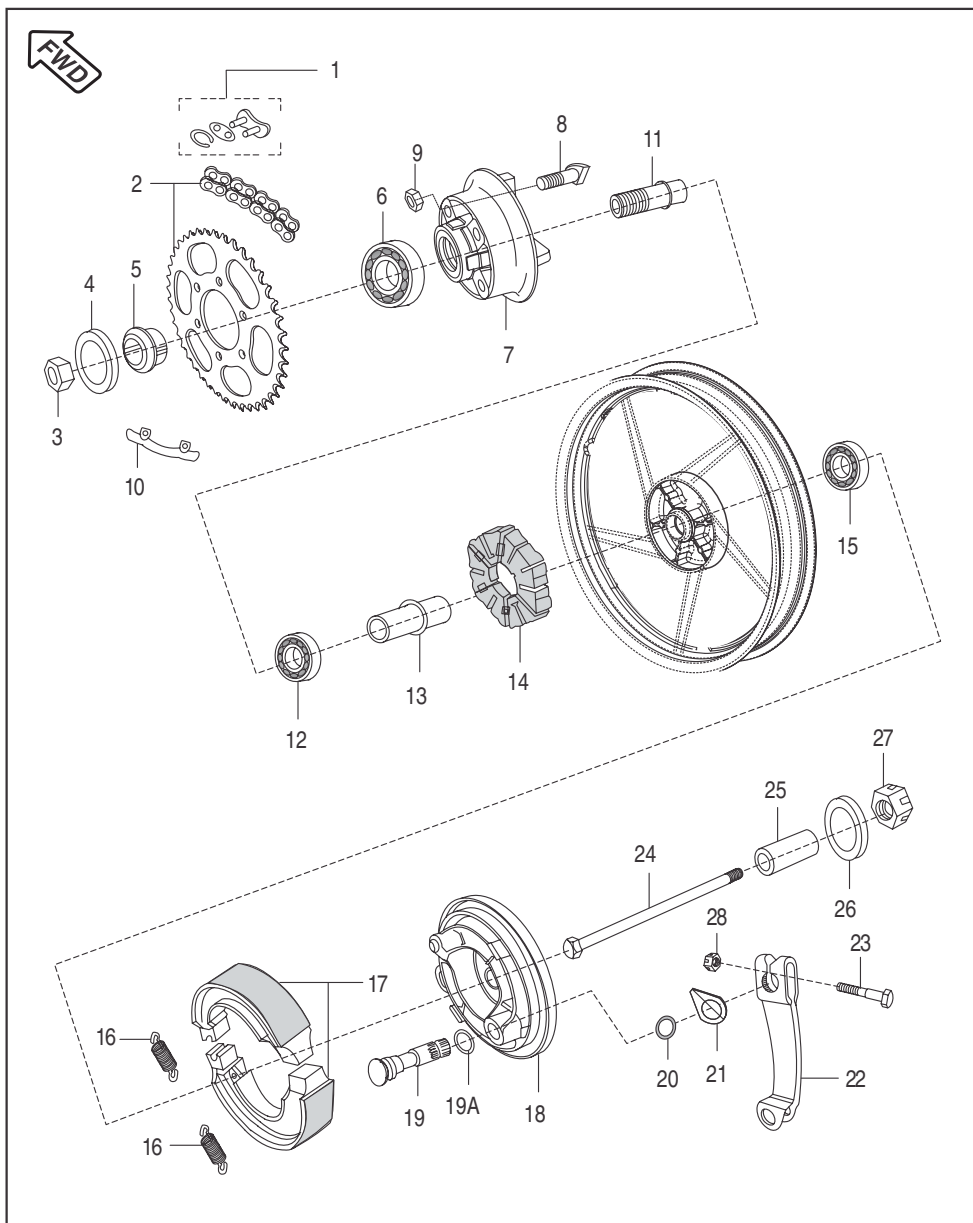
No.	Part No.	Description	DIS 125 DRUM	DIS 125 DISC	DIS 150 DISC	Remarks
1	JB 1310 19	U Nut (M12)	1	--	--	
1A	JB 1310 17	Axle Front Wheel	1	--	--	
2	JB 1310 18	Plain Washer	1	--	--	
3	DS 1510 56	Dust Seal	1	--	--	N.S.
4	JB 1310 22	Spacer + Dust Seal (Assembly)	1	--	--	
5	39 2680 20	Bearing Ball	1	--	--	
5A	PA 1310 03	Oil Seal	1	--	--	
6	PA 1316 00	Collar Bearing	1	--	--	
7	39 2681 20	Ball Bearing	1	--	--	
8	30 1510 68	Shoe Brake	2	--	--	
9	30 1510 69	Spring	2	--	--	
10	14 1510 21	Oil Seal	1	--	--	
11	DS 1510 89	Cam Brake Assly.	1	--	--	
	30 1510 04	Cam Brake Assly.	1	--	--	Re-introduced
12	DS 1510 87	Panel Front Brake	1	--	--	
	JA 1316 04	Panel Front Brake	1	--	--	Re-introduced
13	30 1510 38	Ring 'O'	1	--	--	
14	DS 1510 91	Indicator	1	--	--	
	DD 1510 09	Indicator	1	--	--	Re-introduced
15	DS 1510 95	Bolt	1	--	--	
	39 0775 04	Bolt	1	--	--	Re-introduced
16	DS 1510 92	Lever Brake Cam	1	--	----	
	JA 1316 07	Lever Brake Cam	1	--	--	Re-introduced

Front Hub (Drum Brake)

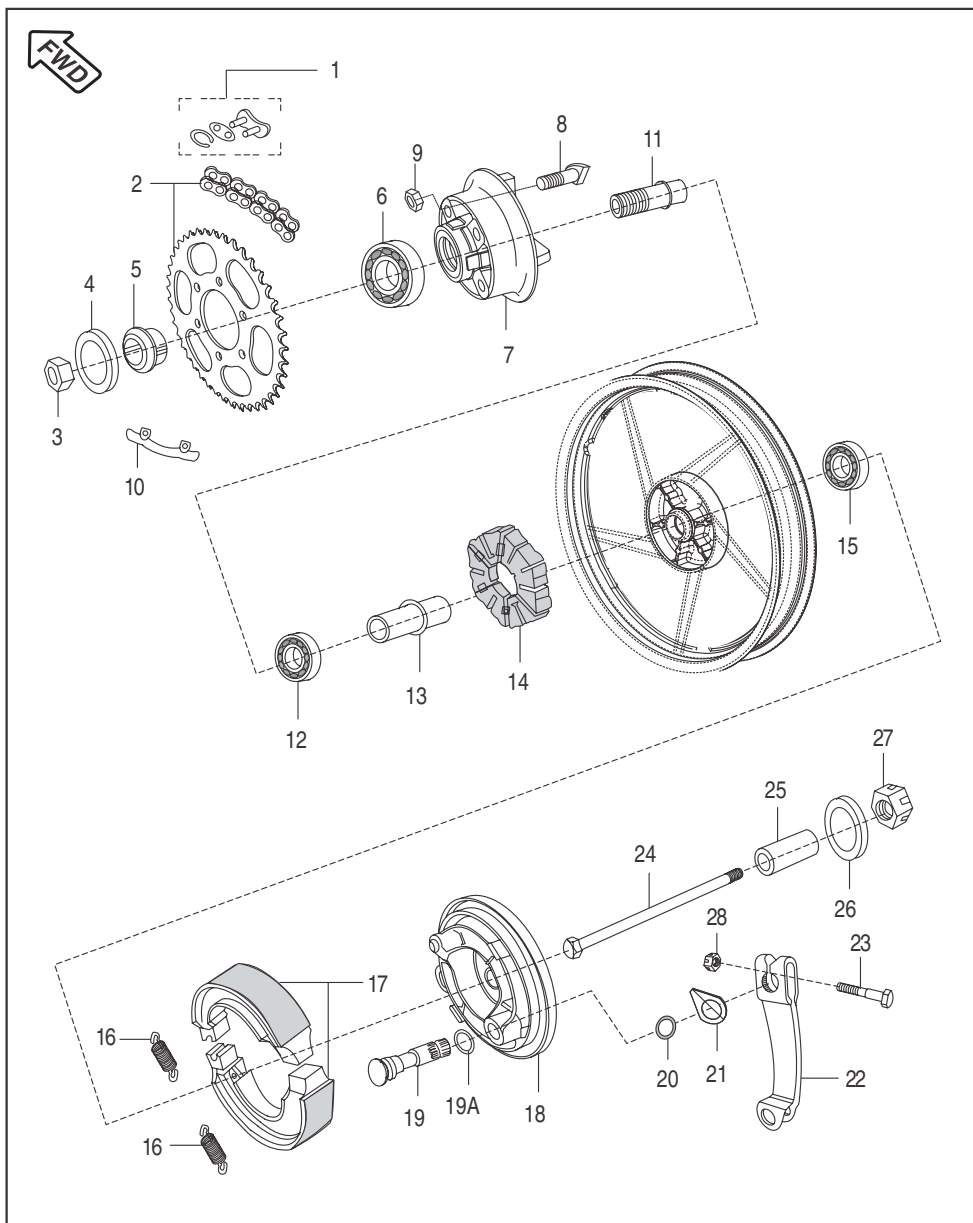


No.	Part No.	Description	DIS 125 DRUM	DIS 125 DISC	DIS 150 DISC	Remarks
17	DS 1510 94	Nut	1	--	--	
	39 0798 15	Nut	1	--	--	Re-introduced
18	39 0840 01	Pan Headed Screw	1	--	--	
19	39 0263 12	Washer Spring	1	--	--	
20	30 1511 18	Stopper for Bushing	1	--	--	
21	LB D000 01	Screw	1	--	--	To Secure Speedo Cable
22	36 DS 15 02	Speedometer Gear Kit	1	--	--	
23	30 1510 35	Seal Oil	1	--	--	
24	30 1510 42	Washer Plain	2	--	--	For Gear Meter Screw
25	39 1013 21	'O' Ring	1	--	--	
26	JA 1316 06	Bushing Speedo Gear	1	--	--	

Rear Hub



No.	Part No.	Description	DIS 125 DRUM	DIS 125 DISC	DIS 150 DISC	Remarks
1	DJ 1510 53	Drive Chain Lock	--	--	1	
	DX 1510 81	Drive Chain Lock	1	1	--	
2	36 JZ00 07	Chain Sprocket Kit	--	--	1	
	36 JZ00 26	Chain Sprocket Kit	1	1	--	
3	LC A000 01	Nut	1	1	1	
4	LD B000 02	Plain Washer	1	1	1	
5	DJ 1510 35	Collar Assly	1	1	1	
6	39 2240 20	Bearing Ball	1	1	1	
7	DS 1510 68	Coupling	1	1	1	
8	DS 1510 73	'D' Bolt	4	4	4	
9	39 0794 15	Hex Lock Nut	4	4	4	
10	DS 1510 74	Washer	2	2	2	
11	DJ 1510 33	Sleeve	1	1	1	
12	39 2686 20	Bearing Ball	1	1	1	
13	30 1510 75	Collar Bearing	1	1	1	
14	DJ 1510 88	Damper	1	1	1	
	DK 1510 94	Damper	1	1	1	Re-introduced
15	39 2687 20	Bearing Ball	1	1	1	
16	30 1510 69	Spring	2	2	2	
17	30 1510 05	Shoe Brake Assly	2	2	2	
18	DJ 1510 92	Panel Rear Brake	1	1	1	
	DS 1510 69	Panel Rear Brake	1	1	--	Re-introduced
19	30 1510 12	Cam Brake	1	1	1	
	30 1510 11	Cam Brake	1	1	--	Re-introduced



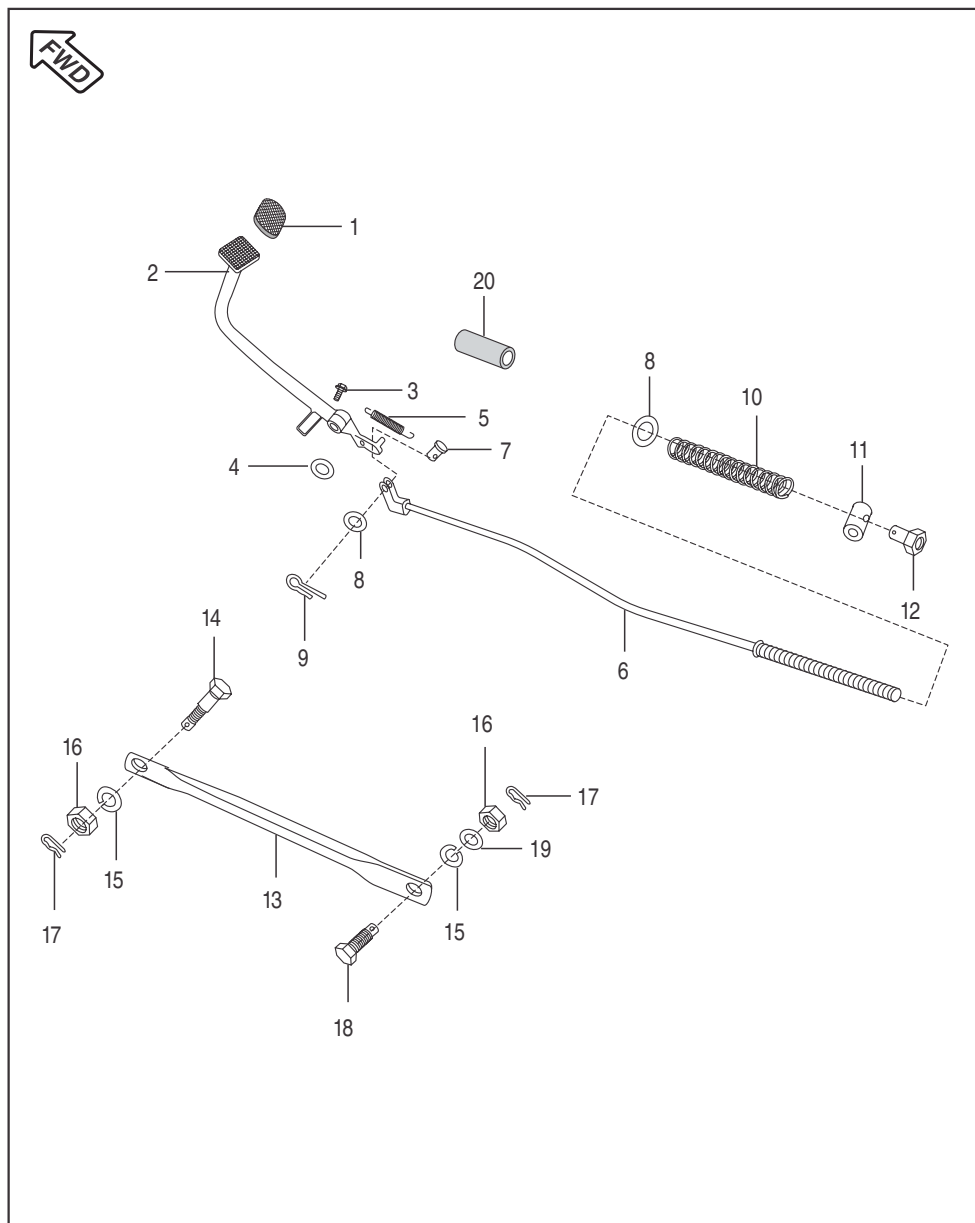
**FWD** Front Wheel Direction

Rear Hub

No.	Part No.	Description	DIS 125 DRUM	DIS 125 DISC	DIS 150 DISC	Remarks
19A	39 0722 11	Plain Washer	1	1	1	
20	30 1510 38	Ring 'O'	1	1	1	
21	DS 1510 90	Indicator	1	1	1	
	30 1510 05	Indicator	1	1	--	Re-introduced
22	JZ 1318 03	Lever Brake	1	1	1	
	JZ 1318 91	Lever Brake	1	1	--	Re-introduced
23	JB 1312 24	Bolt	1	1	1	
	39 2447 04	Bolt	1	1	--	Re-introduced
24	JN 1312 11	Axle	1	1	1	
25	DX 1510 22	Collar	1	1	1	
26	LD B000 01	Plain Washer	1	1	1	
27	DJ 1710 33	'U' Nut	1	1	1	
28	DS 1510 94	Nut M6	1	1	1	
	39 0798 15	Nut M6	1	1	--	Re-introduced

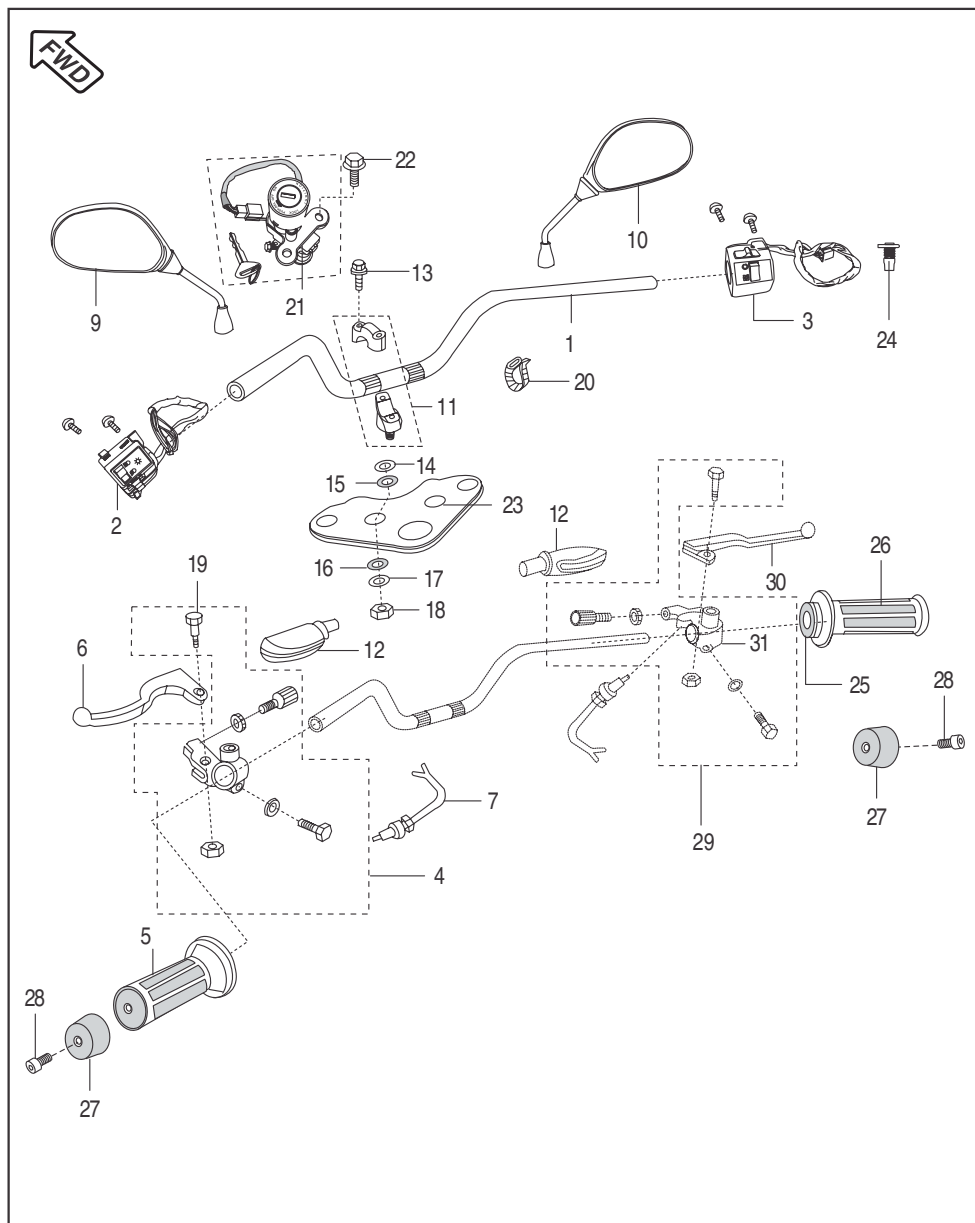
Brand ID: 001MC643 (DISCOVER 150)  
Brand ID: 001MC645 (DISCOVER 125)

Rear Brake Pedal



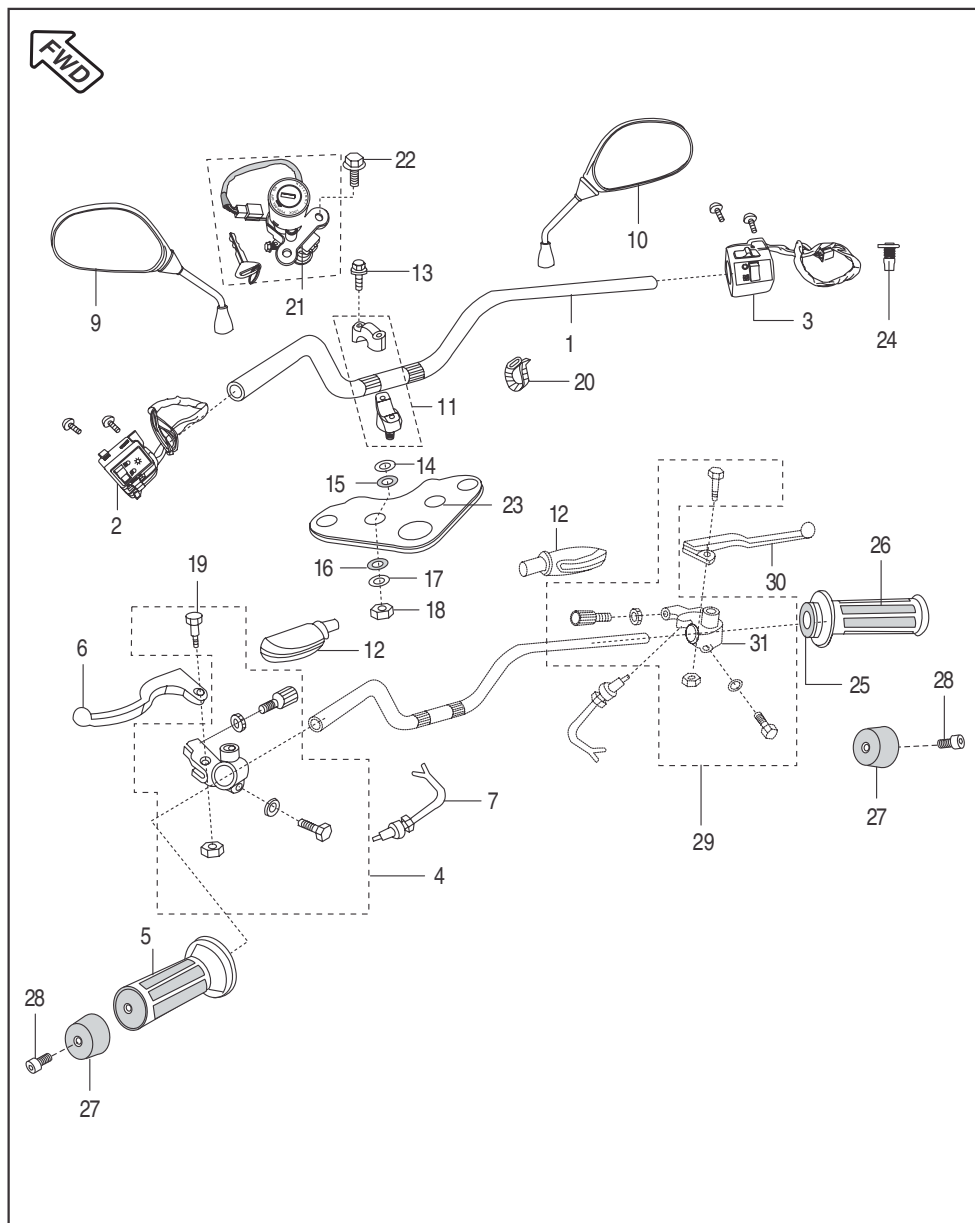
No.	Part No.	Description	DIS 125 DRUM	DIS 125 DISC	DIS 150 DISC	Remarks
1	JA 1610 03	Pad Lever Brake	1	1	1	
2	JZ 1610 02	Brake Pedal	1	1	1	
	PA 1610 12	Brake Pedal	1	1	--	Re-introduced
3	39 1680 04	Hex. Bolt	1	1	1	
4	DG 1910 45	Washer	1	1	1	
5	DS 1910 11	Brake Pedal Spring	1	1	1	
6	JZ 1610 04	Rod Brake	1	1	1	
7	30 1910 38	Pin	1	1	1	
8	39 0198 11	Plain Washer	2	2	2	
9	39 0808 08	Split Pin	1	1	1	
10	30 1910 35	Spring	1	1	1	
11	15 1910 26	Pin	1	1	1	
12	30 1910 36	Brake Adjuster Nut	1	1	1	
13	DS 1510 25	Rod Torque	1	1	1	
14	DH 1510 29	Step Bolt	1	1	1	
15	39 0789 12	Spring Washer	2	2	2	
16	39 0694 15	Nut Hex. Lock	2	2	2	
17	39 0807 08	Pin Snap	2	2	2	
18	30 1510 96	Hex. Bolt	1	1	1	
19	39 1540 11	Plain Washer	1	1	1	
20	JZ 1610 06	Sleeve Brake Return Spring	1	1	1	
21	39 1672 04	Bolt M - 6	1	1	1	
22	39 0292 15	Hex Nut M-6	1	1	1	For Brake Pedal Adjuster
23	36 DH40 14	Brake Adjusting Kit	1	1	1	Include Sr. No. 7 to 11

Handle Bar



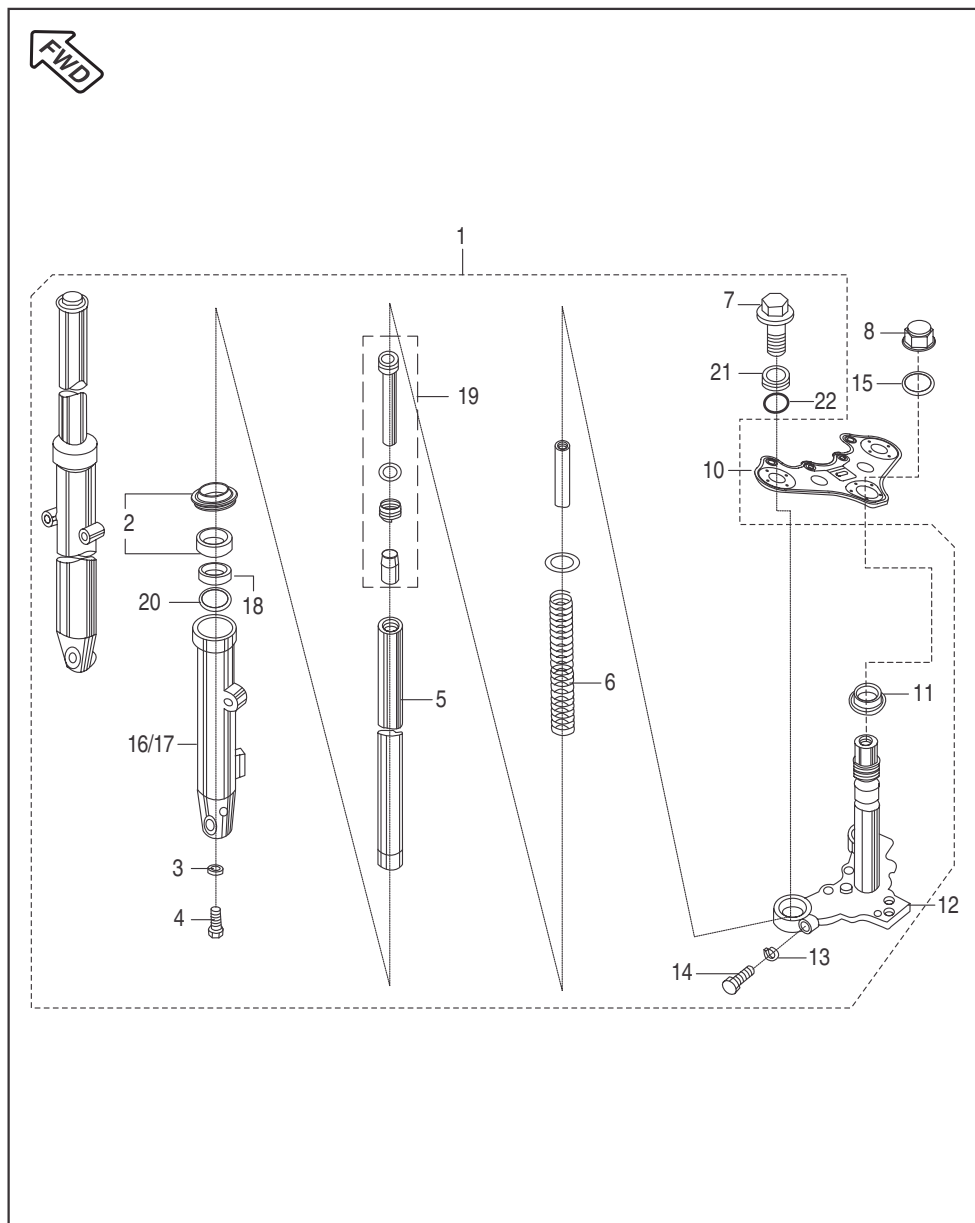
No.	Part No.	Description	DIS 125 DRUM	DIS 125 DISC	DIS 150 DISC	Remarks
1	DS 1810 44	Handle Bar	1	1	1	
2	JB 4014 00	Control Switch LH	1	1	1	
3	JB 4014 01	Control Switch RH	1	1	1	
	PA 4014 05	Control Switch RH	1	1	1	Refer Ser Cir-F30
4	DJ 1910 54	Holder LH	1	1	1	
	PA 4014 00	Holder LH Assly	1	1	1	N.I.
	JZ 1610 23	Lever & Holder Assly	1	1	1	Refer Ser Cir-F32
5	DS 1910 15	Grip LH	1	1	1	
6	DJ 1910 55	Lever Grip Left	1	1	1	
	DJ 1910 83	Lever Grip Left	1	1	1	Refer Ser Cir-F-32
7	PA 4014 01	Clutch Switch with Seal Coupler	1	1	1	
	JZ 4014 03	Clutch Switch with Vertical Base	1	1	1	Refer Ser Cir-F-32
8	DS 1910 52	Boot for Lever LH	1	1	1	
9	DJ 2210 03	Mirror Assly. LH	1	1	1	
10	DJ 2210 04	Mirror Assly. RH	1	1	1	
11	36 DS18 01	Kit Holder Handle	2	2	2	
12	DS 1910 18	Boot for Lever RH	1	1	1	
13	39 2582 04	Flange Bolt	--	--	4	
	39 1714 04	Flange Bolt	4	4	--	
14	DS 1810 07	Washer Handle Upper	2	2	2	
15	DS 1810 08	Damper Handle Upper	2	2	2	
16	DS 1810 09	Damper Handle Lower	2	2	2	
17	DS 1810 10	Washer Handle Lower	2	2	2	
18	39 0422 15	Nylock Nut	2	2	2	
19	DL 1910 14	Stud LH (R.H)	--	--	1	
	39 2249 15	Stud LH (R.H.)	1	1	--	

Handle Bar



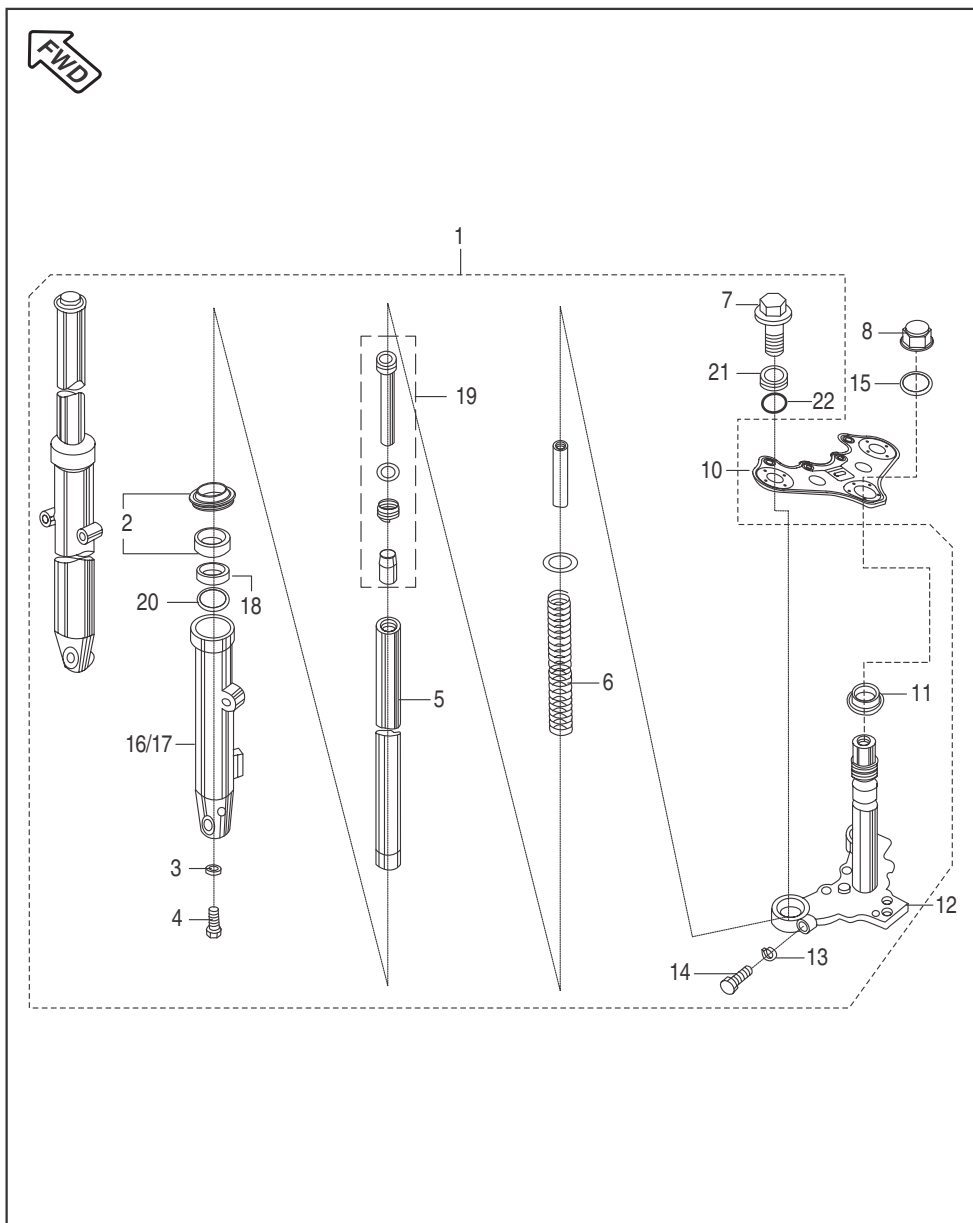
No.	Part No.	Description	DIS 125 DRUM	DIS 125 DISC	DIS 150 DISC	Remarks
20	30 1910 48	Band	2	2	2	
21	JZ 2326 00	3 in One Lock Set	1	1	1	
22	39 1912 04	Flange Bolt	2	2	2	For Ignition Switch
23	JZ 1510 23	Holder Fork Upper	1	1	1	
24	DU 2010 46	Plunger With Spring	1	1	1	Part of Ride Control Switch
25	DX 1910 01	Throttle Pipe	1	1	1	
26	DS 1910 16	Hand Grip RH	1	1	1	
27	DH 1810 22	Handel Bar Weight	2	2	2	
28	39 2427 04	Socket Bolt	2	2	2	
29	DX 1910 09	Lever Assembly RH	1	-	-	
30	DD 1911 42	Lever Grip RH	1	-	-	
31	DS 1910 33	Holder RH	1	-	-	

Front Fork



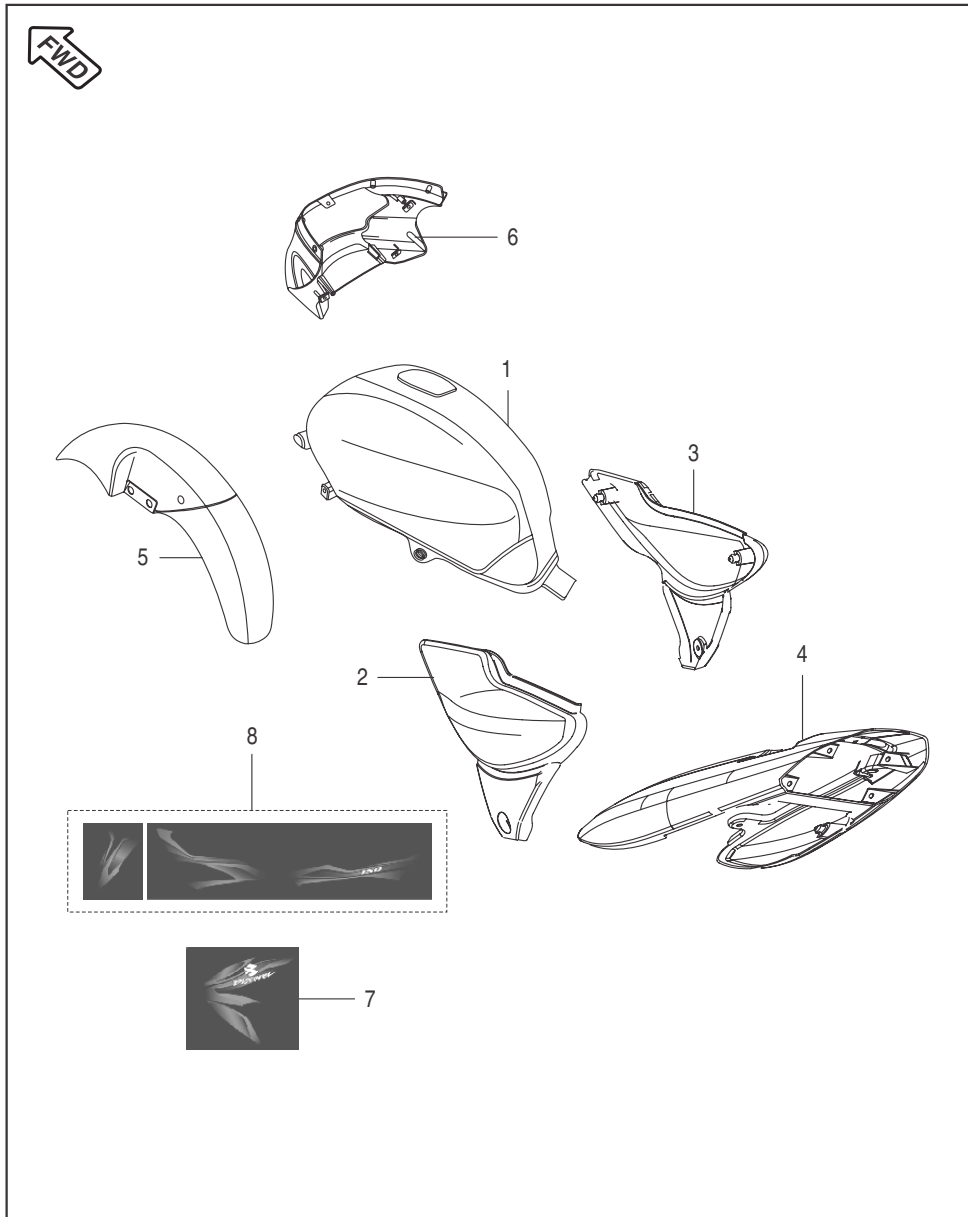
No.	Part No.	Description	DIS 125 DRUM	DIS 125 DISC	DIS 150 DISC	Remarks
1	JZ 1510 00	Fork Front	--	--	1	
	JZ 1510 43	Fork Front	1	--	--	
	JZ 1510 57	Fork Front	--	1	--	
	JZ 1210 55	Fork Front	--	1	--	Re-introduced
	JZ 1210 56	Fork Front	1	--	--	Re-introduced
2	36 Dz00 20	Front Fork Seal Kit	1	1	1	
3	30 1810 26	Gasket	2	2	2	
4	30 1810 25	Bolt	2	2	2	
5	JA 1510 13	Fork Pipe Inner	2	2	2	
6	DJ 1811 04	Spring Front Fork	2	2	2	
7	59 0400 06	Bolt Fork	2	2	2	With Washer
8	DS 1810 15	Cap Nut Fork	1	1	1	
9	DS 1810 16	Plain Washer	1	1	1	For Cap Nut
10	JZ 1510 23	Holder Fork upper	1	1	1	
11	DH 1810 23	Bearing Cone	1	1	1	
12	JZ 1510 36	Under Bracket Fork	1	1	1	
13	39 0789 12	Spring Washer	2	2	2	
14	39 1181 01	Bolt	2	2	2	
15	DS 1810 16	Washer	2	2	2	
16	JZ 1510 04	Outer Tube LH	--	--	1	
	JZ 1510 61	Outer Tube LH	--	1	--	
	JW 1510 05	Outer Tube LH	1	--	--	
	JZ 1210 59	Outer Tube LH	--	1	--	Re-introduced
	JZ 1210 63	Outer Tube LH	1	--	--	Re-introduced
	17	JZ 1510 06	Outer Tube RH	--	--	1
JZ 1510 59		Outer Tube RH	--	1	--	
JW 1510 07		Outer Tube RH	1	--	----	
JZ 1210 60		Outer Tube RH	--	1	--	Re-introduced
JZ 1210 64		Outer Tube RH	1	--	--	Re-introduced

Front Fork



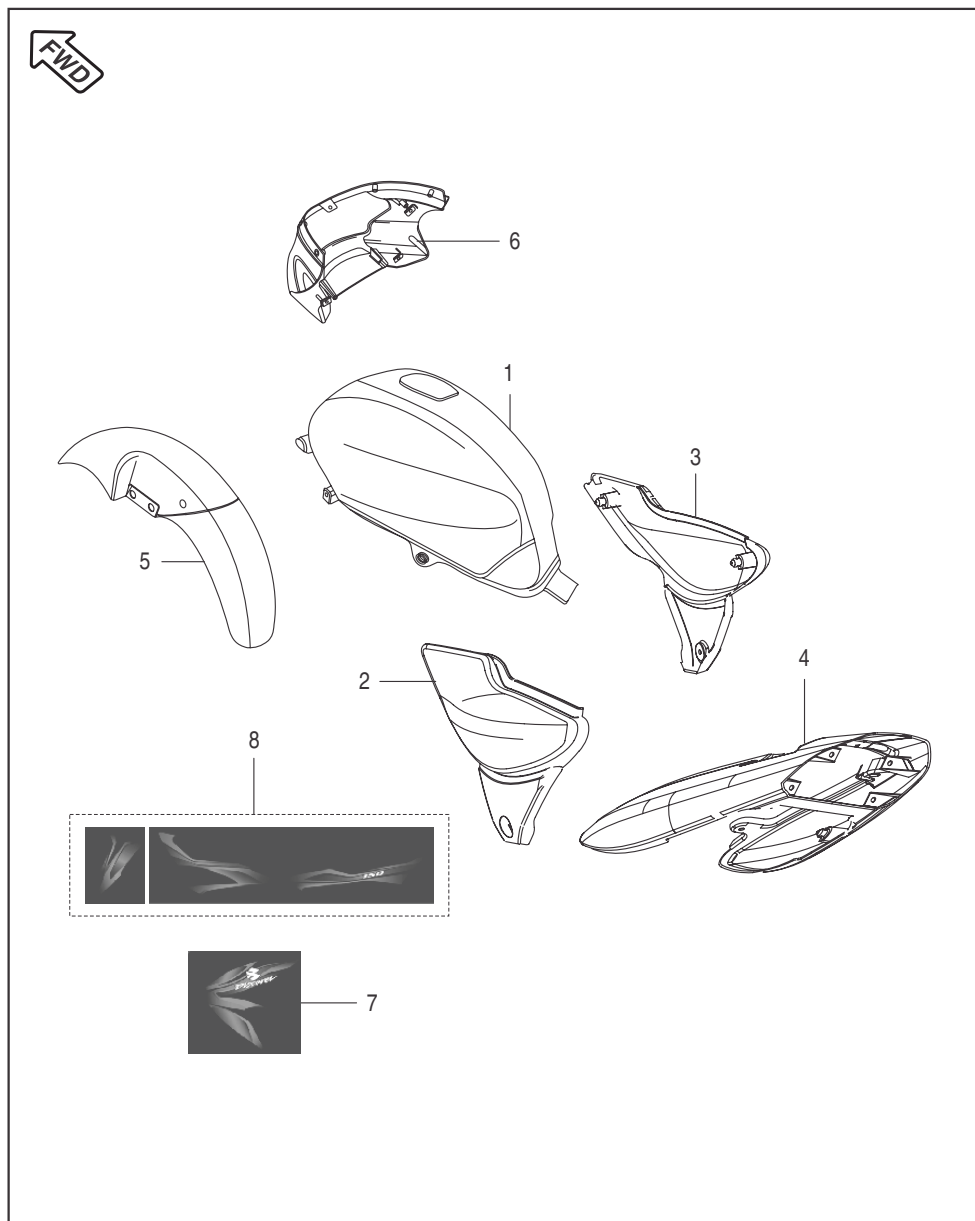
No.	Part No.	Description	DIS 125 DRUM	DIS 125 DISC	DIS 150 DISC	Remarks
18	JK 1210 07	Anti Friction Bush	2	2	2	
19	JW 1510 23	Cylinder Complete Fork	2	-	2	
	36 JZ00 40	Cylinder Complete Fork	--	2	--	
20	JK 1210 09	Washer Anti Friction Bush	2	2	2	
21	DS 1810 12	Bolt Fork	2	2	2	
22	31 1811 02	'O' Ring	2	2	2	
23	JZ 1210 57	Leg Assembly LH	--	1	--	Re-introduced
	JZ 1210 61	Leg Assembly LH	1	--	--	Re-introduced
24	JZ 1210 58	Leg Assembly RH	--	1	--	Re-introduced
25	JZ 1210 62	Leg Assembly RH	1	--	--	Re-introduced

Painted Parts and Decals

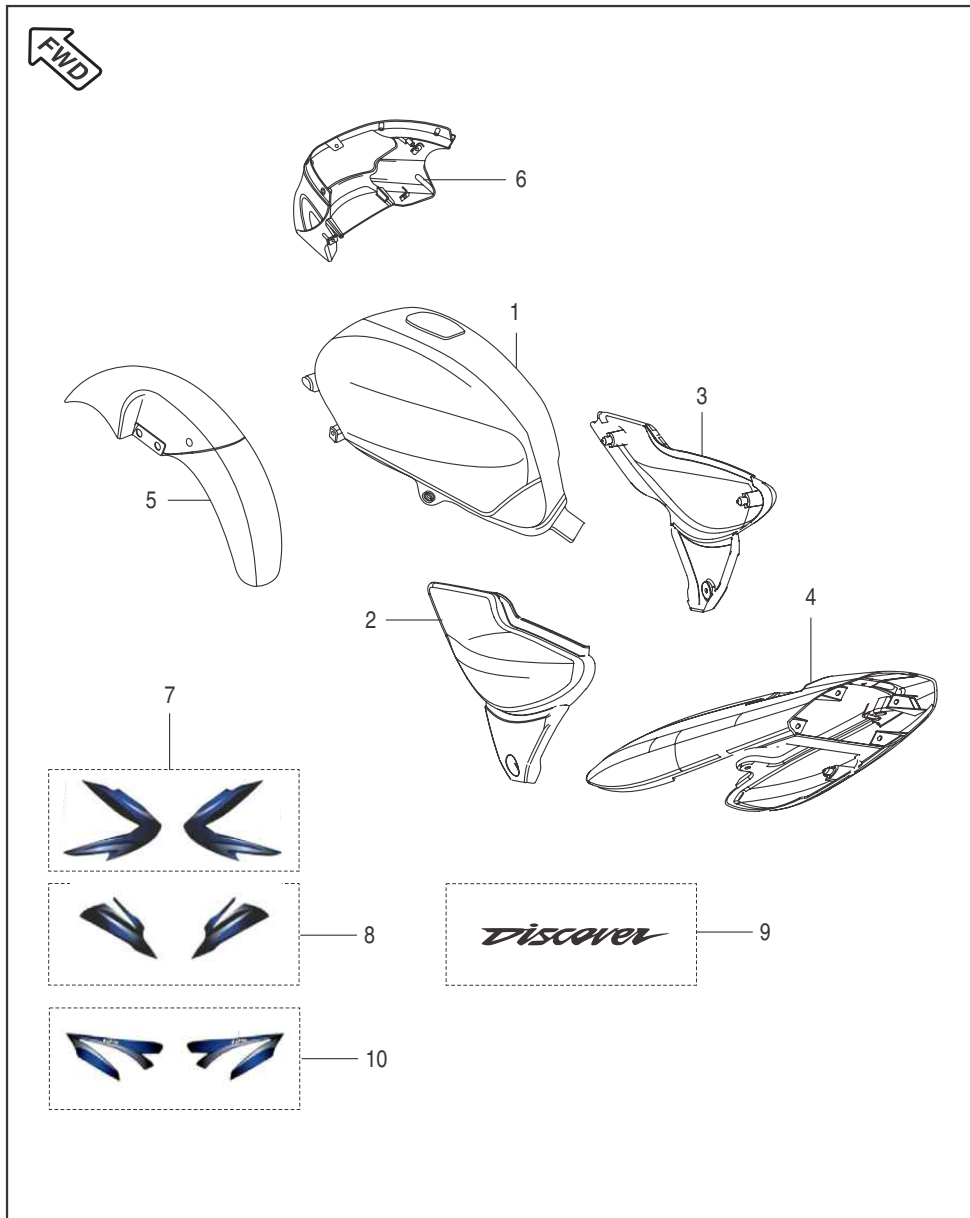


No.	Part No.	Description	DIS 125 DRUM	DIS 125 DISC	DIS 150 DISC	Remarks
1	JZ 7101 3B	Fuel Tank with Decal	--	--	1	Blue Decals
	JZ 7101 5A	Fuel Tank with Decal	--	--	1	Blue2 Decals
	JZ 7101 3C	Fuel Tank with Decal	1	1	1	Red Decals
	JZ 7101 5B	Fuel Tank with Decal	1	1	1	Red2 Decals
	JZ 7101 5D	Fuel Tank with Decal	1	1	1	Green Gold
	JZ 7101 5E	Fuel Tank with Decal	1	1	1	Magenta Red
	JZ 7101 3F	Fuel Tank-Flame Red	1	1	1	F-26
2	52 JZ00 20	Side Cover LH	--	--	1	Blue Decals
	52 JZ00 14	Side Cover LH	--	--	1	Red Decals
	52 JZ00 51	Side Cover LH	1	1	1	Blue2 Decals
	52 JZ00 53	Side Cover LH	1	1	1	Red2 Decals
	52 JZ00 97	Side Cover LH	1	1	1	Green Gold
	52 JZ01 15	Side Cover LH	1	1	1	Magenta Red
	52 JZ02 36	Side Cover LH-Flame Red	1	1	1	F-26
	3	52 JZ00 21	Side Cover RH	--	--	1
52 JZ00 15		Side Cover RH	--	--	1	Red Decals
52 JZ00 50		Side Cover RH	1	1	1	Blue2 Decals
52 Jz00 52		Side Cover RH	1	1	1	Red2 Decals
52 JZ00 98		Side Cover RH	1	1	1	Green Gold
52 JZ01 16		Side Cover RH	1	1	1	Magenta Red
52 JZ02 37		Side Cover RH-Flame Red	1	1	1	F-26
4		JZ 7303 3B	Seat Cowl Assembly	--	--	1
	JZ 7303 3C	Seat Cowl Assembly	--	--	1	Red Decals
	JZ 7303 5A	Seat Cowl Assembly	--	--	1	Blue2 Decals
	JZ 7303 5B	Seat Cowl Assembly	--	--	1	Red2 Decals
	52 JZ00 99	Seat Cowl Assembly	--	--	1	Green Gold
	JZ 7303 5E	Seat Cowl Assembly	--	--	1	Magenta Red
	JZ 7304 5D	Seat Cowl Assembly	1	1	--	Green Gold
	JZ 7304 5E	Seat Cowl Assembly	1	1	--	Magenta Red
	JZ 7304 5A	Seat Cowl Assembly	1	1	--	Blue Decals
	JZ 7304 5B	Seat Cowl Assembly	1	1	--	Red Decals
	JZ 7304 3F	Seat Cowl Assembly-Flame Red	1	1	---	F-26
JZ 7303 3F	Seat Cowl Assembly-Flame Red	--	---	1	F-26	
5	JZ 7304 3B	Fender Front	1	1	1	Black

Painted Parts and Decals



No.	Part No.	Description	DIS 125 DRUM	DIS 125 DISC	DIS 150 DISC	Remarks
6	52 JZ00 23	Head Lamp Cowling	--	--	1	Blue Decals
	52 JZ00 18	Head Lamp Cowling	--	--	1	Red Decals
	52 JZ00 54	Head Lamp Cowling	1	1	1	Blue2 Decals
	52 JZ00 55	Head Lamp Cowling	1	1	1	Red2 Decals
	52 JZ01 00	Head Lamp Cowling	1	1	1	Green Gold
	52 JZ01 18	Head Lamp Cowling	1	1	1	Magenta Red
	52 JZ02 41	Head Lamp Cowling-Flame Red	1	1	1	F-26
7	JZ 2330 00	Tank Decal Set	--	--	1	Blue Decals
	JZ 2330 12	Tank Decal Set	--	--	1	Red Decals
	JZ 2330 24	Tank Decal Set	1	1	1	Blue2 Decals
	JZ 2330 36	Tank Decal Set	1	1	1	Red2 Decals
	JZ 2330 70	Tank Decal Set	1	1	1	Green Gold
	JZ 2330 86	Tank Decal Set	1	1	1	Magenta Red
	36 JZ00 84	Tank Decal Set-Flame Red	1	1	1	F-26
8	36 JZ00 51	Kit Fairing Decal bl Blue1	--	--	1	
	36 JZ00 52	Kit Fairing Decal bl Red1	--	--	1	
	36 JZ00 57	Kit Fairing Decal bl Red	1	1	1	
	36 JZ00 59	Kit Fairing Decal bl Blue	1	1	1	
	36 JZ00 60	Kit Fairing Decal bl Gold	1	1	1	
	36 JZ00 61	Kit Fairing Decal bl Mag Red	1	1	1	
	36 JZ00 86	Kit Fairing Decal bl Fl Red	1	1	1	F-26
9	36 JZ00 41	Kit Cover Side Decal bl Blue1	---	---	1	
	36 JZ00 42	Kit Cover Side Decal bl Red1	---	---	1	
	36 JZ00 47	Kit Cover Side Decal bl Blue2	1	1	1	
	36 JZ00 48	Kit Cover Side Decal bl Red2	1	1	1	
	36 JZ00 49	Kit Cover Side Decal Gold	1	1	1	
	36 JZ00 50	Kit Cover Side Decal Mag Red	1	1	1	
	36 JZ00 85	Kit Cover Side Decal Fl Red	1	1	1	F-26
10	36 JZ00 62	Kit Seat Cowl Decal Blue1 D50	---	---	1	
	36 JZ00 63	Kit Seat Cowl Decal Red1 D50	---	---	1	
	36 JZ00 64	Kit Seat Cowl Decal Blue D50	---	---	1	
	36 JZ00 65	Kit Seat Cowl Decal Red D50	---	---	1	
	36 JZ00 66	Kit Seat Cowl Decal Gold D50	---	---	1	
	36 JZ00 67	Kit Seat Cowl Decal M Red D50	---	---	1	
	36 JZ00 88	Kit Seat Cowl Decal M Red D50	---	---	1	F-26
	36 JZ00 68	Kit Seat Cowl Decal Red D125	1	1	---	
	36 JZ00 69	Kit Seat Cowl Decal Blue D125	1	1	---	
	36 JZ00 70	Kit Seat Cowl Decal Gold D125	1	1	---	
	36 JZ00 69	Kit Seat Cowl Decal M Red D125	1	1	--	
36 JZ00 87	Kit Seat Cowl Decal M Red D125	1	1	--	F-26	



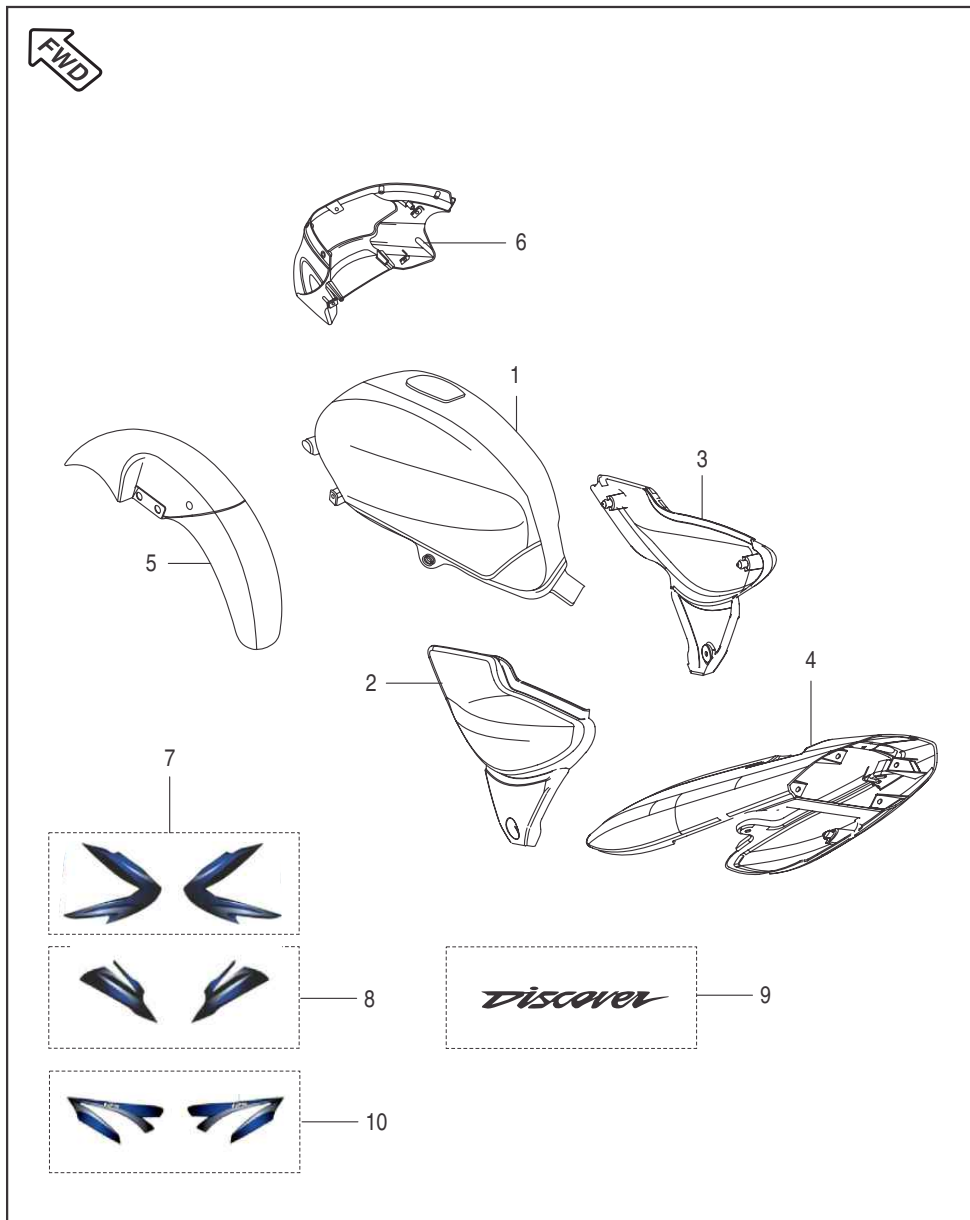
 Front Wheel Direction

Painted Parts and Decals-Discover 125 (Re-introduced)

No.	Part No.	Description	DIS 125 DRUM	DIS 125 DISC	DIS 150 DISC	Remarks
1	52 JZ09 22	F Tank Eb black Wh Blue Dcl	1	1	--	
	52 JZ09 23	F Tank Eb black Wh Red Dcl	1	1	--	
2	52 JZ09 46	Sd.covr Lh Eb bl Wh Blue Dcl	1	1	--	
	52 JZ09 47	Sd.covr Lh Eb bl Wh Red Dcl	1	1	--	
3	52 JZ09 50	Sd.covr Rh Eb blk Wh Blue Dcl	1	1	--	
	52 JZ09 51	Sd.covr Rh Eb blk Wh Red Dcl	1	1	--	
	52 JZ09 52	Sd.covr Rh El blue Wh Blu Dcl	1	1	--	
	52 JZ09 53	Sd.covr Rh Fl red Wh Red Dcl	1	1	--	
4	52 JZ09 38	S cwl Eb.black Wh Blue Dcl	1	1	--	
	52 JZ09 39	S cwl Eb.black Wh Red Dcl	1	1	--	
5	JZ 7304 3B	Front Fender E Black	1	1	--	Common
6	52 JZ09 26	Cowling Eb black Wh Blue Dcl	1	1	--	
	52 JZ09 27	Cowling Eb black Wh Red Dcl	1	1	--	
7	36 JZ01 47	Kit Dcl T Bl Blue	1	1	--	
	36 JZ01 48	Kit Dcl T Bl Red	1	1	--	

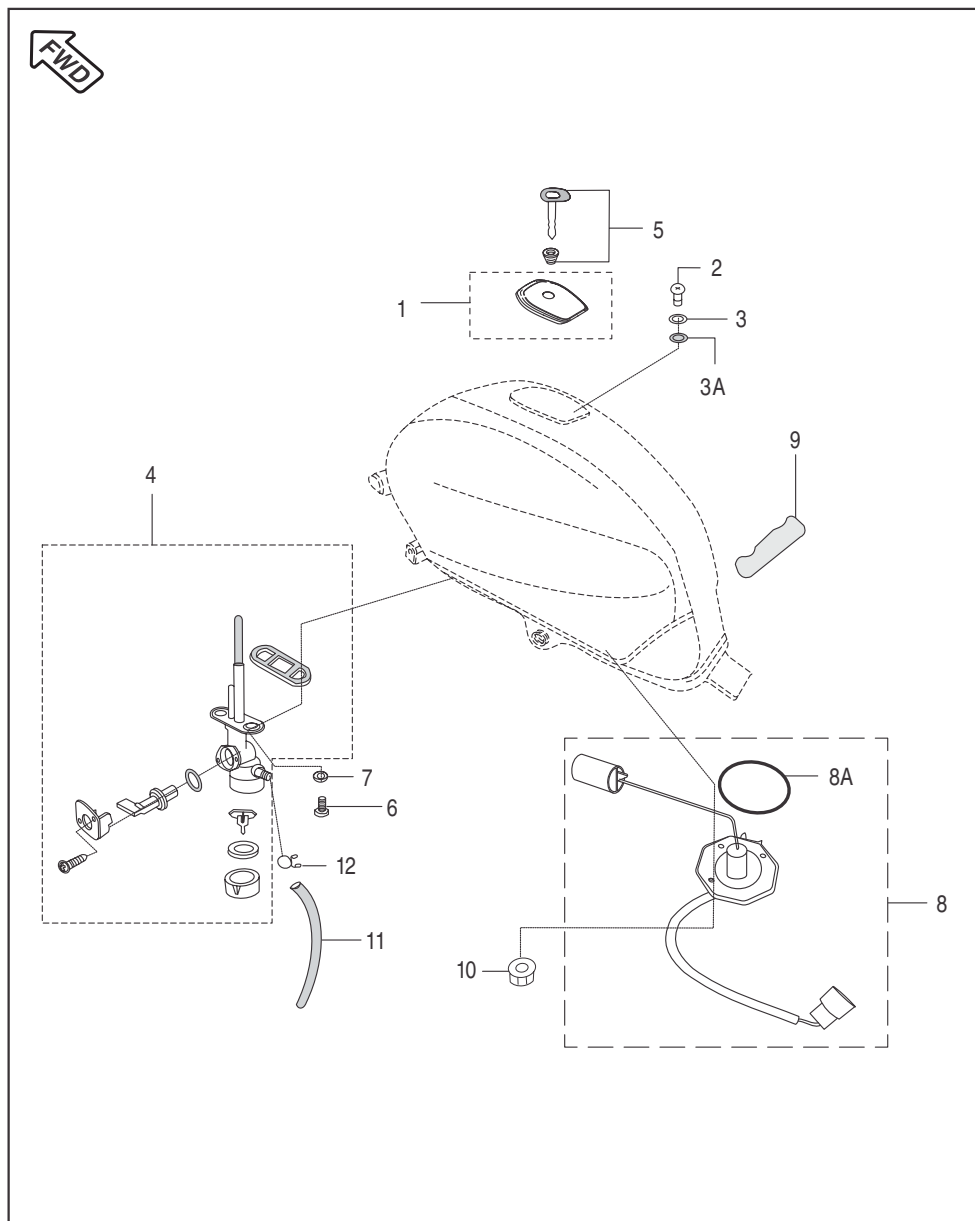
Brand ID: 001MC643 (DISCOVER 150)  
 Brand ID: 001MC645 (DISCOVER 125)

Painted Parts and Decals-Discover 125 (Re-introduced)



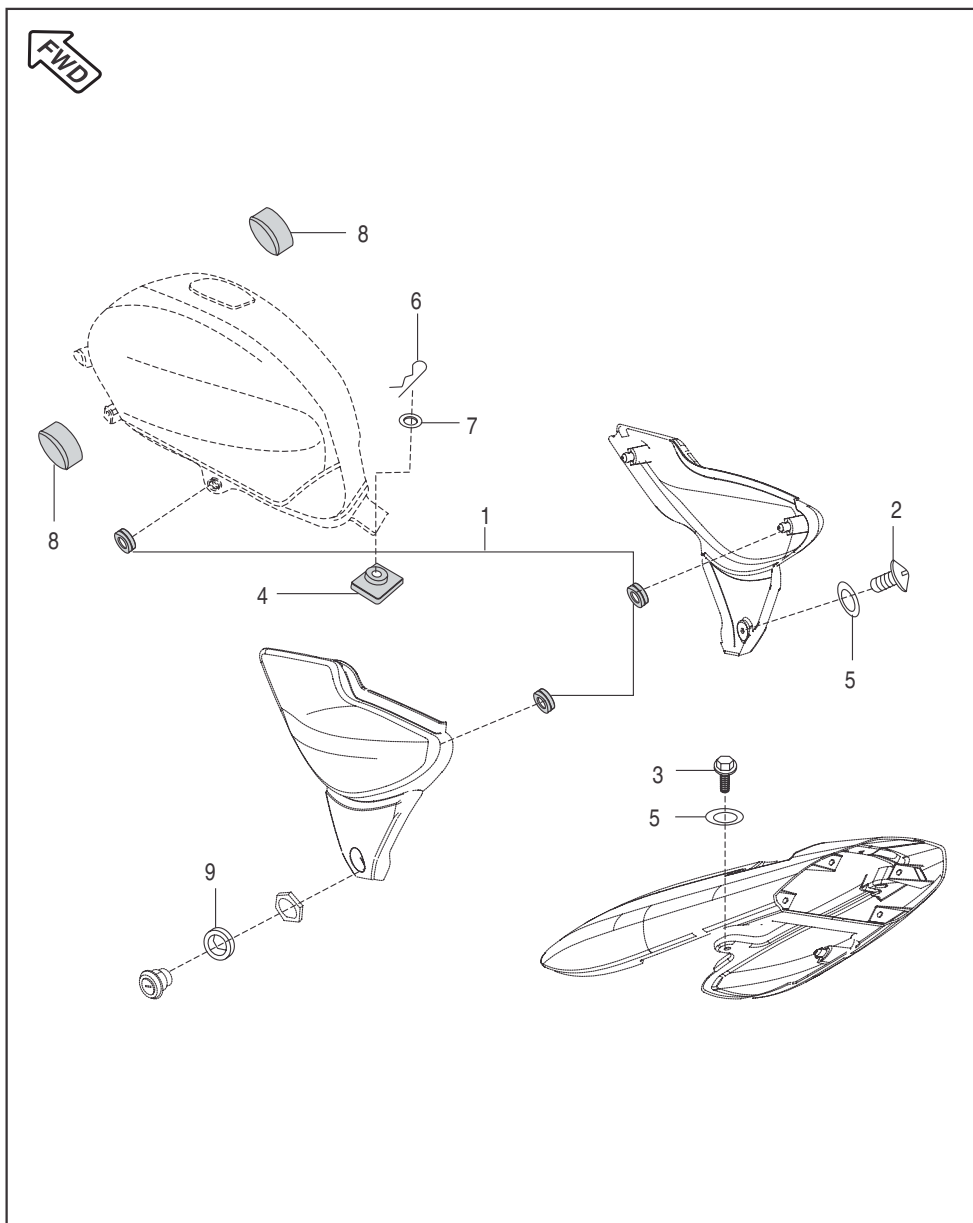
No.	Part No.	Description	DIS 125 DRUM	DIS 125 DISC	DIS 150 DISC	Remarks
8	36 JZ01 52	Kit Dcl Fairing BI Blue	1	1	--	
	36 JZ01 53	Kit Dcl Fairing BI Red	1	1	--	
9	36 JZ01 51	Kit Dcl Tank	1	1	--	
10	36JZ01 56	Kit Dcl S Cowl BI Blue	1	1	--	
	36JZ01 57	Kit Dcl S Cowl BI Red	1	1	--	
11	36 JZ01 60	Kit Dcl S Cvr BI Blue	1	1	--	
	36 JZ01 61	Kit Dcl S Cvr BI Red	1	1	--	

Petrol Tank Cap and Gauge Fuel



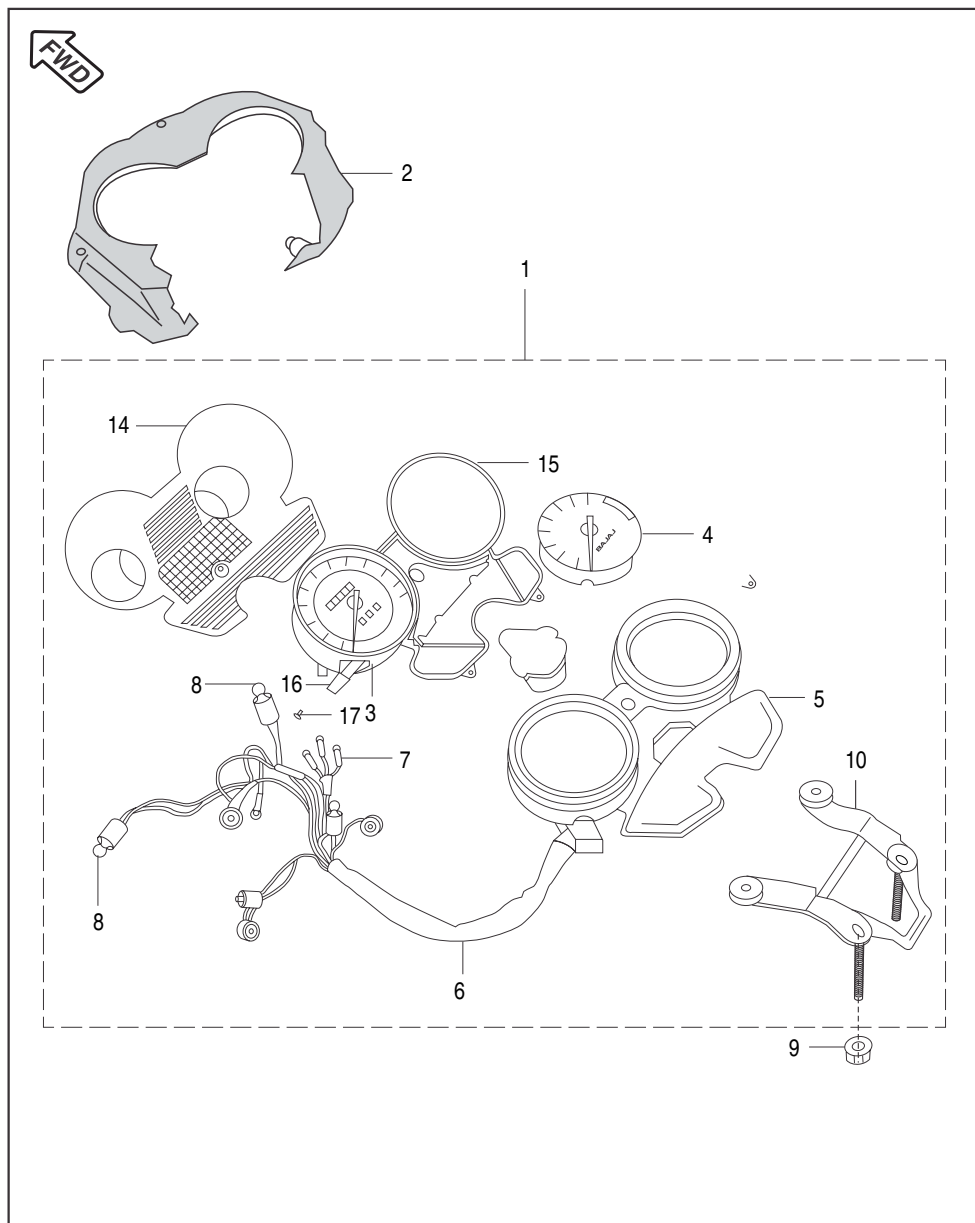
No.	Part No.	Description	DIS 125 DRUM	DIS 125 DISC	DIS 150 DISC	Remarks
1	DS 1410 09	Cap Assly. Tank	1	1	1	
2	39 0761 01	Screw Pan Cross	2	2	2	
3	39 2179 24	Washer	2	2	2	
3A	30 1410 31	'O' Ring	2	2	2	
4	DS 1410 18	Fuel Tap Assly	1	1	1	
	JZ 1718 09	Fuel Tap Assly	1	1	--	Re-introduced
5	JZ 2326 00	3 In 1 Lock Set with Key	1	1	1	
6	DD 1410 22	Bolt Flanged	2	2	2	For Petrol Cock
7	39 0740 11	Washer (Non-Metallic)	2	2	2	For Petrol Cock
8	DS 2010 79	Fuel Gauge - Tank Unit	1	1	1	With 'O' Ring
8A	39 2758 21	'O' Ring	1	1	1	For Tank Unit
	DK 1410 28	'O' Ring	1	1	1	For Tank Unit
9	DS 1410 13	Seat Tape	1	1	1	Pasted on Tank
10	39 2484 15	Flanged Nut	4	4	4	
11	JB 1718 02	Tube Fuel	1	1	1	Cock to Carb.
	JZ 1718 22	Tube Fuel	1	1	--	Re-introduced
12	30 1410 15	Pipe Clip	2	2	2	
	DK 1410 41	Pipe Clip	2	2	--	Re-introduced
13	DZ 1410 75	4 Hole Washer	1	1	1	For Pavana make Fuel Cock
14	36 Jz00 22	Kit fuel cock seal -Advik	1	1	1	For Advik make Fuel Cock

Fittings - Petrol Tank, Side Covers & Cover Seat



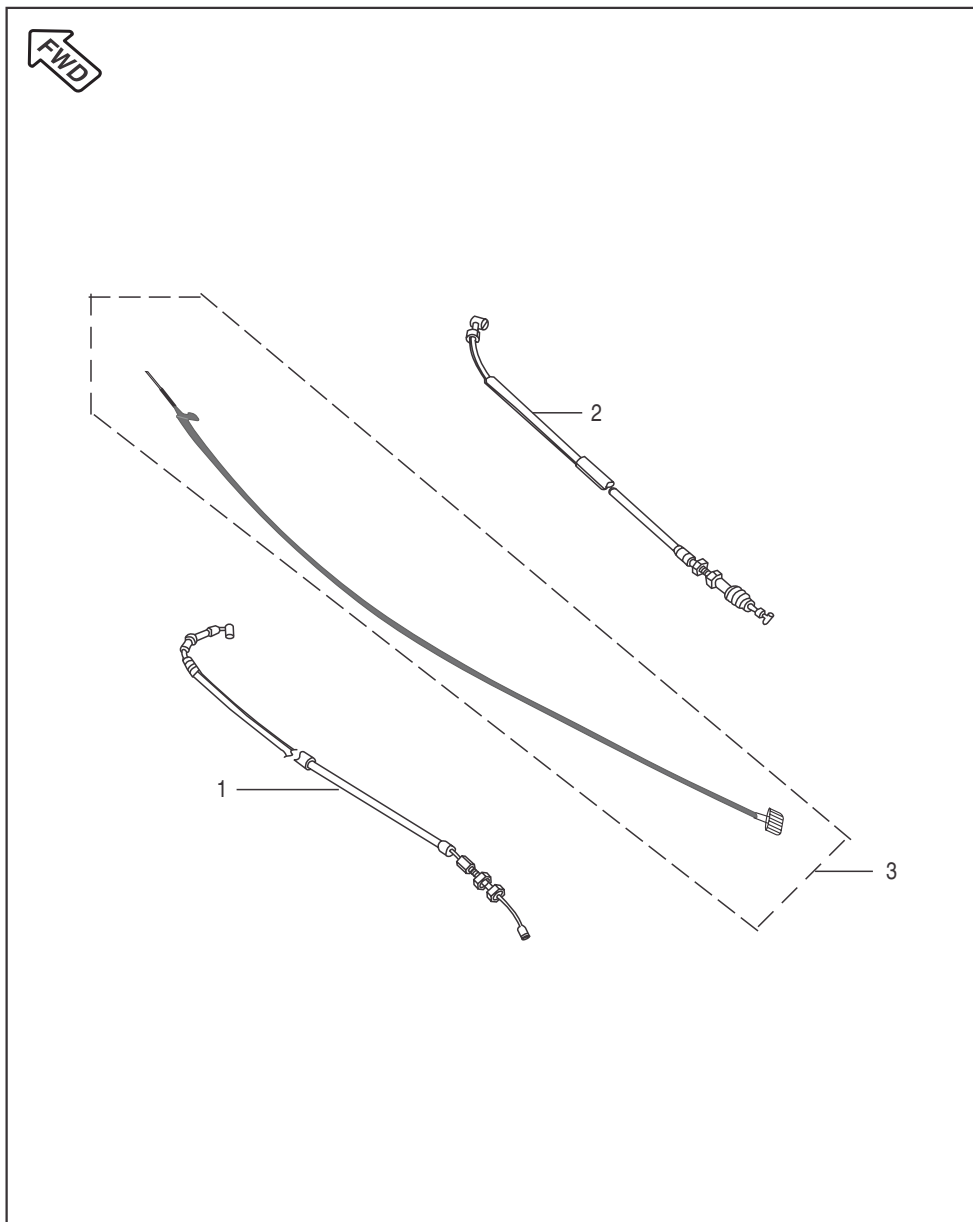
No.	Part No.	Description	DIS 125 DRUM	DIS 125 DISC	DIS 150 DISC	Remarks
1	36 DS14 01	Grommet Kit for Side Cover	1	1	1	Refer Page No. 113
2	DG 1611 21	Screw	1	1	1	
3	39 1943 04	Flanged Bolt	2	2	2	
4	JN 1710 00	Damper Rear	1	1	1	For Tank
5	39 1789 24	Washer Nylon	3	3	3	
6	39 0983 08	Pin Snap	1	1	1	
7	39 1054 11	Plain Washer	1	1	1	
8	DJ 1410 08	Damper Front	2	2	2	For Tank Mtg
9	31 1610 18	Damper	1	1	1	

Meter Assembly



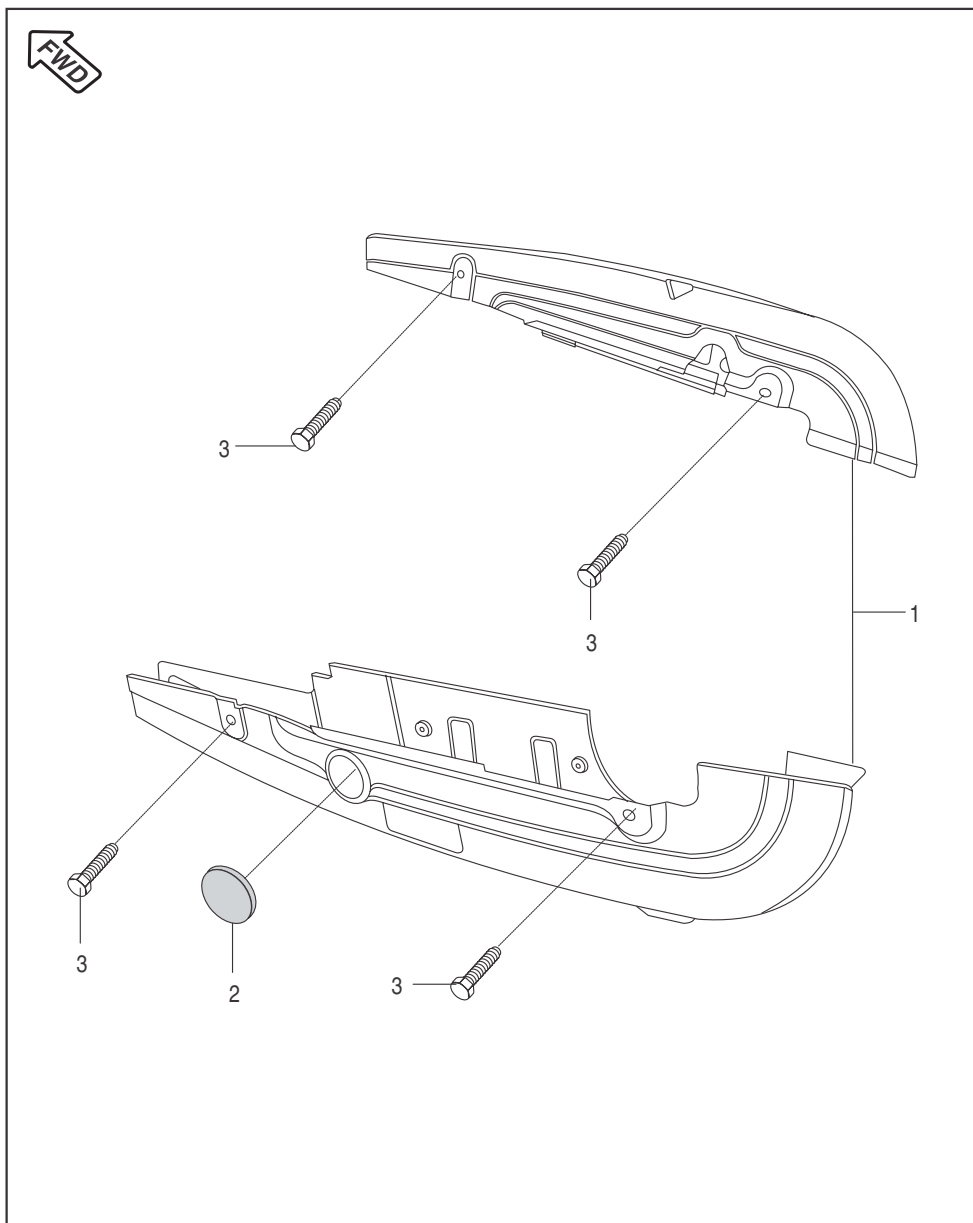
No.	Part No.	Description	DIS 125 DRUM	DIS 125 DISC	DIS 150 DISC	Remarks
1	PA 4024 00	Speedometer Assly.	--	--	1	Up to 10.03.2011
	JZ 4024 03	Speedometer Assly.	1	1	1	
2	JZ 1812 00	Flap Cowling	1	1	1	
3	PA 4024 01	Speedo Machine with Dial Pricol	--	--	1	Up to 10.03.2011
	PA 4024 21	Speedo Machine with Dial Minda	--	--	1	Up to 10.03.2011
	JZ 4024 06	Speedo Machine with Dial Minda	1	1	1	Minda
	36 JZ00 39	Speedo Machine with Dial Pricol	1	1	1	Pricol
4	PA 4024 02	Fuelgauge Machine with Pricol	--	--	1	Up to 10.03.2011
	PA 4024 18	Fuelgauge Machine with Minda	--	--	1	Up to 10.03.2011
	JZ 4024 07	Fuelgauge Machine with Minda	1	1	1	
	36 JZ00 38	Fuelgauge Machine with Pricol	1	1	1	
5	PA 4024 03	Speedo meter Top Cover	1	1	1	PA402419-Minda
6	PA 4024 04	Speedometer wiring harness	1	1	1	PA402420-Minda
7	CL 2010 42	Bulb 12V - 1.2 W	4	4	4	
8	DL 1910 20	Bulb 12V - 3 W	2	2	2	
9	39 0798 15	Flanged Nut	2	2	2	
10	PA 4024 05	Speedometer Bracket	1	1	1	
11	DS 1810 60	Foam side Flap	1	1	1	N.I.
12	JN 1810 14	Foam Speedo Flap	2	2	2	N.I.
13	JN 1814 06	Beading Speedo Flap	4	4	4	N.I.
14	PA 4024 10	Cover Speedo Black	1	1	1	PA402414-Minda
15	PA 4024 11	Assly Speedo Case	1	1	1	PA402415-Minda
16	PA 4024 12	Trip Meter Knob	1	1	1	PA402416-Minda
17	PA 4024 13	Screw Trip Meter Knob	1	1	1	PA402417-Minda

Control Cables



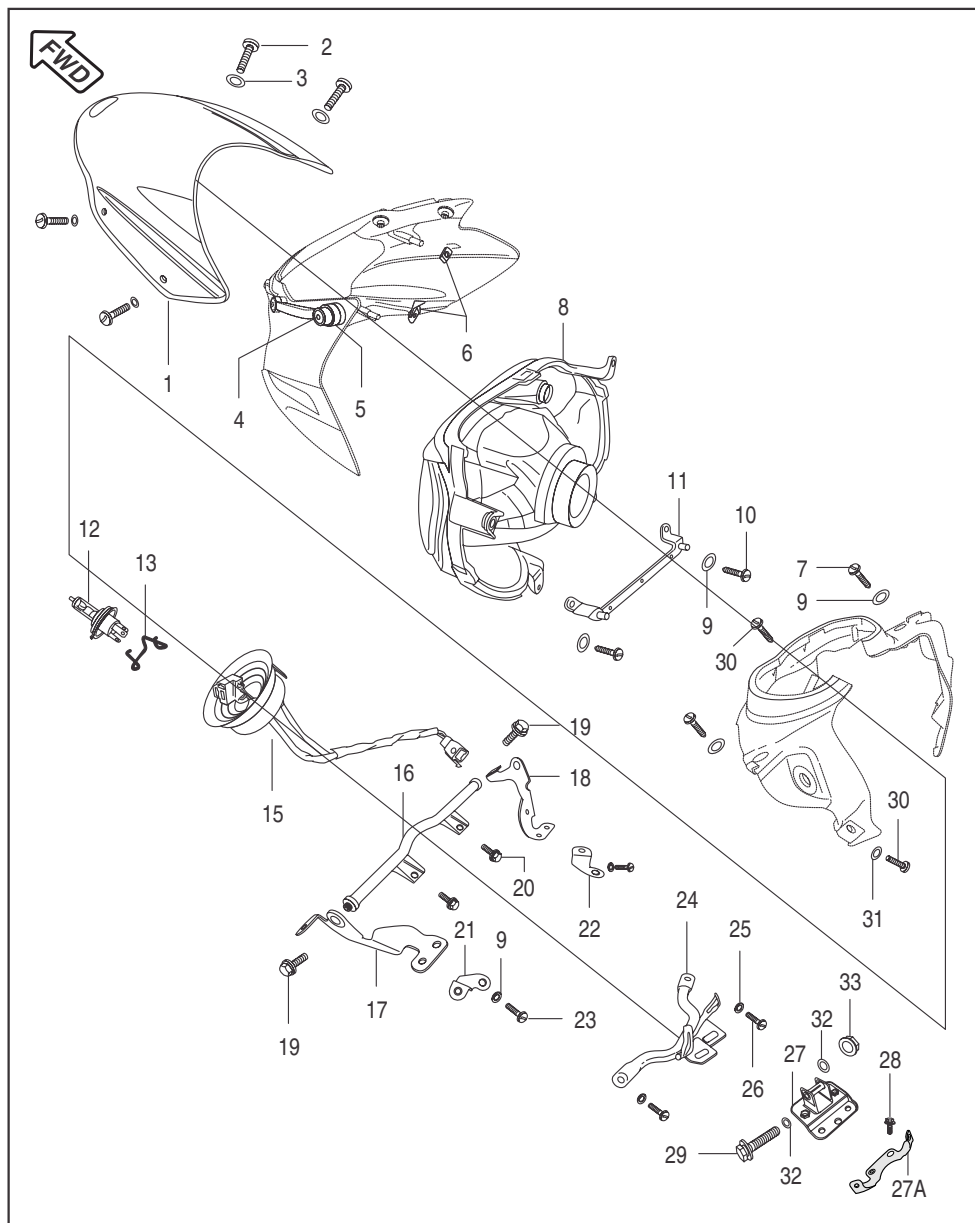
No.	Part No.	Description	DIS 125 DRUM	DIS 125 DISC	DIS 150 DISC	Remarks
1	JZ 1612 02	Cable Accelerator	1	1	1	Refer Ser Cir-F-30
	JZ 1612 21	Cable Accelerator	1	1	1	
2	JZ 1612 03	Cable Clutch	1	1	1	From 01.12.2010
3	JZ 1612 04	Cable Speedometer-Screw Mtg	--	--	1	
	JZ 1612 10	Cable Speedometer-Screw Mtg	--	1	1	
	DS 1910 53	Speedo Cable	1	--	---	
4	DS 1910 54	Brake Cable	1	--	---	
5	30 1910 67	Oil Seal	1	--	---	

Chain Case



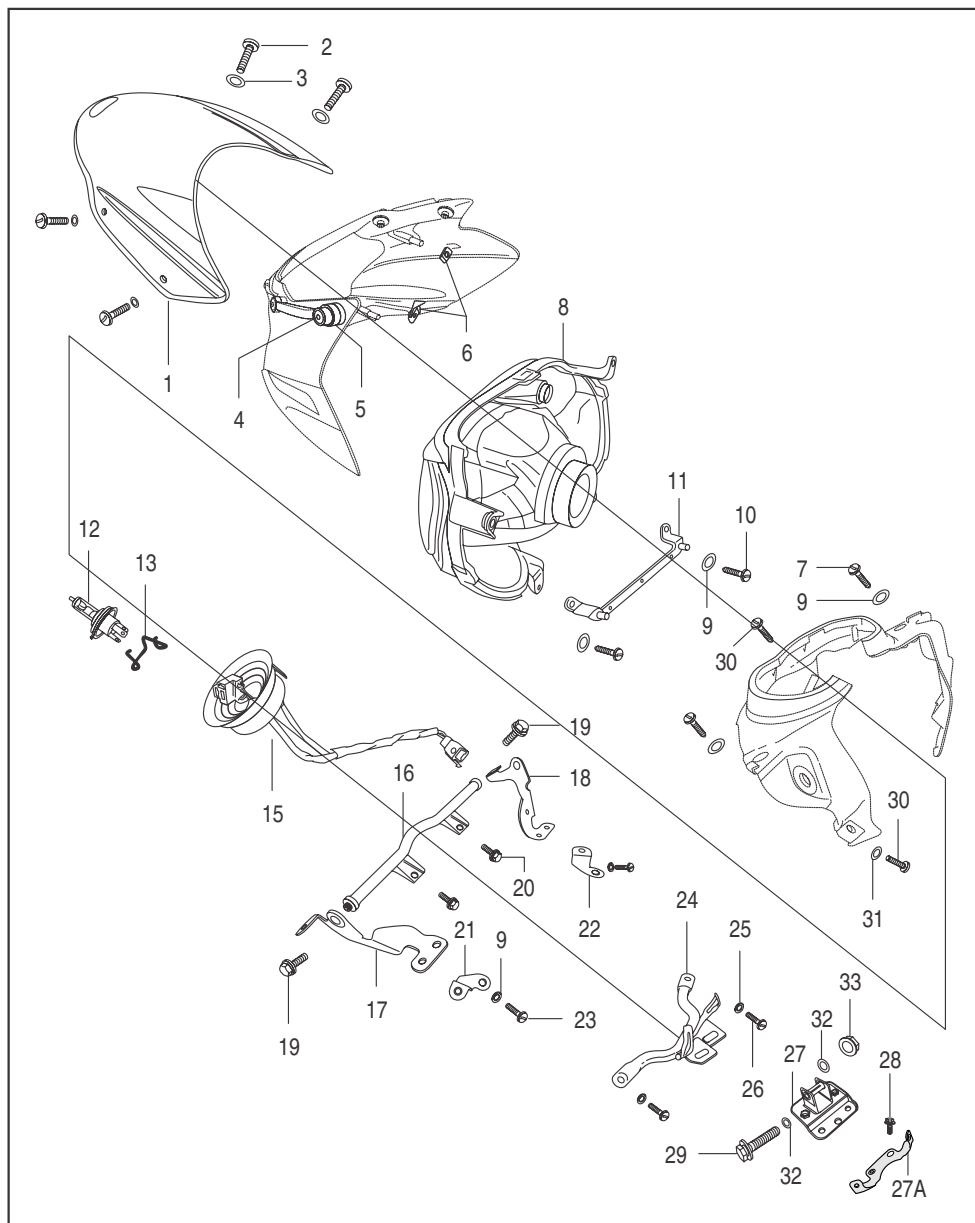
No.	Part No.	Description	DIS 125 DRUM	DIS 125 DISC	DIS 150 DISC	Remarks
1	36 DS40 20	Chain Case Assly Kit	1	1	1	
	52 JZ09 60	Chain Case Assly Kit	1	1	--	Re-introduced
2	15 1610 69	Rubber Cap	1	1	1	
3	JB 1812 39	Bolt	4	4	4	Front & Rear Side Mtg
4	DX 1610 52	Beading Chain Case	1	1	1	N.I.

Head Lamp & Fairing



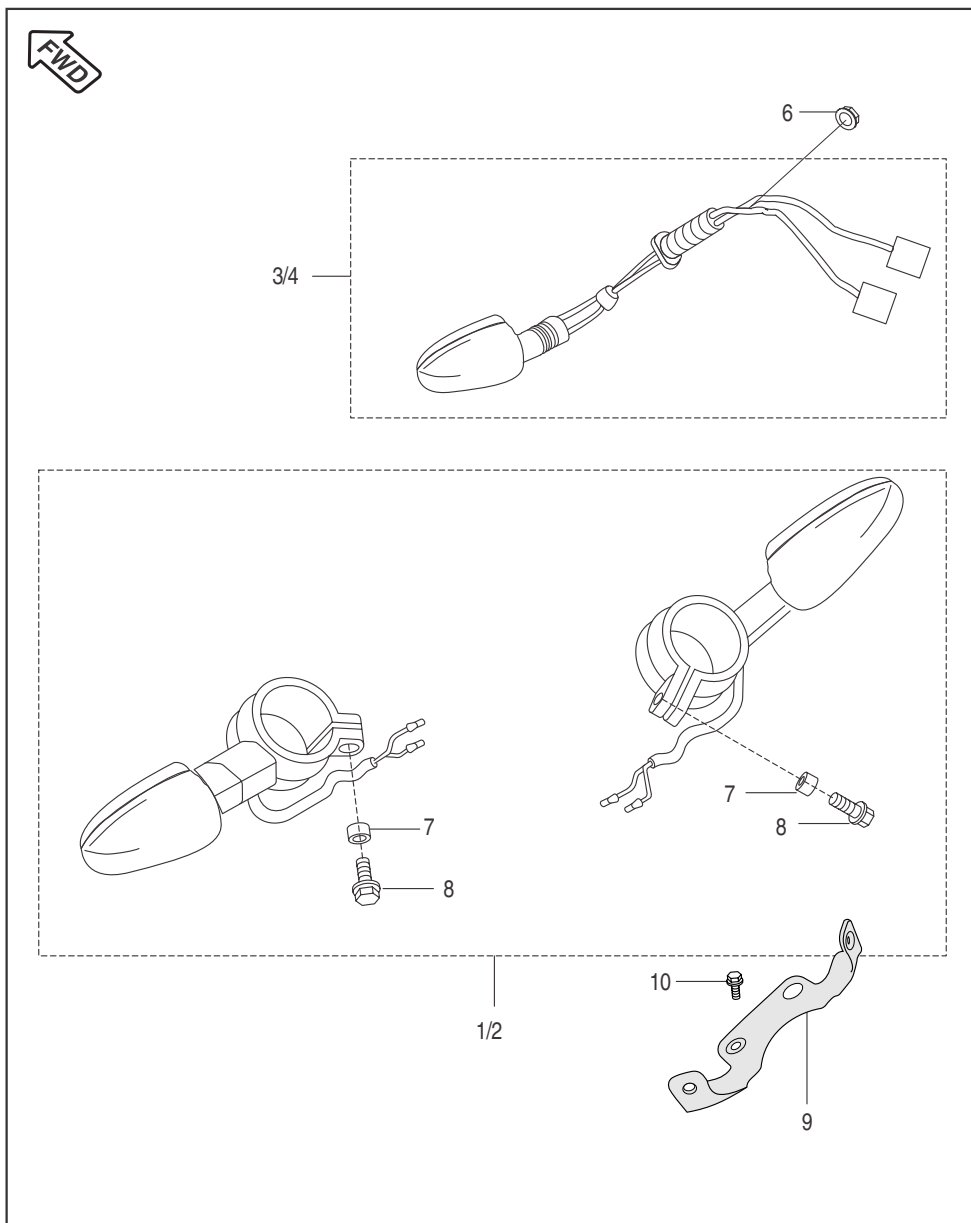
No.	Part No.	Description	DIS 125 DRUM	DIS 125 DISC	DIS 150 DISC	Remarks
1	JN 1810 01	Wind Shield	1	1	1	
2	JZ 1812 06	Screw S.S.	4	4	4	
3	39 2141 24	Non Metallic Washer	4	4	4	
4	JZ 1810 03	Well Nut	4	4	4	
5	JN 1810 10	Bush-1 for Well Nut	2	2	2	
	JN 1810 11	Bush-2 for Well Nut	2	2	2	
6	35 1610 60	Clip Nut	5	5	5	
7	39 2238 01	Screw M.S.	2	2	2	
8	JZ 4010 12	Head Lamp Assly	1	1	1	Without Bulb
9	39 0454 11	Washer Metallic	6	6	6	
10	39 1778 02	Screw Tapping	2	2	2	
11	JN 1810 05	Bracket Head Lamp Mounting	1	1	1	For Bracket H/L Mtg
12	CL 2010 23	Lamp 12V 35/35W-HS1	1	1	1	
13	DS 2010 36	Head Lamp Bulb Clip	1	1	1	
14	JN 1810 19	Foam	1	1	1	Between Fairing & Windshield
15	JZ 4010 15	Head Lamp Harness Branch	1	1	1	
16	JN 1810 03	Bracket Fairing Top	1	1	1	
17	JN 1810 17	Bracket Flap Support LH	1	1	1	
18	JN 1810 18	Bracket Flap Support RH	1	1	1	
19	JN 1810 21	Bolt Flange	2	2	2	Fairing Top
20	39 1943 04	Bolt Flange	2	2	2	

Head Lamp & Fairing



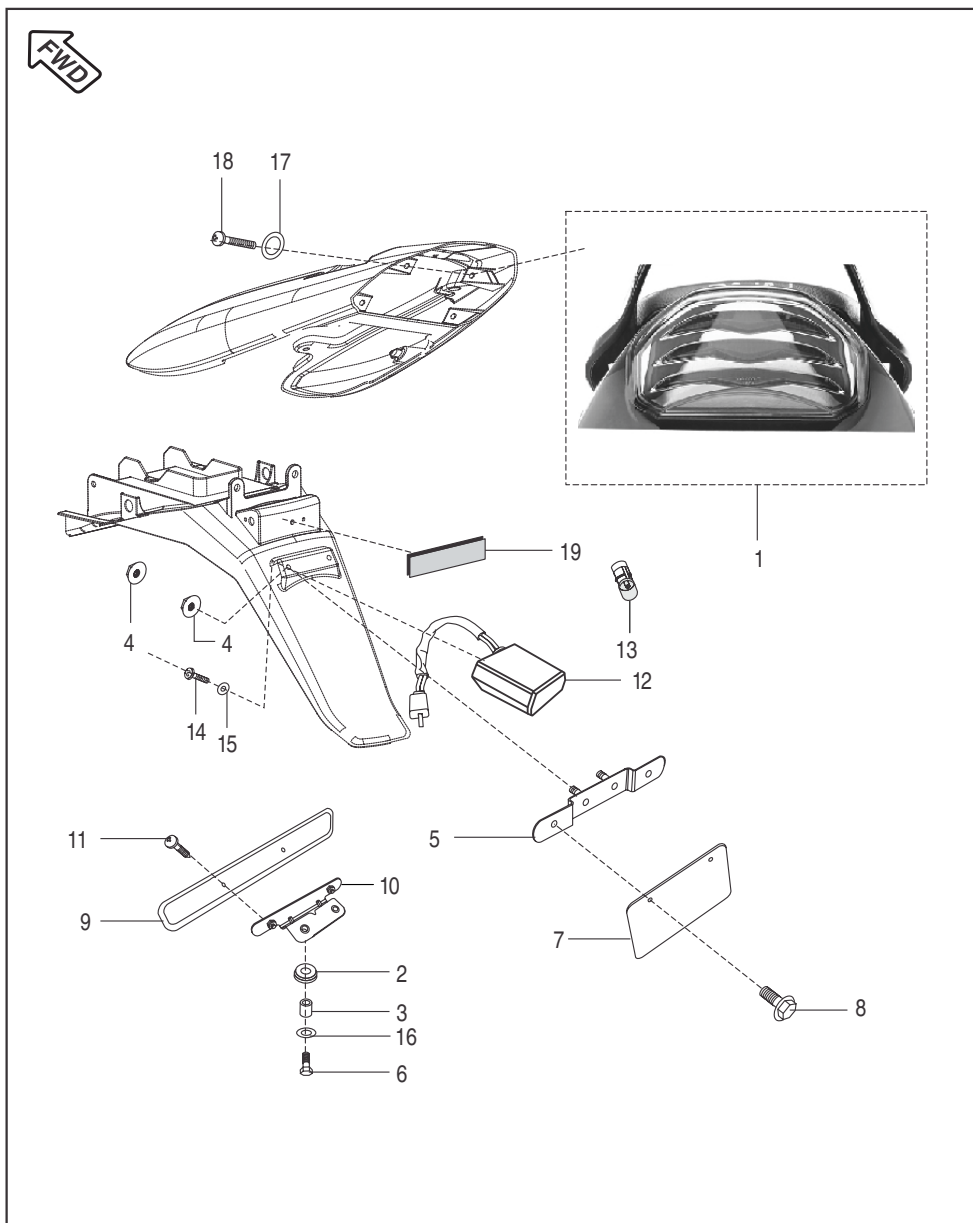
No.	Part No.	Description	DIS 125 DRUM	DIS 125 DISC	DIS 150 DISC	Remarks
21	JN 1810 23	Bracket H/L Mtg Lower LH	1	1	1	
22	JN 1810 24	Bracket H/L Mtg Lower RH	1	1	1	
23	59 0100 05	Screw Mushroom Head	2	2	2	
24	JN 1810 04	Bracket Cowling	1	1	1	
25	39 0219 11	Washer	2	2	2	For Bracket Cowling Mounting
26	39 2060 04	Bolt Hex	2	2	2	For Bracket Cowling Mounting
27	JZ 1812 08	Bracket Cowling Lower	1	1	1	
28	39 1943 04	Bolt Flange	2	2	2	
29	39 1961 04	Bolt Hex Flange	1	1	1	
30	39 1907 01	Mushroom Head Screw	4	4	4	
31	39 2141 24	Washer Non-Metallic	4	4	4	
32	39 1508 11	Washer for H/L Adjustment Bolt	2	2	2	
33	39 0798 15	Hex Flange Nut	1	1	1	
34	JZ 1810 02	Damper Assly (N.I.)	1	1	1	On Fairing
35	39 1508 11	Washer for H/L Adjustment Bolt	2	2	2	N.I.
36	JN 1810 19	Foam (N.I.)	1	1	1	Between Fairing & Wind Shield
37	JZ 1810 04	Foam on Head Lamp	5	5	5	N.I.

Indicator Light Assembly



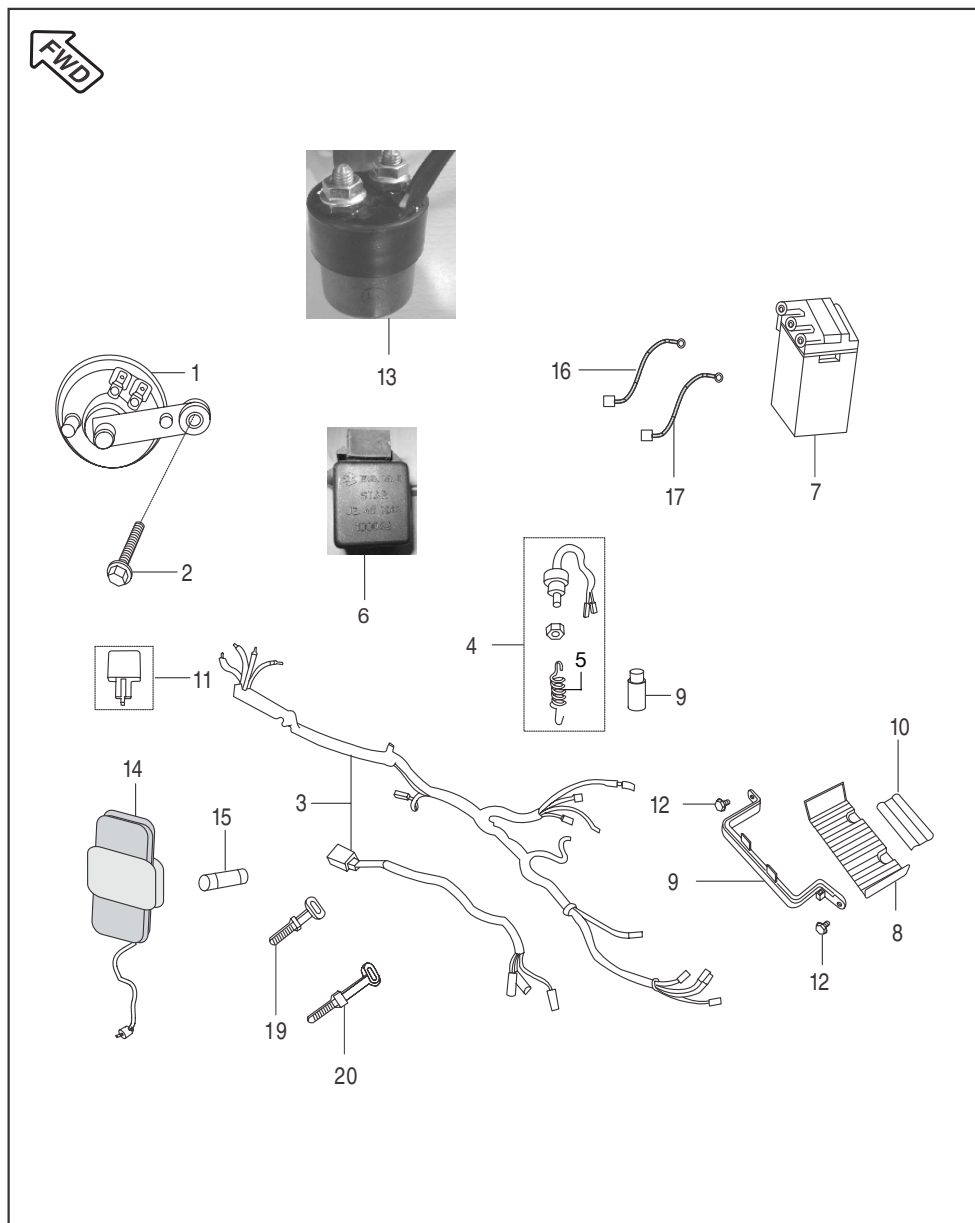
No.	Part No.	Description	DIS 125 DRUM	DIS 125 DISC	DIS 150 DISC	Remarks
1	JZ 4010 00	Indicator Assly Front LH	1	1	1	
2	JZ 4010 01	Indicator Assly Front RH	1	1	1	
3	DJ 2012 06	Indicator Assly Rear LH	1	1	1	
4	DJ 2012 07	Indicator Assly Rear RH	1	1	1	
5	GH 2010 12	Lamp 12 V - 10W	4	4	4	N.I.
6	39 1225 15	Hex Nut with Flange	2	2	2	N.I.
7	31 2010 01	Collar	2	2	2	
8	LA D000 26	Bolt Flange	2	2	2	
9	JZ 1510 24	Blinker Mounting Bracket	1	1	1	Mounted on Bracket Cowling Lower
10	39 1943 04	Flange Bolts	2	2	2	For Blinker Mounting Bracket

Tail Lamp Assly / Front Number Plate

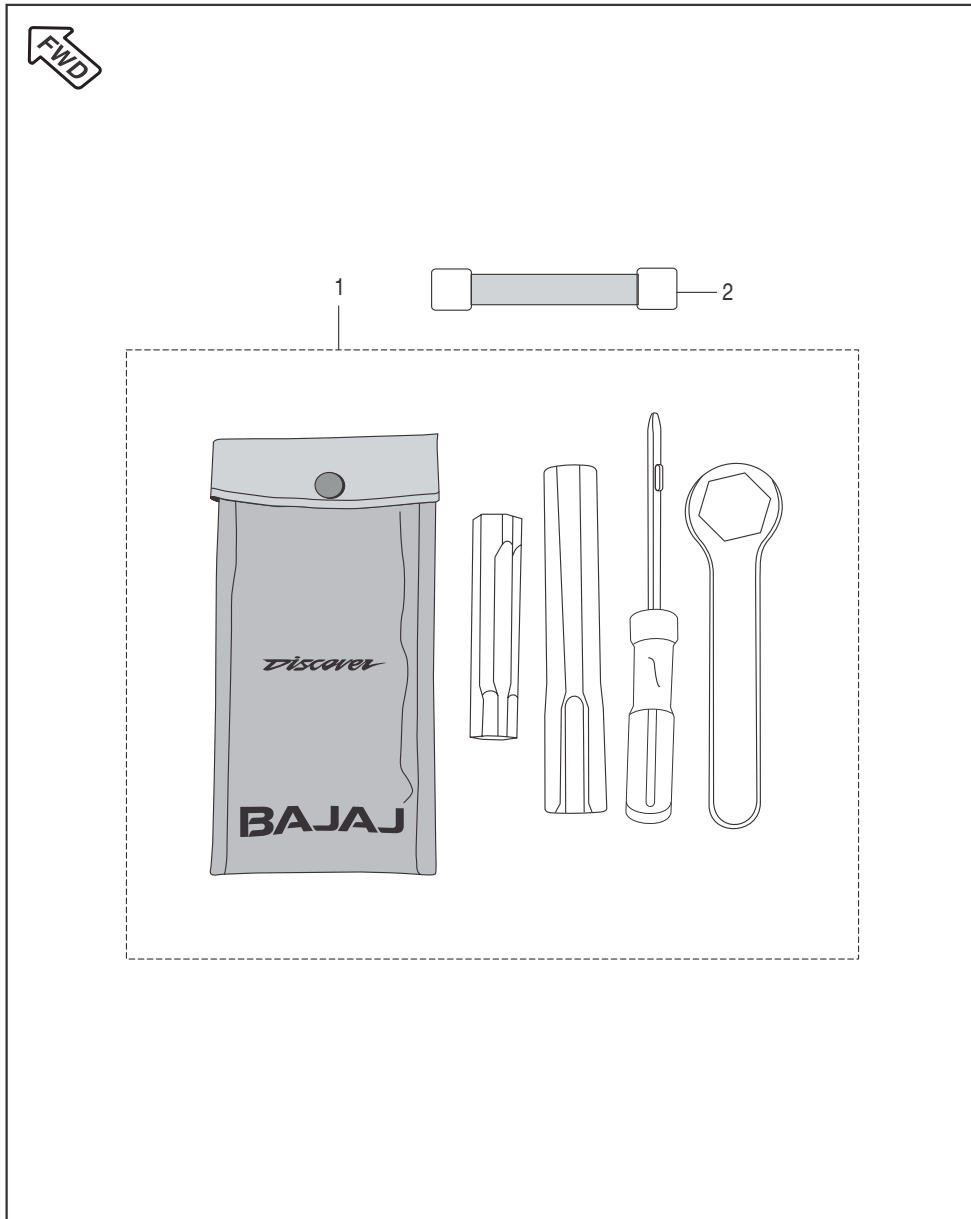


No.	Part No.	Description	DIS 125 DRUM	DIS 125 DISC	DIS 150 DISC	Remarks
1	JZ 4010 06	LED Tail Lamp	1	1	1	
2	DD 2010 11	Damper	2	2	2	For Front No. Plate
3	31 2010 01	Collar	2	2	2	For Front No. Plate
4	39 2124 15	Flange Nut	1	1	1	
5	DJ 1610 72	Bracket Rear No. Plate	1	1	1	For Front No. Plate
6	39 1553 04	Bolt Flange	2	2	2	For Front No. Plate
7	DP 1611 45	Number Plate Rear	1	1	1	
8	39 2476 04	Hex Flanged Bolt	2	2	2	For Front No. Plate
9	DP 1611 44	Number Plate Front	1	1	1	
10	JN 2328 01	Front No. Plate Mtg Bracket	1	1	1	
11	39 1783 01	Truss Screw Front No. Plate	2	2	2	
12	JW 4010 11	No. Plate Lamp with 2 Point Coupler	1	1	1	
13	DJ 2010 72	Bulb 12V/ 5W	1	1	1	Rear No. Plate Lamp
14	39 0705 01	Screw	2	2	2	Rear No. Plate Lamp
15	39 0711 11	Plain Washer	2	2	2	
16	39 1211 11	Washer	2	2	2	
17	39 0740 11	Washer (Non Metallic)	4	4	4	For LED Tail Lamp
18	39 0746 01	Screw For LED Tail Lamp	4	4	4	
19	JZ 1810 04	Foam Strip	1	1	1	

Electrical Equipments



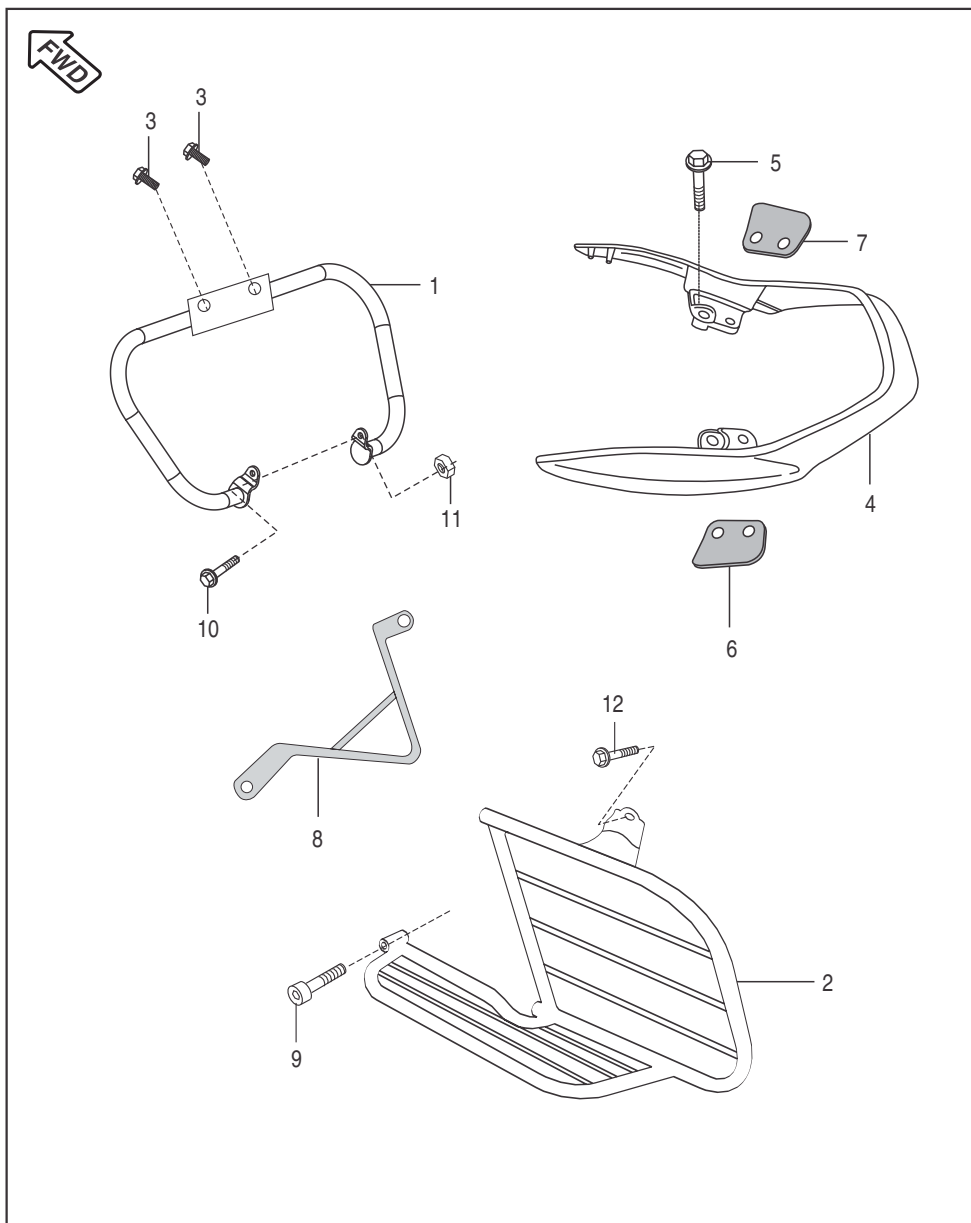
No.	Part No.	Description	DIS 125 DRUM	DIS 125 DISC	DIS 150 DISC	Remarks
1	JZ 4016 00	Horn LH with Stay	1	1	1	
2	39 1945 04	Flange Bolt	1	1	1	
3	JZ 4022 00	Wiring Harness	--	--	1	
	JZ 4022 09	Wiring Harness	1	1	--	
	PA 4022 20	Wiring Harness	1	1	--	Re-introduced
4	DS 2010 29	Rear Brake Switch	1	1	1	
5	DS 1910 07	Spring Brake Switch	1	1	1	
6	JB 4010 13	Head Lamp Control Unit or	1	1	1	
	JZ 4010 13	Head Lamp Control Unit	1	1	1	
7	JF 4018 01	Battery 7 AH	--	--	1	N.S.
	DS 2010 81	Battery 5 AH	1	1	--	N.S.
8	JZ 4018 00	Base Battery	1	1	1	
	DX 1610 32	Base Battery	1	1	--	Re-introduced
9	JZ 4018 01	Band Battery	--	--	1	
	DX 1610 44	Band Battery	1	1	--	
10	DX 1610 45	Battery Arrester	1	1	1	
11	DS 2010 25	Assly DC Flasher	1	1	1	
12	39 2208 04	Bolt Flange	2	2	2	
13	DK 2010 78	Starter Relay	1	1	1	With Grommet
	JK 3516 00	Starter Relay	1	1	--	Re-introduced
14	30 2011 04	Fuse Box Assly	2	2	2	Light & Main Fuse
15	GF 2010 53	Fuse	2	2	2	Light & Main Fuse
16	DS 2010 22	Cable Assly	1	1	1	(Bat to St Relay)
17	PA 4022 03	Cable St Relay to Motor	1	1	1	
	JK 4022 05	Cable St Relay to Motor	1	1	--	Re-introduced
18	JZ 4022 02	Cable Assly. (Battery to Earth)	--	--	1	N.I.
	JV 4022 05	Cable Assly. (Battery to Earth)	1	1	--	N.I.
19	30 1910 48	Band (Harness)	5	5	5	Length 123 mm
20	30 2010 64	Band (Harness)	3	3	3	Length 149 mm
21	JD 4018 03	Adapter Vent Tube	1	1	1	N.I.
22	39 1942 04	Bolt Flanged	1	1	1	N.I.



Tool Kit

No.	Part No.	Description	DIS 125 DRUM	DIS 125 DISC	DIS 150 DISC	Remarks
1	JN 2310 00	Tool Kit	1	1	1	For Reference Only
2	DP 2210 24	Band Tool Kit	1	1	1	Not Serviced Separately
	DP 2210 11	Band Tool Kit	1	1	--	Re-introduced

Accessories / Grab Handle



No.	Part No.	Description	DIS 125 DRUM	DIS 125 DISC	DIS 150 DISC	Remarks
1	JZ 2312 01	Leg Guard	1	1	1	
2	JZ 2312 02	Saree Guard	1	1	1	
3	39 1556 04	Flange Bolt	2	2	2	
4	DS 1611 88	Grab Handle with Foam	1	1	1	
5	39 1681 04	Flange Bolt	4	4	4	For Mtg Grab Handle
6	DJ 1610 79	Foam LH	1	1	1	
7	DJ 1610 80	Foam RH	1	1	1	
8	JZ 2312 04	Small Saree Guard	1	1	1	
9	39 2495 04	Socket Head Bolt	1	1	1	
10	JA 1134 04	Flange Bolt	1	1	1	
11	39 197015	Hex Nut	1	1	1	
12	39 2553 04	Bolt Flange	1	1	1	

Kit List

Sr No	Kit Part No.	Kit Description	Consisting of Following Parts		
			Part No.	Description	Qty/Kit
1	36JE0002	Piston Ring Set (For D125)	JE521202	Ring Piston Top	1
			JE521203	Ring Piston Second	1
			JE521204	Ring Piston Oil	1
2	36JZ0005	Piston Ring Set	JZ521204	Ring Piston Top	1
			JZ521205	Ring Piston Second	1
			JZ521206	Ring Piston Oil	1
3	36JZ0023	Set Primary Drive & Driven (For D125)	PF551401	Housing Complete Clutch	1
			JZ531006	Gear Primary Drive	1
4	36JZ0014	Set Primary Drive & Driven	JZ551410	Housing Complete Clutch	1
			JZ531006	Gear Primary Drive	1
5	36JZ0031	Jet Kit For (For D125)	JZ581234	Needle Jet	1
			JZ581230	Holder Needle Jet	1
			JZ581231	Jet Main	1
			JZ581233	Jet Pilot	1
6	36JZ0017	Jet Kit	Jz581213	Needle Jet	1
			JZ581219	Holder Needle Jet	1
			JZ581218	Jet Main	1
			JZ 581214	Jet Pilot	1
7	36JZ0026	Chain Sprocket Kit (D125)	DJ151086	Sprocket Hub (43T)	1
			JZ551004	Sprocket Drive (14T)	1
			JZ141003	Chain 120 Link - 428 Series	1
8	36JZ0007	Chain Sprocket Kit	DJ151086	Sprocket Hub (43T)	1
			JZ551004	Sprocket Drive (14T)	1
			DS151082	Chain 120 Link - 420 Series	1

Kit List

Sr No	Kit Part No.	Kit Description	Consisting of Following Parts		
			Part No.	Description	Qty/Kit
9	36JZ0001	Valve Kit	JZ511200	Valve Intake	1
			JZ511201	Valve Exhaust	1
10	36JZ0004	Valve Repair Kit	39201719	Seat Valve Stem	2
			DG101029	Cotter Valve	2
			JA511203	Retainer Valve Spring	2
			28101129	Seat Valve Spring	2
			JZ511202	Spring Washer	2
11	36JE0003	Kit Guide Cam Chain	JW541012	Guide Cam Chain (Slack Side)	1
			JA521002	Guide Cam Chain (Tight Side)	1
12	DH121169	Pilot Screw Kit	DH121131	Screw Adjuster	1
			DH121130	'O' - Ring	1
			DH121186	Spring Compr Coil	1
			DH121187	Plain Washer	1
13	36JZ0019	Throttle Valve Kit	DH121188	'O' - Ring	1
			JZ581221	Valve Piston	1
			DD121054	E-Ring	1
			JZ581222	Holder	1
			DD121055	Spring Compression	1
			JZ581215	Packing	1
			JZ581222	Jet Needle	1
			24121370	Ring	1
14	36JZ0032	Throttle Valve Kit D125	JZ581232	Valve Piston	1
			DD121054	E-Ring	1
			JZ581211	Holder	1
			DD121055	Spring Compression	1
			JZ581223	Packing	1
			JZ581222	Jet Needle	1
			24121370	Ring	1

Kit List

Sr No	Kit Part No.	Kit Description	Consisting of Following Parts		
			Part No.	Description	Qty/Kit
15	36JZ0016	Idling Screw Kit	JZ581217	Screw Stop	1
			DH121130	'O' - Ring	1
			CB121044	Spring Compression	
16	36DS2101	Seat Damper Kit	DS211004	Damper Seat - I	7
			DS211005	Damper Seat - II	2
17	36311401	Bearing Cone Kit	DH181025	Bearing cone	1
			DH181026	Bearing race	1
			DH181024	Upper bearing race	1
18	36DS1801	Holder Handle Set	DS181019	Holder Handle	2
			DS181006	Holder Handle	2
19	36DS1401	Grommet Kit - Side Cover	DS141012	Grommet Side Cover Front	2
			DS161082	Grommet Side Cover Rear	2
20	36DS4020	Case Chain Kit	DS161269	Case Chain Upper Assly.	1
			DS161270	Case Chain Lower Assly.	1
21	36JZ0021	Carb. Gasket- 'O' Ring Kit	JA581232	Gasket Float Chamber	1
			DH121130	'O' - Ring Idling Screw	2
			JA581240	'O' - Ring Auto Choke	1
			DH121118	'O' Ring Drain screw	1
			JA581238	'O' Ring TPS	1
22	36DU1007	Boss Kick Set	30101233	Boss Kit	1
			30101234	Spring	1
			30101236	Ball Steel	1
			30101235	Pin	1
			39085517	E - Type Clip	1
23	36JZ0008	Starter Clutch Repair Kit	JA621411	Bush Spring Starter Clutch	5
			DH101163	Roller Clutch	5
			DH101164	Spring	5
			DJ101109	Bush For Spring Starter Clutch	5

Kit List

Sr No	Kit Part No.	Kit Description	Consisting of Following Parts		
			Part No.	Description	Qty/Kit
24	36JZ0020	Cable Adjuster Kit	JA581315	Nut	1
			JA581261	Cable Adjuster	1
			JZ531215	Mixing Cap Assembly	1
25	36JE0005	Friction Plate Kit	DP101110	Plate Friction	4
			DP101109	Plate Friction	1
26	36JZ0037	Kit Friction Plate Disco 125	Jz551416	Plate Friction	5
27	36JZ0164	Kit Chain Case-Jz131071+72	JZ181371	Assembly Chain Case Lower	1
			JZ181372	Assembly Chain Case Upper	1
28	36JZ0165	Kit Cyl Head-D125 Sil	JZ511031	Cylinder Head Machined D125 2V	1
			JA511028	Stud M8X1.25X45L	2
			31101064	Plug	1
29	36JZ0166	Kit Cyl Bl-Piston-125 Sil	JE521008	Cylinder Block With Damper	1
			JZ521207	Assembly Piston Disco-125	1
30	36JZ0167	Kit Assly C'Case Lh	39256220	Bearing - Needle Roller	1
			JZ541029	Crankcase Lh D125 2V	1
			JA541036	Plug (Oil Control)	1
			JZ541005	Nozzle Oil Jet	1
			JA541005	Bush Bendix	1
31	36JZ0168	Kit Assly C'Case Rh	JA541015	Stud Inhibitor Mounting	1
			JZ541031	Crankcase Rh D125 2V	1
			JA541011	Needle Roller Bearing Hk1212	1
			31101064	Plug	1
			PF541018	Bushing Drum Bm150 4 Spd	1
32	36JZ0169	Kit Assly Cl Cvr-125 Sil	JE541203	Clutch Cover	1
			JE541211	Decal Clutch Cover	1
			31101064	Plug	2



Parts Index

Part Number	Figure No.	Page No.	Part Number	Figure No.	Page No.
14 1510 21	10	68	30 1510 96	18	76
14 1510 33	15	28	30 1511 18	20	70
14 1510 33	23	24	30 1810 25	4	82
15 1610 69	2	102	30 1810 26	3	82
15 1910 26	11	76	30 1910 35	10	76
22 1502 41	4	30	30 1910 36	12	76
24 1210 69	16	32	30 1910 38	7	76
24 1213 65	7	32	30 1910 48	19	112
30 1010 96	6	28	30 1910 48	20	80
30 1011 42	4	24	30 1910 67	5	100
30 1011 95	11	26	30 2010 64	20	112
30 1410 15	12	94	30 2011 04	14	112
30 1410 31	9	54	31 1011 73	3	12
30 1410 31	3A	94	31 1610 18	9	96
30 1510 04	11	68	31 1811 02	22	84
30 1510 05	17	72	31 2010 01	3	110
30 1510 05	21	74	31 2010 01	7	108
30 1510 11	19	72	31 2010 81	5	22
30 1510 12	19	72	35 1610 60	6	104
30 1510 33	1	62	36 3140 01	4	48
30 1510 35	23	70	36 3140 02	5	48
30 1510 38	13	68	36 3140 05	4	48
30 1510 38	20	74	36 DH40 14	23	76
30 1510 41	6	62	36 DJ40 31	1	64
30 1510 42	24	70	36 DJ40 32	9	66
30 1510 68	8	68	36 DJ40 33	10	66
30 1510 69	9	68	36 DK00 09	11	36
30 1510 69	16	72	36 DS14 01	1	96
30 1510 75	13	72	36 DS15 02	22	70

Parts Index

Part Number	Figure No.	Page No.	Part Number	Figure No.	Page No.
36 DS18 01	11	78	36 JZ00 23	7	12
36 DS21 01	2	44	36 JZ00 23	16	28
36 DS40 20	1	102	36 JZ00 24	5	10
36 DU10 07	3	30	36 JZ00 25	1	24
36 DU15 04	18	62	36 JZ00 26	2	72
36 Dz00 20	2	82	36 JZ00 27	1	4
36 JE00 02	3	10	36 JZ00 28	1	22
36 JE00 03	6	8	36 JZ00 29	2	20
36 JE00 05	4	28	36 JZ00 30	1	36
36 JZ00 01	4	6	36 JZ00 31	4	32
36 JZ00 02	5	10	36 Jz00 32	14	32
36 JZ00 04	5	6	36 JZ00 37	4	28
36 JZ00 05	3	10	36 JZ00 38	4	98
36 JZ00 07	2	72	36 JZ00 39	3	98
36 JZ00 08	6	40	36 JZ00 40	19	84
36 JZ00 09	2	20	36 JZ00 41	9	88
36 JZ00 10	1	4	36 JZ00 42	9	88
36 JZ00 11	1	22	36 JZ00 47	9	88
36 JZ00 12	1	36	36 JZ00 48	9	88
36 JZ00 13	1	24	36 JZ00 49	9	88
36 JZ00 14	7	12	36 JZ00 50	9	88
36 JZ00 14	16	28	36 JZ00 51	8	88
36 JZ00 15	1	26	36 JZ00 52	8	88
36 JZ00 16	5	32	36 JZ00 57	8	88
36 JZ00 17	4	32	36 JZ00 59	8	88
36 JZ00 19	14	32	36 JZ00 60	8	88
36 JZ00 20	2	32	36 JZ00 61	8	88
36 JZ00 21	15	32	36 JZ00 62	10	88
36 Jz00 22	14	94	36 JZ00 63	10	88

Parts Index

Part Number	Figure No.	Page No.	Part Number	Figure No.	Page No.
36 JZ00 64	10	88	52 JZ09 60	1	102
36 JZ00 65	10	88	36 JZ01 65	1	4
36 JZ00 66	10	88	36 JZ01 66	5	10
36 JZ00 67	10	88	36 JZ01 67	1	22
36 JZ00 68	10	88	36 JZ01 68	2	20
36 JZ00 69	10	88	36 JZ01 69	1	24
36 JZ00 69	10	88	36JZ01 58	10	92
36 JZ00 70	10	88	39 0198 11	8	76
36 JZ00 84	7	88	39 0211 11	7	56
36 JZ00 85	9	88	39 0219 11	25	106
36 JZ00 86	8	88	39 0240 11	13	28
36 JZ00 87	10	88	39 0242 11	15	56
36 JZ00 88	10	88	39 0258 11	4	50
36 JZ01 47	7	90	39 0263 12	19	70
36 JZ01 48	7	90	39 0292 15	16	50
36 JZ01 49	7	90	39 0292 15	22	76
36 JZ01 50	7	90	39 0326 15	11	56
36 JZ01 51	9	92	39 0422 15	9	58
36 JZ01 52	8	92	39 0422 15	18	78
36 JZ01 53	8	92	39 0454 11	9	104
36 JZ01 54	8	92	39 0454 11	11	50
36 JZ01 55	8	92	39 0553 02	10	50
36 JZ01 56	10	92	39 0594 17	12	8
36 JZ01 57	10	92	39 0694 15	16	76
36 JZ01 59	10	92	39 0705 01	14	110
36 JZ01 60	11	92	39 0711 11	15	110
36 JZ01 61	11	92	39 0722 11	19A	74
36 JZ01 62	11	92	39 0738 17	6	30
36 JZ01 63	11	92	39 0740 11	7	94

Parts Index

Part Number	Figure No.	Page No.	Part Number	Figure No.	Page No.
39 0740 11	17	110	39 1000 06	2	10
39 0746 01	4	42	39 1000 06	6	20
39 0746 01	18	110	39 1000 06	11	22
39 0747 01	9	22	39 1001 20	15	28
39 0753 01	3	38	39 1001 20	23	24
39 0761 01	2	94	39 1013 21	25	70
39 0775 04	15	68	39 1040 11	10	54
39 0784 08	7	54	39 1041 19	3	24
39 0789 12	13	82	39 1054 11	7	96
39 0789 12	15	76	39 1181 01	14	82
39 0794 15	9	72	39 1211 11	16	110
39 0797 08	3	58	39 1225 15	6	108
39 0798 15	6	56	39 1283 21	8	4
39 0798 15	9	98	39 1283 21	12	4
39 0798 15	17	70	39 1358 15	13	50
39 0798 15	28	74	39 1508 11	32	106
39 0798 15	33	106	39 1508 11	35	106
39 0807 08	17	76	39 1540 11	19	76
39 0808 08	9	76	39 1553 04	6	110
39 0817 15	8	18	39 1556 04	3	46
39 0840 01	18	70	39 1556 04	3	116
39 0980 04	11	28	39 1671 21	20	24
39 0983 08	6	96	39 1672 04	21	76
39 0987 17	3	14	39 1675 04	3	42
39 0992 06	2	16	39 1677 04	19	34
39 0993 11	5	30	39 1680 04	3	76
39 0999 06	4	38	39 1681 04	5	116
39 0999 06	12	22	39 1714 04	13	78
39 0999 06	24	24	39 1715 19	4	22

Parts Index

Part Number	Figure No.	Page No.	Part Number	Figure No.	Page No.
39 1759 04	17	22	39 2124 15	4	110
39 1765 11	11	34	39 2141 24	3	104
39 1778 02	10	104	39 2141 24	31	106
39 1779 02	15	34	39 2179 24	3	94
39 1783 01	11	110	39 2190 19	7	22
39 1789 24	5	96	39 2198 04	4	8
39 1797 01	10	34	39 2200 11	12	28
39 1864 20	5	12	39 2208 04	12	112
39 1880 20	16	8	39 2208 04	15	24
39 1902 04	4	44	39 2238 01	7	104
39 1907 01	30	106	39 2240 20	6	72
39 1912 04	22	80	39 2249 15	19	78
39 1942 04	22	112	39 2310 04	2	52
39 1943 04	3	96	39 2408 17	12	30
39 1943 04	9	56	39 2420 01	16	56
39 1943 04	10	108	39 2427 04	28	80
39 1943 04	12	42	39 2447 04	23	74
39 1943 04	20	104	39 2476 04	8	110
39 1943 04	28	106	39 2484 15	10	94
39 1945 04	2	112	39 2492 11	8	36
39 1961 04	29	106	39 2495 04	9	116
39 1964 04	14	20	39 2553 04	12	116
39 1970 15	5	46	39 2562 20	2	22
39 197015	11	116	39 2582 04	13	78
39 1981 04	20	14	39 2600 11	3	28
39 2017 19	6	6	39 2608 01	10	4
39 2060 04	10	48	39 2629 21	11	4
39 2060 04	18	50	39 2669 21	13	8
39 2060 04	26	106	39 2680 20	5	68

Parts Index

Part Number	Figure No.	Page No.	Part Number	Figure No.	Page No.
39 2681 20	7	68	52 JZ01 15	2	86
39 2683 20	15	8	52 JZ01 16	3	86
39 2686 20	12	72	52 JZ01 18	6	88
39 2687 20	15	72	52 JZ02 36	2	86
39 2688 20	2	62	52 JZ02 37	3	86
39 2704 11	7	18	52 JZ02 41	6	88
39 2722 04	8	54	52 JZ09 22	1	90
39 2722 04	9	36	52 JZ09 23	1	90
39 2723 15	2	46	52 JZ09 24	1	90
39 2726 12	8	50	52 JZ09 25	1	90
39 2754 04	7	36	52 JZ09 26	6	90
39 2758 21	8A	94	52 JZ09 27	6	90
52 JA00 27	9	20	52 JZ09 28	6	90
52 JZ00 14	2	86	52 JZ09 29	6	90
52 JZ00 15	3	86	52 JZ09 38	4	90
52 JZ00 18	6	88	52 JZ09 39	4	90
52 JZ00 20	2	86	52 JZ09 40	4	90
52 JZ00 21	3	86	52 JZ09 41	4	90
52 JZ00 23	6	88	52 JZ09 46	2	90
52 JZ00 50	3	86	52 JZ09 47	2	90
52 JZ00 51	2	86	52 JZ09 48	2	90
52 Jz00 52	3	86	52 JZ09 49	2	90
52 JZ00 53	2	86	52 JZ09 50	3	90
52 JZ00 54	6	88	52 JZ09 51	3	90
52 JZ00 55	6	88	52 JZ09 52	3	90
52 JZ00 97	2	86	52 JZ09 53	3	90
52 JZ00 98	3	86	56 JZ05 3E	5	90
52 JZ00 99	4	86	59 0100 05	23	106
52 JZ01 00	6	88	59 0400 06	7	82

Parts Index

Part Number	Figure No.	Page No.	Part Number	Figure No.	Page No.
59 0400 14	15	42	DD 1610 71	12	36
59 0400 38	2	2	DD 1613 81	5	54
59 0400 38	4	26	DD 1911 42	30	80
59 0400 38	11	20	DD 2010 11	2	110
59 0400 38	16	22	DE 1510 06	3	62
59 0400 38	17	24	DE 1510 08	5	62
59 0400 50	8	2	DE 1510 12	4	62
59 1100 08	2B	12	DE 1510 15	11	64
59 1200 03	2A	12	DE 1510 37	6	66
59 1500 14	1	12	DE 1510 43	7	66
59 2000 36	3	20	DE 1510 45	8	66
59 2000 36	3	22	DE 1510 46	4	66
59 2100 23	14	22	DE 1510 47	5	66
59 2100 24	17	14	DE 1510 48	3	66
AA 1210 45	13	4	DE 1910 10	5	64
CB 1011 14	2	36	DE 1910 11	4	64
CB 1210 39	8	32	DE 1910 28	14	64
CB 1210 42	8	32	DE 1910 29	13	64
CL 2010 23	12	104	DE 1910 30	10	64
CL 2010 42	7	98	DE 1910 31	8	64
CS 1011 28	9	8	DE 1910 32	9	64
DD 1010 97	13	30	DE 1910 33	6	64
DD 1110 11	10A	42	DE 1910 34	7	64
DD 1110 12	11	42	DE 1910 35	15	64
DD 1110 18	8	42	DE 2010 16	12	64
DD 1110 48	9	42	DF 1611 02	8	58
DD 1211 81	19	24	DF 1614 13	4	52
DD 1410 22	6	94	DG 1010 29	3	6
DD 1510 09	14	68	DG 1013 39	11	18

Parts Index

Part Number	Figure No.	Page No.	Part Number	Figure No.	Page No.
DG 1014 18	7	24	DJ 1510 33	11	72
DG 1210 02	8	34	DJ 1510 35	5	72
DG 1611 21	2	96	DJ 1510 36	14	50
DG 1910 45	4	76	DJ 1510 37	15	50
DH 1010 48	5	8	DJ 1510 47	19	50
DH 1011 25	14	30	DJ 1510 53	1	72
DH 1013 80	4	42	DJ 1510 72	7	66
DH 1013 80	8	20	DJ 1510 73	8	66
DH 1013 88	7	26	DJ 1510 74	9	66
DH 1013 92	7	8	DJ 1510 75	10	66
DH 1015 09	10	18	DJ 1510 88	14	72
DH 1016 48	14	28	DJ 1510 92	18	72
DH 1017 81	2	40	DJ 151057	19	62
DH 1017 84	6	22	DJ 1610 69	10	56
DH 1110 13	10B	42	DJ 1610 72	5	110
DH 1110 15	9	42	DJ 1610 79	6	116
DH 1210 38	12	34	DJ 1610 80	7	116
DH 1211 69	3	32	DJ 1611 22	4	54
DH 1510 29	14	76	DJ 1611 28	11	54
DH 1611 00	6	54	DJ 1611 29	3	54
DH 1611 21	4	58	DJ 1612 80	2	66
DH 1611 45	5	58	DJ 1710 33	27	74
DH 1611 46	11	58	DJ 1710 34	20	50
DH 1611 94	5	52	DJ 1811 04	6	82
DH 1612 40	7	58	DJ 1910 06	3	64
DH 1810 14	3	48	DJ 1910 23	1	64
DH 1810 22	27	80	DJ 1910 54	4	78
DH 1810 23	11	82	DJ 1910 55	6	78
DJ 1410 08	8	96	DJ 1910 83	6	78

Parts Index

Part Number	Figure No.	Page No.	Part Number	Figure No.	Page No.
DJ 2010 72	13	110	DS 1099 05	14	8
DJ 2011 08	16	64	DS 1211 16	2	34
DJ 2012 06	3	108	DS 1211 26	7	34
DJ 2012 07	4	108	DS 1410 09	1	94
DJ 2210 03	9	78	DS 1410 13	9	94
DJ 2210 04	10	78	DS 1410 18	4	94
DK 1410 28	8B	94	DS 1510 25	13	76
DK 2010 78	13	112	DS 1510 29	6	60
DL 1610 15	13	56	DS 1510 31	5	60
DL 1910 14	19	78	DS 1510 38	7	62
DL 1910 20	8	98	DS 1510 48	2	60
DP 1011 07	5	28	DS 1510 49	3	60
DP 1011 11	6	28	DS 1510 52	5	60
DP 1011 14	17	28	DS 1510 53	6	60
DP 1011 16	11	28	DS 1510 56	3	68
DP 1011 65	4	10	DS 1510 68	7	72
DP 1011 98	7	4	DS 1510 69	18	72
DP 1012 43	7	28	DS 1510 73	8	72
DP 1012 69	6	24	DS 1510 74	10	72
DP 1611 44	9	110	DS 1510 87	12	68
DP 1611 45	7	110	DS 1510 89	11	68
DP 1612 60	8	48	DS 1510 90	21	74
DP 1710 06	7	48	DS 1510 91	14	68
DP 1710 06	21	50	DS 1510 92	16	68
DP 2210 24	2	114	DS 1510 94	17	70
DS 1011 17	8	30	DS 1510 94	28	74
DS 1011 54	6	12	DS 1510 95	15	68
DS 1012 15	8	24	DS 1610 69	13	34
DS 1012 76	3	8	DS 1610 77	6	58

Parts Index

Part Number	Figure No.	Page No.	Part Number	Figure No.	Page No.
DS 1611 12	2	58	DS 2010 25	11	112
DS 1611 13	1	58	DS 2010 29	4	112
DS 1611 25	1	56	DS 2010 36	13	104
DS 1611 88	4	116	DS 2010 79	8	94
DS 1710 07	9	50	DS 2010 81	7	112
DS 1710 13	12	50	DS 2110 06	3	44
DS 1710 14	17	50	DS1612 87	5	56
DS 1710 15	6	50	DU 1010 85	7	20
DS 1810 07	14	78	DU 1012 13	19	14
DS 1810 08	15	78	DU 2010 46	24	80
DS 1810 09	16	78	DX 1210 11	5	34
DS 1810 10	17	78	DX 1510 22	25	74
DS 1810 12	21	84	DX 1510 81	1	72
DS 1810 15	8	82	DX 1610 44	9	112
DS 1810 16	9	82	DX 1610 45	10	112
DS 1810 16	15	82	DX 1610 52	4	102
DS 1810 18	2	48	DX 1910 01	25	80
DS 1810 44	1	78	DX 1910 09	29	80
DS 1810 60	11	98	DZ 1410 75	13	94
DS 1910 07	5	112	GF 2010 53	15	112
DS 1910 11	5	76	GH 2010 12	5	108
DS 1910 15	5	78	JA 1134 02	6	46
DS 1910 16	26	80	JA 1134 03	1	46
DS 1910 18	12	78	JA 1134 04	10	116
DS 1910 33	31	80	JA 1316 04	12	68
DS 1910 52	8	78	JA 1316 06	26	70
DS 1910 53	3	100	JA 1316 07	16	
DS 1910 54	4	100	JA 1510 13	5	82
DS 2010 22	16	112	JA 1610 03	1	76

Parts Index

Part Number	Figure No.	Page No.	Part Number	Figure No.	Page No.
JA 3516 00	7	40	JA 5410 12	13	20
JA 3516 02	11	40	JA 5410 14	12	20
JA 3516 04	8	40	JA 5410 16	2	38
JA 3516 06	9	40	JA 5410 19	13	22
JA 3516 08	12	40	JA 5410 20	18	22
JA 3516 09	13	40	JA 5410 21	15	22
JA 3516 18	14	40	JA 5410 27	19	22
JA 3516 19	16	40	JA 5410 28	14	42
JA 3516 24	15	40	JA 5410 32	20	22
JA 3516 26	9	40	JA 5410 34	10	22
JA 3516 27	11	40	JA 5410 44	2	26
JA 5110 08	4	2	JA 5412 05	3	26
JA 5110 28	2	4	JA 5412 11	11	24
JA 5110 29	7	2	JA 5412 12	16	24
JA 5112 11	1	6	JA 5412 16	14	24
JA 5112 16	2	8	JA 5412 21	8	26
JA 5210 15	8	10	JA 5412 25	12	24
JA 5210 17	8	8	JA 5412 33	10	26
JA 5210 18	10	8	JA 5412 35	10	20
JA 5210 19	11	8	JA 5412 36	9	24
JA 5210 19	18	34	JA 5412 37	10	24
JA 5210 19	22	24	JA 5510 02	4	14
JA 5310 07	14	28	JA 5510 04	7	14
JA 5310 15	9	12	JA 5510 08	15	14
JA 531012	8	12	JA 5510 09	16	14
JA 5410 05	8	22	JA 5514 06	2	28
JA 5410 05	9	26	JA 5514 16	12	28
JA 5410 10	5	20	JA 5514 20	13	28
JA 5410 11	4	20	JA 5612 09	6	18

Parts Index

Part Number	Figure No.	Page No.	Part Number	Figure No.	Page No.
JA 5612 11	12	18	JB 1312 24	23	74
JA 5812 21	6	32	JB 1718 02	11	94
JA 5812 32	21	32	JB 1812 39	3	102
JA 5812 33	9	32	JB 1814 03	12	56
JA 5812 39	10	32	JB 1814 12	3	56
JA 5812 40	11	32	JB 1814 16	2	56
JA 5813 14	17	32	JB 1814 21	2	56
JA 5814 06	5	4	JB 4010 13	6	112
JA 5910 40	3	36	JB 4014 00	2	78
JA 6210 02	9	30	JB 4014 01	3	78
JA 6210 06	11	30	JB 4022 02	7	10
JA 6212 01	1	30	JB 5110 18	9	4
JA 6212 06	2	30	JB 5310 21	10	12
JA 6214 02	4	40	JB 5514 08	5	28
JA 6214 06	5	40	JB 5514 11	8	28
JA 6214 10	3	40	JB 5514 12	10	28
JA 6214 14	1	40	JB 5812 02	12	32
JB 1130 05	10	36	JB 5812 04	13	32
JB 1220 09	7	50	JB 5910 59	6	36
JB 1220 10	2B	50	JD 1318 10	9	62
JB 1220 11	2A	50	JD 1318 11	8	62
JB 1220 16	1	50	JD 1318 13	1	66
JB 1310 17	12	62	JD 3512 06	16	42
JB 1310 17	1A	68	JD 4018 03	21	112
JB 1310 18	2	68	JD 5110 08	3	4
JB 1310 18	10	62	JD 5110 10	3	2
JB 1310 19	1	68	JD 5210 02	1	10
JB 1310 19	13	62	JD 5310 04	11	12
JB 1310 22	4	68	JD 5410 00	19	22

Parts Index

Part Number	Figure No.	Page No.	Part Number	Figure No.	Page No.
JD 5514 00	18	28	JN 1220 06	5	50
JD 5610 02	7	16	JN 1310 03	11	62
JD 5610 04	5	16	JN 1312 11	24	74
JD 5610 06	4	16	JN 1318 00	2	64
JD 5610 11	3	16	JN 1318 04	17	64
JD 5612 03	4	18	JN 1710 00	4	96
JD 5612 04	5	18	JN 1810 01	1	104
JD 6210 01	7	30	JN 1810 03	16	104
JE 3510 02	1	42	JN 1810 04	24	106
JE 3512 03	5	42	JN 1810 05	11	104
JE 3512 04	6	42	JN 1810 10	5	104
JE 5310 01	5	12	JN 1810 11	5	104
JE 5412 09	13	24	JN 1810 14	12	98
JE 5412 10	6	26	JN 1810 17	17	104
JE 5412 11	2	24	JN 1810 18	18	104
JE 5412 12	13	26	JN 1810 19	14	104
JE 5512 01	5	14	JN 1810 19	36	106
JE 5512 06	11	14	JN 1810 21	19	104
JE 5514 01	6	24	JN 1810 23	21	106
JE 5514 03	8	28	JN 1810 24	22	106
JE 5514 05	10	28	JN 1812 06	14	62
JF 4018 01	7	112	JN 1812 11	15	62
JG 5514 47	6	28	JN 1814 06	13	98
JZ 5412 37	13	26	JN 1910 00	1	44
JK 1210 07	18	84	JN 2310 00	1	114
JK 1210 09	20	84	JN 2328 01	10	110
JK 4020 00	13	42	JP 3510 07	2	42
JN 1132 00	10	58	JV 4022 05	18	112
JN 1220 00	3	50	JW 1318 01	1	66

Parts Index

Part Number	Figure No.	Page No.	Part Number	Figure No.	Page No.
JW 1318 02	12	66	JZ 1134 07	12	46
JW 1318 05	2	64	JZ 1210 55	1	82
JW 1318 06	9	62	JZ 1210 56	1	82
JW 1318 07	6	66	JZ 1210 57	23	84
JW 1318 09	9	66	JZ 1210 58	24	84
JW 1318 10	11	66	JZ 1210 59	16	82
JW 1510 05	16	82	JZ 1210 60	17	82
JW 1510 07	17	82	JZ 1210 61	23	84
JW 1510 23	19	84	JZ 1210 62	25	84
JW 1812 41	14	62	JZ 1210 63	16	82
JW 2330 00	12	26	JZ 1210 64	17	82
JW 3514 00	6	10	JZ 1212 06	4	60
JW 4010 11	12	110	JZ 1310 11	1	60
JW 5410 00	18	24	JZ 1310 12	1	60
JW 5410 05	5	24	JZ 1310 14	1	60
JW 5612 05	1	18	JZ 1310 41	1	60
JW 5612 06	2	18	JZ 1310 42	1	60
JW 5612 08	3	18	JZ 1312 13	4	60
JW 5910 28	5	36	PF 1312 22	4	60
JZ 1110 29	1	48	JZ 1316 01	19	62
JZ 1113 10	1	48	JZ 1316 11	19	62
JZ 1130 01	1	52	JZ 1318 03	22	74
JZ 1130 11	3	52	JZ 1318 91	22	74
JZ 1130 15	1	54	JZ 1510 00	1	82
JZ 1130 17	2	54	JZ 1510 04	16	82
JZ 1134 00	8	46	JZ 1510 06	17	82
JZ 1134 02	10	46	JZ 1510 23	10	82
JZ 1134 03	9	46	JZ 1510 23	23	80
JZ 1134 05	11	46	JZ 1510 24	9	108

Parts Index

Part Number	Figure No.	Page No.	Part Number	Figure No.	Page No.
JZ 1510 36	12	82	JZ 2326 00	21	80
JZ 1510 43	1	82	JZ 2330 00	7	88
JZ 1510 57	1	82	JZ 2330 12	7	88
JZ 1510 59	17	82	JZ 2330 24	7	88
JZ 1510 61	16	82	JZ 2330 36	7	88
JZ 1610 02	2	76	JZ 2330 70	7	88
JZ 1610 04	6	76	JZ 2330 86	7	88
JZ 1610 06	20	76	JZ 3510 01	1	42
JZ 1610 23	4	78	JZ 3512 05	7	42
JZ 1612 02	1	100	JZ 3512 06	7	42
JZ 1612 03	2	100	JZ 4010 00	1	108
JZ 1612 04	3	100	JZ 4010 01	2	108
JZ 1612 10	3	100	JZ 4010 06	1	110
JZ 1612 21	1	100	JZ 4010 12	8	104
JZ 1810 02	34	106	JZ 4010 13	6	112
JZ 1810 03	4	104	JZ 4010 15	15	104
JZ 1810 04	19	110	JZ 4014 03	7	78
JZ 1810 04	37	106	JZ 4016 00	1	112
JZ 1812 00	2	98	JZ 4018 00	8	112
JZ 1812 06	2	104	JZ 4018 01	9	112
JZ 1812 08	27	106	JZ 4022 00	3	112
JZ 1814 01	8	56	JZ 4022 02	18	112
JZ 1814 02	4	56	JZ 4022 09	3	112
JZ 1814 06	14	56	JZ 4024 03	1	98
JZ 1910 06	1	44	JZ 4024 06	3	98
JZ 2312 01	1	116	JZ 4024 07	4	98
JZ 2312 02	2	116	JZ 5010 00	1	20
JZ 2312 04	8	116	JZ 5010 01	1	20
JZ 2326 00	5	94	JZ 5010 09	1	20

Parts Index

Part Number	Figure No.	Page No.	Part Number	Figure No.	Page No.
JZ 5110 04	1	8	JZ 5512 12	11	14
JZ 5110 16	3	4	JZ 5512 13	5B	14
JZ 5110 20	5	2	JZ 5514 09	1	28
JZ 5110 21	1	2	JZ 5514 12	9	28
JZ 5110 29	1	2	JZ 5514 13	1	28
JZ 5112 03	2	6	JZ 5514 15	9	28
JZ 5310 03	4	12	JZ 5610 00	1	16
JZ 5310 07	4	12	JZ 5610 02	6	16
JZ 5412 02	5	26	JZ 5614 01	9	18
JZ 5412 14	21	24	JZ 5710 00	1	38
JZ 5412 35	1	26	JZ 5710 01	5	38
JZ 5510 01	1	14	JZ 5810 04	6	2
JZ 5510 03	8	14	JZ 5810 04	9	34
JZ 5510 04	18	14	JZ 5810 06	14	34
JZ 5510 06	1	14	JZ 5810 07	1	34
JZ 5510 08	8	14	JZ 5810 09	16	34
JZ 5510 10	1	14	JZ 5810 10	3	34
JZ 5512 00	6	14	JZ 5810 11	4	34
JZ 5512 01	5	14	JZ 5810 12	6	34
JZ 5512 02	2	14	JZ 5810 29	17	34
JZ 5512 03	5A	14	JZ 5812 09	1	32
JZ 5512 04	14	14	JZ 5812 10	6	4
JZ 5512 05	13	14	JZ 5812 16	19	32
JZ 5512 06	9A	14	JZ 5812 20	18	32
JZ 5512 07	11	14	JZ 5812 22	20	32
JZ 5512 08	12	14	JZ 5812 27	1	32
JZ 5512 09	10	14	JZ 5814 02	4	4
JZ 5512 10	9	14	JZ 5910 43	4	36
JZ 5512 11	10	14	JZ 6210 00	10	30

